

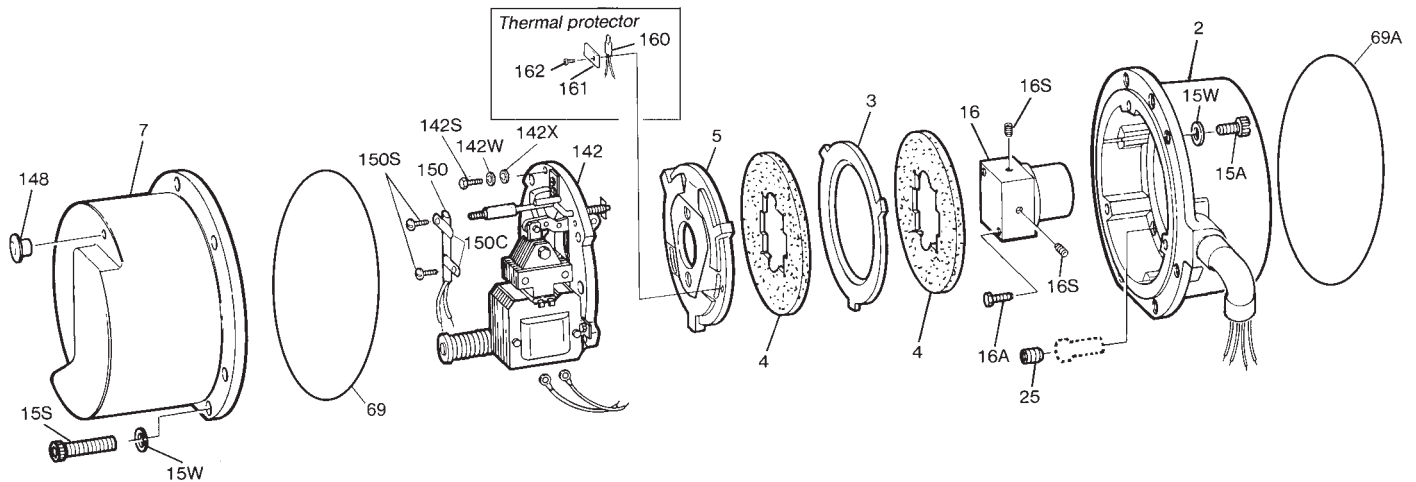
## Parts List for 87,300-00 Series Brakes (NEMA 4)

### Information required when ordering replacement parts:

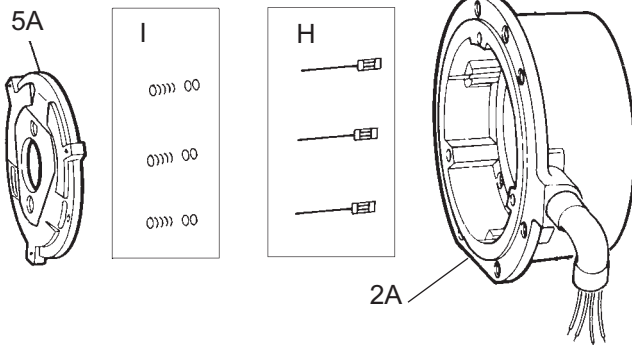
- Give part number of parts or kits needed, brake model number, and brake serial number. The brake model and serial number may identify special brakes not covered by this parts list.
- When ordering hubs, specify shaft diameter (hub bore) and keyway.

For installation and service instructions, see P/N 8-078-927-03.

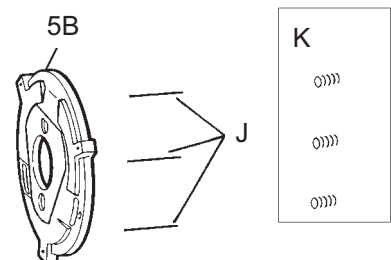
Detailed service instruction sheet is included with each kit.



### Vertical Above Components (brake above motor)



### Vertical Below Components (brake below motor)

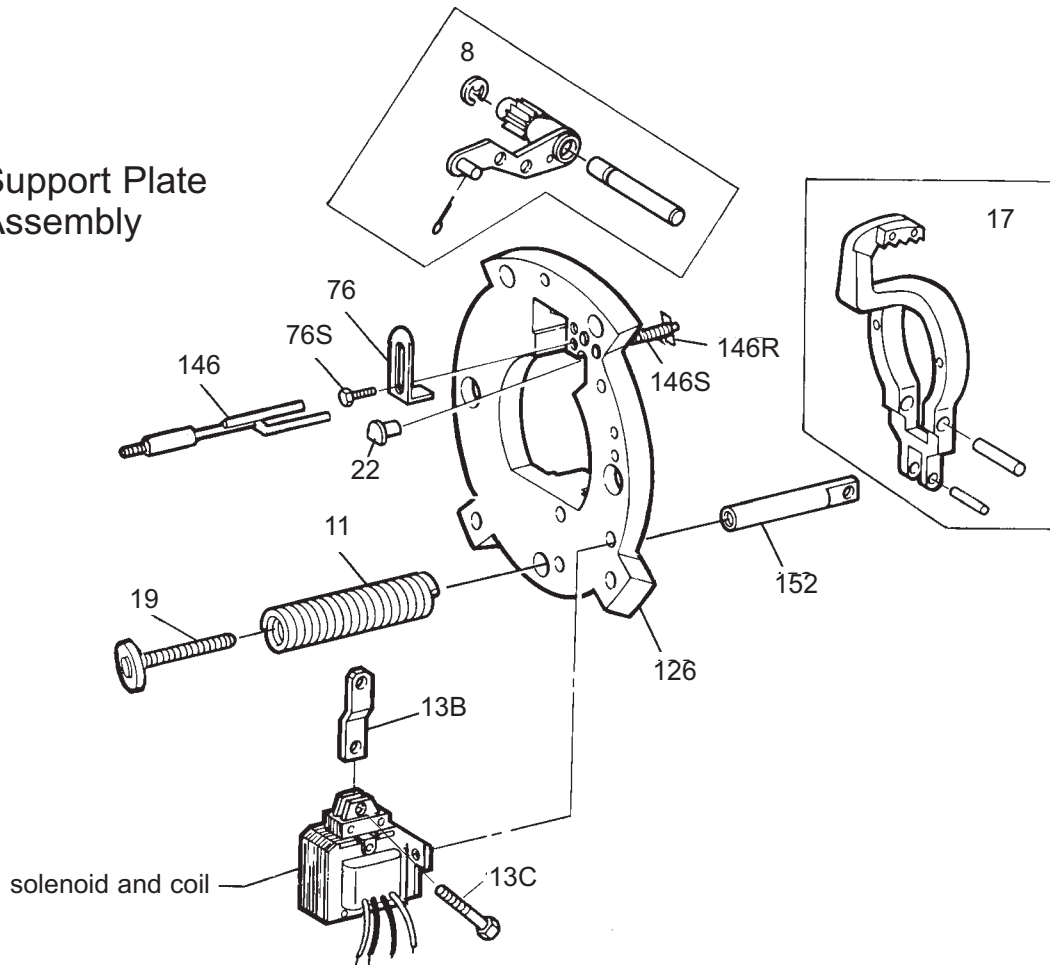


| Item                        | Description  | Part Number↓                                 | Style               |   | Motor Mounted |              |              |              |              |              |              |
|-----------------------------|--|--|---------------------|---|---------------|--------------|--------------|--------------|--------------|--------------|--------------|
|                             |  |  | Torque (lb-ft)      |   | 10            | 15           | 25           | 35           | 50           | 75           | 105          |
|                             |  |  | Brake Model Number→ |   | 1-087-314-00  | 1-087-324-00 | 1-087-334-00 | 1-087-344-00 | 1-087-354-00 | 1-087-364-00 | 1-087-384-00 |
| 2<br><i>consult factory</i> | Endplate assembly<br><i>(includes union and lead wires with fiberglass tubing)</i> | 5-50-7031-00<br>5-50-7032-00<br>5-50-7033-00 | 1                   | 1 | 1             | 1            | 1            | 1            | 1            | 1            | 1            |
| 3                           | Stationary disc kit (horiz. or vert.)  | 5-66-8372-00                                 | 1                   | 1 | 1             | 1            | 1            | 1            | 1            | 2            |              |
| 4                           | Friction disc  | 5-66-8486-00                                 | 1                   | 1 | 1             | 1            | 2            | 2            | 3            | 3            |              |
| 5                           | Pressure plate   | 8-005-702-06                                 | 1                   | 1 | 1             | 1            | 1            | 1            | 1            | 1            |              |
| 7                           | Housing & seal assembly  | 5-07-7053-00                                 | 1                   | 1 | 1             | 1            | 1            | 1            | 1            | 1            |              |
| 15A                         | Cap screw – housing removal  | 9-17-3210-00                                 | 1                   | 1 | 1             | 1            | 1            | 1            | 1            | 1            |              |
| 15S                         | Cap screw – housing  | 9-17-3224-00                                 | 7                   | 7 | 7             | 7            | 7            | 7            | 7            | 7            |              |
| 15W                         | Lock washer  | 9-45-1332-00                                 | 8                   | 8 | 8             | 8            | 8            | 8            | 8            | 8            |              |
| 16                          | Hub and set screw assembly   | 5-16-7123-00                                 | 1                   | 1 | 1             | 1            | 1            | 1            | 1            | 1            |              |
|                             | Hub and set screw assembly   | 5-16-7124-00                                 |                     |   |               |              |              |              |              | 1            |              |
| 16A                         | Screw-hub positioning  | 9-10-3032-00                                 | 1                   | 1 | 1             | 1            | 1            | 1            | 1            | 1            |              |
| 25                          | Pipe plug  | 9-33-0184-00                                 | 4                   | 4 | 4             | 4            | 4            | 4            | 4            | 4            |              |
| 69                          | O-ring (housing)   | 8-073-002-08                                 | 1                   | 1 | 1             | 1            | 1            | 1            | 1            | 1            |              |
| 69A                         | O-ring (endplate)  | 8-073-002-03                                 | 1                   | 1 | 1             | 1            | 1            | 1            | 1            | 1            |              |
| 150                         | Space heater 115v (optional)   | 9-62-2057-00                                 | 1                   | 1 | 1             | 1            | 1            | 1            | 1            | 1            |              |
|                             | Space heater 230v (optional)   | 9-62-2060-00                                 | 1                   | 1 | 1             | 1            | 1            | 1            | 1            | 1            |              |
| 150C                        | Heater clamp   | 9-61-0077-00                                 | 2                   | 2 | 2             | 2            | 2            | 2            | 2            | 2            |              |
| 150S                        | Heater mounting screw  | 9-25-7322-00                                 | 2                   | 2 | 2             | 2            | 2            | 2            | 2            | 2            |              |

| Item                                 | Description   | Part Number ↓                                | Torque (lb-ft)       | 10   | 15   | 25           | 35           | 50           | 75           | 105          |
|--------------------------------------|---|--|----------------------|--|--|--------------|--------------|--------------|--------------|--------------|
|                                      |   |  | Brake Model Number → | 1-087-314-00   | 1-087-324-00   | 1-087-334-00 | 1-087-344-00 | 1-087-354-00 | 1-087-364-00 | 1-087-384-00 |
|                                      |   |  | 142*                 | Support plate assembly<br>Support plate assembly<br>Support plate assembly<br>Support plate assembly | 5-42-7301-00<br>5-42-7303-00<br>5-42-7305-00<br>5-42-7307-00 | 1            | 1            | 1            | 1            | 1            |
| 142S                                 | Screw - support plate   | 9-16-3014-00                                 | 3                    | 3  | 3  | 3            | 3            | 3            | 3            | 3            |
| 142W                                 | Conical spring washer   | 9-46-0006-00                                 | 3                    | 3  | 3  | 3            | 3            | 3            | 3            | 3            |
| 142X                                 | Flat washer, 1/4 I.D. x 9/16 O.D.   | 9-46-0005-00                                 | 3                    | 3  | 3  | 3            | 3            | 3            | 3            | 3            |
| 148                                  | Release knob  | 8-148-703-00                                 | 1                    | 1  | 1  | 1            | 1            | 1            | 1            | 1            |
| 160                                  | Thermal protector (TSW2)  | 9-62-8017-00                                 | 1                    | 1  | 1  | 1            | 1            | 1            | 1            | 1            |
| 161                                  | Lock plate  | 8-076-713-00                                 | 1                    | 1  | 1  | 1            | 1            | 1            | 1            | 1            |
| 162                                  | Screw - lock plate  | 9-14-2704-00                                 | 1                    | 1  | 1  | 1            | 1            | 1            | 1            | 1            |
| <b>Vertical Above Modification**</b> |   |  |                      |  |  |              |              |              |              |              |
| 2A<br><i>consult factory</i>         | Endplate assembly<br><i>(includes union, lead wires with fiberglass tubing and vertical above pins)</i> | 5-50-7034-00<br>5-50-7035-00<br>5-50-7036-00 | 1                    | 1  | 1  | 1            | 1            | 1            | 1            | 1            |
| I                                    | Vertical above spring and spacer kit  | 5-66-3171-00                                 | 1                    | 1  | 1  | 1            | 1            | 1            | 1            | 1            |
| 5A                                   | Pressure plate  | 8-005-702-07                                 | 1                    | 1  | 1  | 1            | 1            | 1            | 1            | 1            |
| H                                    | Vertical above pin  | 8-061-711-00                                 | 3                    | 3  | 3  | 3            | 3            | 3            | 3            | 3            |
|                                      | Vertical above pin  | 8-061-712-00                                 |                      |  |  |              |              | 3            | 3            |              |
|                                      | Vertical above pin  | 8-061-712-00                                 |                      |  |  |              |              |              |              | 3            |
| <b>Vertical Below Modification**</b> |   |  |                      |  |  |              |              |              |              |              |
| 5B                                   | Pressure plate - less pins (Item J)   | 8-005-702-08                                 |                      |  |  |              |              | 1            | 1            | 1            |
| J                                    | Vertical mounting pin   | 8-061-715-00                                 |                      |  |  |              |              | 3            | 3            |              |
|                                      | Vertical mounting pin   | 8-061-716-00                                 |                      |  |  |              |              |              |              | 3            |
| K                                    | Vertical below spring kit - green   | 5-66-3172-00                                 |                      |  |  |              |              |              |              |              |
|                                      | Vertical below spring kit - red   | 5-66-3173-00                                 |                      |  |  |              |              | 1            | 1            | 1            |

\*Coil (kit V) is separate.      \*\*Must also order Item 3 (Table 1) for stationary disc, horizontal or vertical, kit.

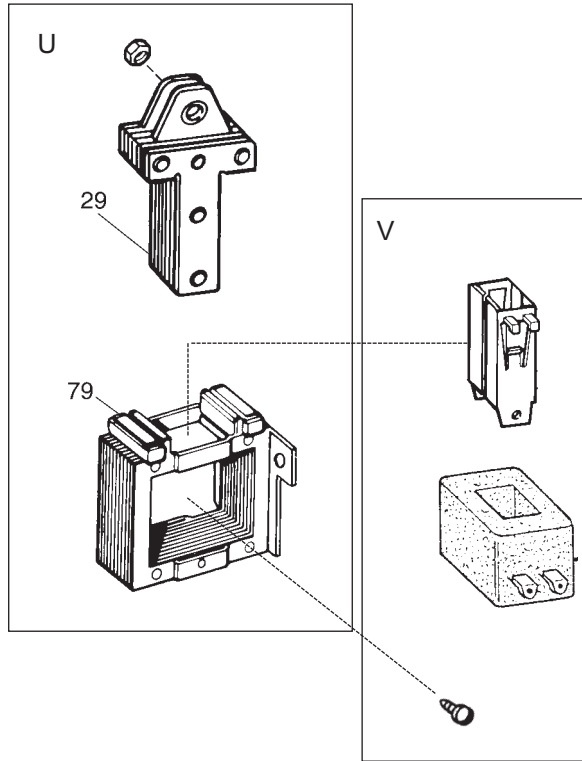
## Support Plate Assembly



**TABLE 3-Components of Support Plate-5-42-730X-00**

| Item     | Description  | Part Number  | Torque (lb-ft) |    |         |              |
|----------|--|--|----------------|----|---------|--------------|
|          |  |  | 10             | 15 | 25 & 50 | 35, 75 & 105 |
| 126      | Support plate and bearing assembly<br>Support plate and bearing assembly   | 5-26-7007-00<br>5-26-7008-00                                 | 1              | 1  | 1       | 1            |
| 8        | Solenoid lever and pinion kit  | 5-66-7371-00   | 1              | 1  | 1       | 1            |
| 17       | Lever arm kit  | 5-66-7271-00   | 1              | 1  | 1       | 1            |
| 19 & 152 | Pressure spring tube kit   | 5-66-7471-00   | 1              | 1  | 1       | 1            |
| 11       | Pressure spring kit-black (formerly blue)<br>Pressure spring kit-white (formerly yellow)<br>Pressure spring kit-orange (formerly red)<br>Pressure spring kit-purple (formerly green) | 5-66-3072-00<br>5-66-3074-00<br>5-66-3076-00<br>5-66-3078-00 | 1              | 1  | 1       | 1            |
| U        | No. 5 AC solenoid kit<br>No. 6 AC solenoid kit<br>No. 8 AC solenoid kit  | 5-66-5051-00<br>5-66-5061-00<br>5-66-5081-00                 | 1              | 1  | 1       | 1            |
| 13       | Solenoid link<br>Solenoid link   | 8-013-703-00<br>8-013-704-00                                 | 1              | 1  | 1       | 1            |
| 13C      | Solenoid link cap screw<br>Solenoid link cap screw<br>Solenoid link cap screw  | 8-157-701-00<br>8-157-702-00<br>8-157-703-00                 | 1              | 1  | 1       | 1            |
| 22       | Solenoid lever stop  | 8-022-203-00   | 1              | 1  | 1       | 1            |
| 76       | Wrap spring stop   | 8-076-703-00   | 1              | 1  | 1       | 1            |
| 76S      | Screw-stop   | 9-25-7331-00   | 2              | 2  | 2       | 2            |
| 146      | Release rod  | 5-28-7015-00   | 1              | 1  | 1       | 1            |
| 146R     | Spring retainer  | 8-076-706-00   | 1              | 1  | 1       | 1            |
| 146S     | Release spring   | 9-70-1525-00   | 1              | 1  | 1       | 1            |

# Solenoid and Coil Assembly



**TABLE 4 - Coil Assembly**

| Item | Description               | Part Number | Torque (lb-ft) |    |         |              |   |
|------|---------------------------|-------------|----------------|----|---------|--------------|---|
|      |                           |             | 10             | 15 | 25 & 50 | 35, 75 & 105 |   |
| V    | No.5<br>Coil Kit<br>60 Hz | 230/460 Vac | 5-96-6509-05   | 1  |         |              |   |
|      |                           | 115 Vac     | 5-96-6501-05   | 1  |         |              |   |
|      |                           | 230 Vac     | 5-96-6502-05   | 1  |         |              |   |
|      |                           | 460 Vac     | 5-96-6504-05   | 1  |         |              |   |
|      |                           | 575 Vac     | 5-96-6505-05   | 1  |         |              |   |
|      | No.6<br>Coil Kit<br>60 Hz | 230/460 Vac | 5-96-6609-05   |    | 1       | 1            |   |
|      |                           | 115 Vac     | 5-96-6601-05   |    | 1       | 1            |   |
|      |                           | 230 Vac     | 5-96-6602-05   |    | 1       | 1            |   |
|      |                           | 460 Vac     | 5-96-6604-05   |    | 1       | 1            |   |
|      |                           | 575 Vac     | 5-96-6605-05   |    | 1       | 1            |   |
|      | No.8<br>Coil Kit<br>60 Hz | 230/460 Vac | 5-96-6809-05   |    |         |              | 1 |
|      |                           | 115 Vac     | 5-96-6801-05   |    |         |              | 1 |
|      |                           | 230 Vac     | 5-96-6802-05   |    |         |              | 1 |
|      |                           | 460 Vac     | 5-96-6804-05   |    |         |              | 1 |
|      |                           | 575 Vac     | 5-96-6805-05   |    |         |              | 1 |

**TABLE 5 - Contents of Kits and Assemblies (contents may vary)**

| Item Designation | Kit Description  | Item Designation | Kit Description   |
|------------------|--|------------------|---|
| 3                | Stationary disc kit (5-66-8372-00)<br>1 – Stationary disc<br>(horizontal or vertical)  | 17               | Lever arm kit (5-66-7271-00)<br>1 – Lever arm assembly<br>1 – Lever arm pivot pin<br>1 – Spring tube pivot pin  |
| 4                | Friction disc kit (5-66-8486-00)<br>1 – Friction disc  | 19 and 152       | Pressure spring tube kit (5-66-7471-00)<br>1 – Pressure spring tube<br>1 – Pressure spring screw<br>1 – Spring tube pivot pin                                   |
| I                | Vertical above spring and spacer kit (5-66-3171-00)<br>9 – Vertical above mounting springs<br>9 – Vertical above spring spacers  | 11               | Pressure spring kit (5-66-307X-00)<br>1-Pressure spring   |
| K                | Vertical below spring kit-green (5-66-3172-00)<br>3 – Vertical below springs-green   | U                | AC solenoid kit (5-66-50X1-00)<br>1 – Plunger<br>1 – Frame<br>3 – Solenoid mounting screws<br>3 – Solenoid mtg. conical spring washers<br>1 – Solenoid link nut |
|                  | Vertical below spring kit-red (5-66-3173-00)<br>3 – Vertical below springs-red   |                  |   |
| 8                | Solenoid lever and pinion kit (5-66-7371-00)<br>1 – Solenoid lever and pinion assembly<br>1 – Cotter pin<br>1 – Solenoid lever pivot pin<br>1 – Pivot pin retaining ring | V                | Coil assembly (5-96-6XXX-05) AC<br>1 – Coil<br>2 – Plunger guides<br>2 – Plunger guide screws   |