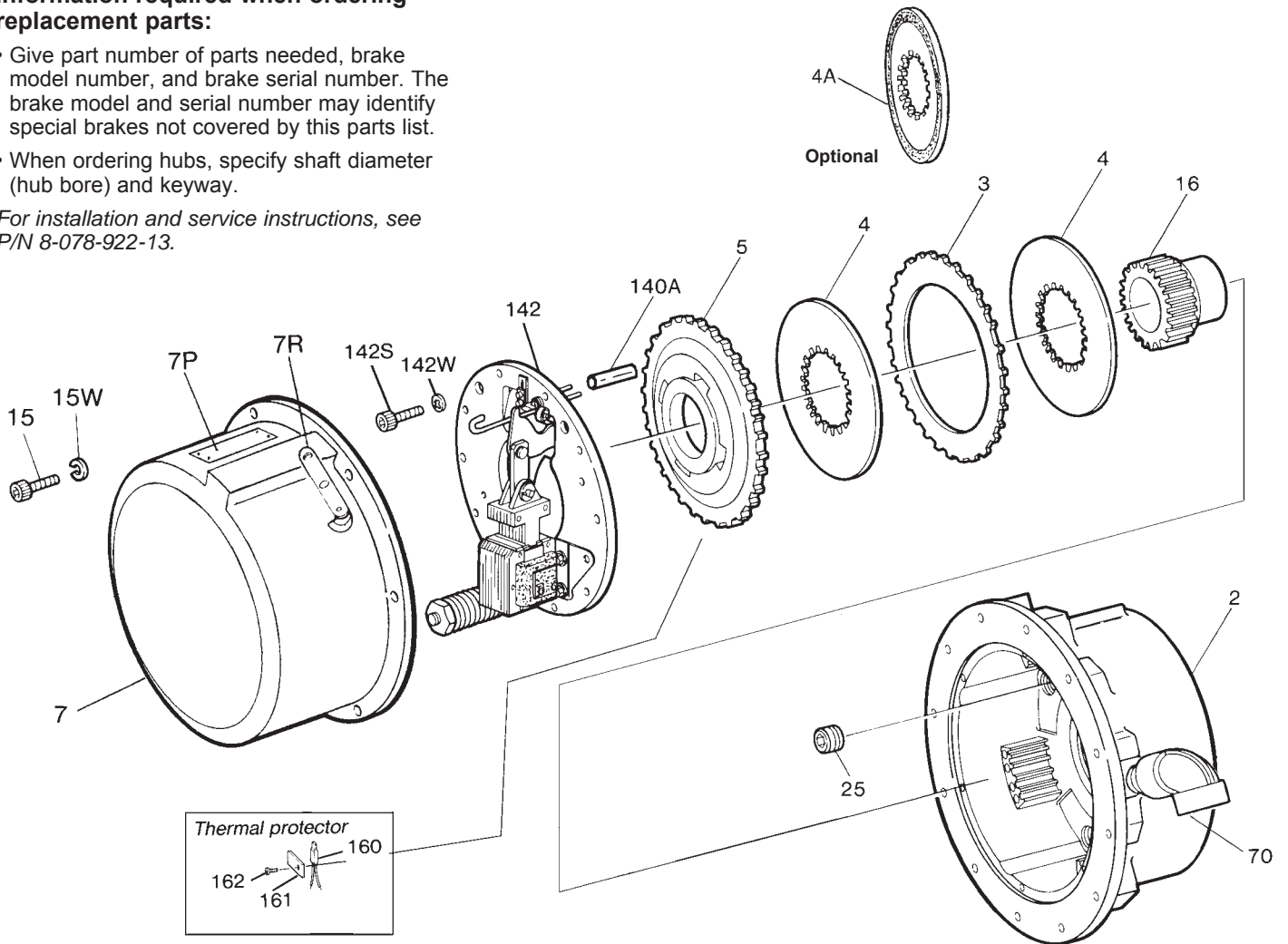


Parts List for 82,3XX-00 Series Brakes - Close-Coupled & Floor-Stand Mount

Information required when ordering replacement parts:

- Give part number of parts needed, brake model number, and brake serial number. The brake model and serial number may identify special brakes not covered by this parts list.
- When ordering hubs, specify shaft diameter (hub bore) and keyway.

For installation and service instructions, see P/N 8-078-922-13.



Floor Stand Components

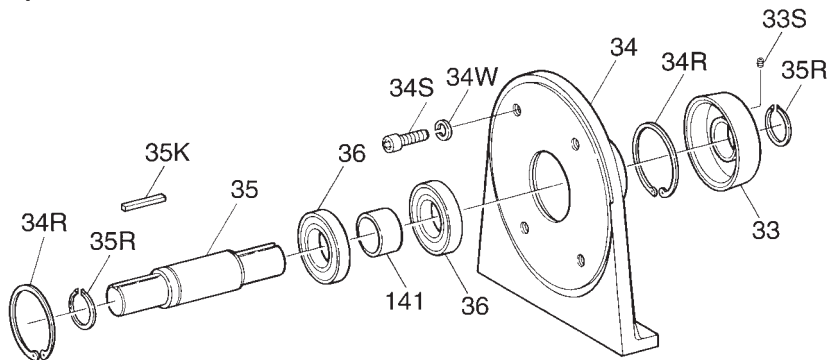


TABLE 1

Components of Motor Mounted and Floor Mounted Brakes

Item No.	Description	Part Number ↓	Style		Motor Mounted						Floor Mounted					
			Torque (lb-ft)		125		175		230		330		125	175	230	330
			Enclosure Rating		56	23	56	23	56	23	56	23	23	23	23	23
			Brake Model Number →		1-082-314-00*	1-082-315-00	1-082-324-00*	1-082-325-00	1-082-334-00*	1-082-335-00	1-082-344-00*	1-082-345-00	1-082-316-00	1-082-326-00	1-082-336-00	1-082-346-00
2	Endplate assembly (<i>consult factory</i>)	5-50-1101-00	1		1		1		1		1	1	1	1		
3	Stationary disc (<i>horizontal</i>)	8-003-206-01	1		1		2		2		1	1	2	2		
4	Friction disc	8-004-107-00	2		2		3		3		2	2	3	3		
4A	Carrier disc (<i>horizontal only</i>)	5-66-5812-00	2		2		3		3		2	2	3	3		
5	Pressure plate (<i>horizontal</i>)	8-005-113-01	1		1				1		1	1		1		
	Pressure plate (<i>horizontal</i>)	8-005-114-01					1		1				1	1		
7	Housing and release rod bushing assembly	5-07-1011-00	1		1		1		1		1	1	1	1		
15S	Cap screw	9-17-3224-00	12		12		12		12		12	12	12	12		
15W	Lock washer	9-45-1332-00	12		12		12		12		12	12	12	12		
16	Hub and set screw assembly (55 tooth)	5-16-1009-00	1		1				1		1	1		1		
	Hub and set screw assembly (55 tooth)	5-16-1010-00					1		1				1	1		
O-ring Kit	Endplate to motor, housing-to-endplate & O-Ring lube (* <i>IP-56 enclosure only</i>)	5-63-0208-00	1		1		1		1							
70	90° elbow (<i>component of Item 2</i>)	9-33-3005-00	1		1		1		1		1	1	1	1		
140A	Lead wire bushing (<i>support plate</i>)	8-140-003-02	1		1		1		1		1	1	1	1		
142	Support plate assembly (<i>less coil</i>)	5-42-1022-00-09	1								1					
	Support plate assembly (<i>less coil</i>)	5-42-1023-00-09			1							1				
	Support plate assembly (<i>less coil</i>)	5-42-1024-00-09					1						1			
	Support plate assembly (<i>less coil</i>)	5-42-1025-00-42							1					1		
142S	Cap screw	9-17-5016-00	6		6		6		6		6	6	6	6		
142W	Conical spring washer, 1/4 I.D. x 9/16 O.D.	9-46-0006-00	6		6		6		6		6	6	6	6		
148	Release knob	8-148-804-00	1		1		1		1		1	1	1	1		
149	Lead wire clamp	9-61-0010-00	1		1		1		1		1	1	1	1		
149S	Machine screw	9-10-2806-00	1		1		1		1		1	1	1	1		
149W	Lock washer	9-45-0328-00	1		1		1		1		1	1	1	1		
33	Floor stand collar	8-033-101-01									1	1	1	1		
33S	Set screw	9-20-1006-00									2	2	2	2		
34	Floor stand	8-034-103-01									1	1	1	1		
34R	Retaining ring	9-03-0064-00									2	2	2	2		
34S	Cap screw	9-17-1624-00									4	4	4	4		
34W	Lock washer	9-45-0316-00									4	4	4	4		
35	Brake shaft	8-035-101-00									1	1				
	Brake shaft	8-035-102-00											1	1		
35K	Key (<i>brake shaft</i>)	9-50-1840-00									1	1				
	Key (<i>brake shaft</i>)	9-50-1848-00											1	1		
35R	Retaining ring	9-03-0037-00									2	2	2	2		
36	Ball bearing	9-01-0040-00									2	2	2	2		
141	Bearing spacer	8-141-102-00									1	1	1	1		
160	Thermal protector (<i>TSW2</i>)	9-62-8017-00	1		1		1		1		1	1	1	1		
161	Lock plate	8-076-713-00	1		1		1		1		1	1	1	1		
162	Screw - lock plate	9-14-2704-00	1		1		1		1		1	1	1	1		

TABLE 2
Components of Support Plate Assembly

Item No.	Description	Part Number ↓	Brake Size Torque (lb-ft)	125	175	230	330
			Assembly Part Number →	5-42-1022-00-09	5-42-1023-00-09	5-42-1024-00-09	5-42-1025-00-42
8	Solenoid lever and pinion assembly (comprised of items 28, 32, 32R, 54, 71, 141 and 141A)	5-96-7382-00	1	1	1	1	1
11	Pressure spring (green)	9-70-4601-00	1				
	Pressure spring (yellow)	9-70-6001-00		1	1		
	Pressure spring (red)	9-70-5801-00					1
12	Solenoid assembly	see Table 4	1	1	1	1	1
13 & 13B	Solenoid link / bearing assembly	5-55-2006-00	1	1	1	1	1
13C	Cap screw (solenoid link)	8-157-703-00	1	1	1	1	1
13N	Nut (solenoid link)	9-40-3732-00	1	1	1	1	1
17	Lever arm assembly	5-17-2001-00	1	1	1	1	1
17B	Pressure button	9-25-1908-00	2	2	2	2	2
17E	Eccentric sleeve (lever arm)	8-054-201-00	1	1	1	1	1
17S	Set screw (lever arm)	9-22-1004-00	2	2	2	2	2
19	Pressure spring nut	8-019-202-01	1	1	1	1	1
22	Solenoid lever stop	8-022-603-00	1	1	1	1	1
28	Solenoid lever (component of Item 8)		1	1	1	1	1
32	Pinion (component of Item 8)		1	1	1	1	1
32R	Retaining ring (component of Item 8)		1	1	1	1	1
53	Manual release spring tube	8-053-201-00	1	1	1	1	1
53P	Roll pin (spring tube)	9-32-4012-00	1	1	1	1	1
54	Sleeve (component of Item 8)		1	1	1	1	1
55	Actuator (component of Item 159)	8-170-211-00	1	1	1	1	1
55N	Nut (component of Item 159)	9-40-3730-00	1	1	1	1	1
55S	Machine screw (component of Item 159)	9-10-3040-00	1	1	1	1	1
59	Release spring	9-71-0004-00	1	1	1	1	1
71	Wrap spring (component of Item 8)		1	1	1	1	1
76	Wrap spring stop	8-076-203-00	1	1	1	1	1
76A	Holding plate (wrap spring stop)	8-076-204-00	1	1	1	1	1
76S	Cap screw (spring stop)	9-17-2812-00	2	2	2	2	2
76W	Lock washer (spring stop)	9-45-1328-00	2	2	2	2	2
126	Support plate and bearing assembly	5-26-2004-00	1	1	1	1	1
130	Pivot pin (lever arm)	8-118-204-00	1	1	1	1	1
131	Pivot pin (solenoid lever)	8-131-201-00	1	1	1	1	1
131R	Retaining ring (pivot pin)	9-03-0020-00	5	5	5	5	5
132	Cap screw (solenoid mounting)	8-350-008-00	4	4	4	4	4
132H	Holding plate (solenoid mounting)	8-076-207-00	2	2	2	2	2
132L	Lock plate (solenoid mounting)	8-076-206-00	2	2	2	2	2
134	Pressure spring spacer	8-134-001-02	1	1			
	Pressure spring spacer	8-134-001-03			1	1	
	Pressure spring spacer	8-134-001-05					1
138	Bearing (washer type)	8-138-201-00	8	8	8	8	8
138A	Bearing (washer type)	8-138-701-00	2	2	2	2	2
141	Wrap spring spacer	} component of Item 8	*	*	*	*	*
141A	Wrap spring sleeve spacer		1	1	1	1	1
146	Release rod (internal)	8-146-201-01	1	1	1	1	1
146B	Ball bearing (release rod)	9-01-6801-00	1	1	1	1	1
146R	Retaining ring (release rod)	9-03-0007-00	1	1	1	1	1
152	Pressure spring stud	8-152-201-00	1	1	1	1	1
152P	Pivot pin (spring stud)	8-118-202-00	1	1	1	1	1
152R	Retaining ring (spring stud)	9-03-0019-00	2	2	2	2	2
178	Instruction plate	8-078-054-00	1	1	1	1	1
178S	Drivescrew	9-25-1303-00	2	2	2	2	2
179	Solenoid mounting plate	8-179-205-01	1	1	1	1	1
179G	Grommet (mounting plate)	8-147-202-00	3	3	3	3	3
179S	Shoulder screw (mounting plate)	9-26-1108-00	3	3	3	3	3
179W	Washer (mounting plate)	8-138-202-00	3	3	3	3	3
170	Manual release plate	8-170-102-00	1	1	1	1	1
170S	Release plate screw	9-16-3014-01	2	2	2	2	2
170N	Release plate nut	9-40-3730-00	2	2	2	2	2

* As required

