

# Series 87,300-00 and 87,300-02

(1-087-3XX) Motor Mounted  
Division I Hazardous Location

Mounting Face: NEMA 182TC, 184TC,  
213TC, 215TC, 254TC, 256TC  
8.5" AK, 7.25" AJ

**Static Torque:** 10 through 105 lb-ft

**Enclosure Material:** Cast Iron

**Release Type:** Knob

Modification required for vertical above  
mounting. For vertical below, modification  
required on 50-105 lb-ft. **See SAB**  
**Modification Section for list price adders.**



- Self-Adjusting Design
- Epoxy Encapsulated Coil Construction, with Class H Insulation
- NC Thermostat
- Spring-Set Electrically Released
- Lead Wire Length: 36 inches
- Maximum Speed: Horizontal 4000 rpm, Vertical 3000 rpm
- ABS Type Approval Certified.

Brake set and release times in milliseconds, when brake and motor are switched separately (for T1/T2 definitions, see page 98):

Static Torque	Coil Size	T1	T2
10, 15, 25, 50	5 & 6	42	20
35, 75, 105	8	48	20

Hazardous-location brakes are intended essentially for non-cyclic or holding purposes, but may be used for stopping light inertial loads.

## Series 87,300-00

**Enclosure Protection:** IP 23 or IP 55. For IP 55 protection, the brake must be mounted close coupled to the motor end bell (a motor frame adapter may be included). Hazardous Location NEMA 7, 9.

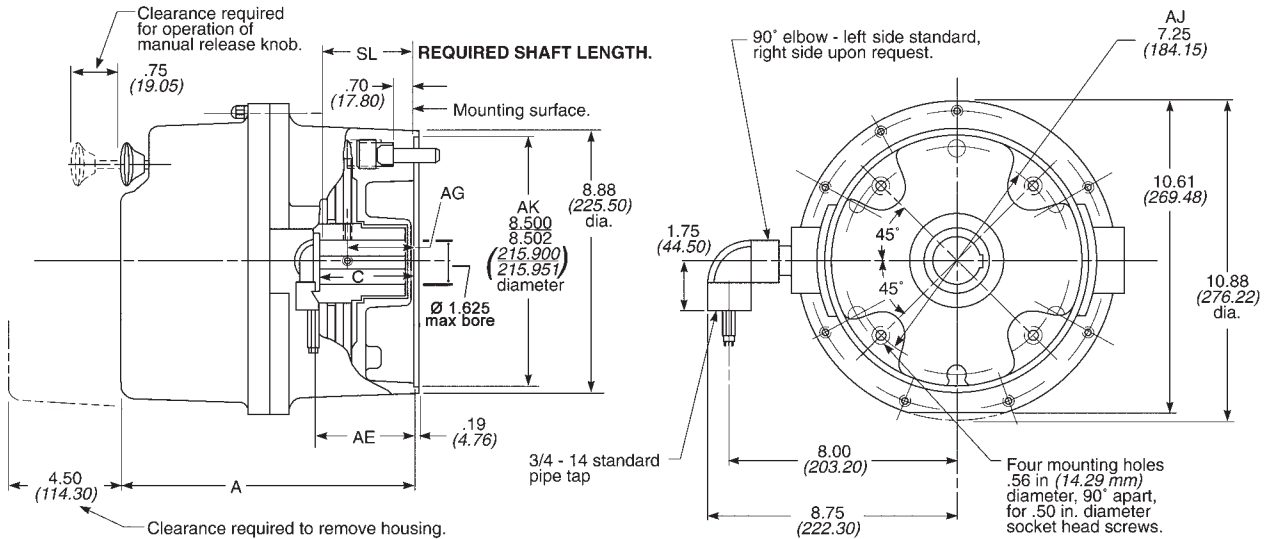
**Mounting Requirements:** 1-087-3XX-00 Series Hazardous Location Motor Mounted Brake is recommended for mounting close coupled (directly) to the motor end bell. If the brake is to be mounted to a motor fan guard, or if a motor frame adapter is incorporated, it is recommended that Series 1-087-3XX-02 be used, as it provides additional bearing support for the longer shaft that is required. The acceptability of the brake and motor combination must be determined by Underwriters Laboratories Inc.

**Certified:** UL Listed, File E-14893 for Class I, Group C and D and Class II, Group F and G. CSA Certified, File LR-9584 for Class I, Group C and D, and Class II, Group F and G.

**Installation and Service Instructions:** P/N 8-078-927-03

**Parts List:** P/N 8-078-917-03 for IP 23 8-078-917-23 for IP 55

Dimensions for estimating only. For installation purposes request certified prints.



### Dimensional Data/Unit Pricing (Discount Symbol D1)

Model Number	Enclosure	Nominal Static Torque (lb-ft) (Nm)	List Price	Dimensions in Inches (Dimensions in Millimeters)					Weight lbs (kg)
				A	AE	AG	C	SL ± .05"	
1-087-311-00-XXX	IP 23	10	\$3,350.00	9.34	3.22	2.25	2.76	2.56	62
1-087-314-00-XXX	IP 55	(14)	4,150.00	(237.33)	(81.79)	(57.2)	(70.1)	(65.0)	(28.0)
1-087-321-00-XXX	IP 23	15	3,500.00	9.34	3.22	2.25	2.76	2.56	63
1-087-324-00-XXX	IP 55	(20)	4,300.00	(237.33)	(81.79)	(57.2)	(70.1)	(65.0)	(28.6)
1-087-331-00-XXX	IP 23	25	3,725.00	9.34	3.22	2.25	2.76	2.56	63
1-087-334-00-XXX	IP 55	(34)	4,525.00	(237.33)	(81.79)	(57.2)	(70.1)	(65.0)	(28.6)
1-087-341-00-XXX	IP 23	35	4,000.00	9.34	3.22	2.25	2.76	2.56	63
1-087-344-00-XXX	IP 55	(47)	4,800.00	(237.33)	(81.79)	(57.2)	(70.1)	(65.0)	(28.6)
1-087-351-00-XXX	IP 23	50	4,700.00	9.34	3.22	2.25	2.76	2.56	64
1-087-354-00-XXX	IP 55	(68)	5,500.00	(237.33)	(81.79)	(57.2)	(70.1)	(65.0)	(29.0)
1-087-361-00-XXX	IP 23	75	5,700.00	9.34	3.22	2.25	2.76	2.56	65
1-087-364-00-XXX	IP 55	(102)	6,500.00	(237.33)	(81.79)	(57.2)	(70.1)	(65.0)	(29.5)
1-087-381-00-XXX	IP 23	105	7,350.00	10.34	4.22	2.75	3.73	3.53	72
1-087-384-00-XXX	IP 55	(142)	8,150.00	(262.73)	(107.19)	(69.9)	(94.7)	(89.7)	(32.7)

(1-087-3XX) Motor Mounted  
Division I Hazardous Location

Series 87,300-02

Enclosure Protection: IP 23 or IP 55. Hazardous Location NEMA 7, 9.

Installation and Service Instructions: P/N 8-078-927-05

Parts List: P/N 8-078-917-05

Mounting Requirements: 1-087-3XX-02 Series Hazardous Location Motor Mounted Brake is recommended for mounting to a motor fan guard, or for use with a motor frame adapter. The acceptability of the brake and motor combination must be determined by Underwriters Laboratories Inc.

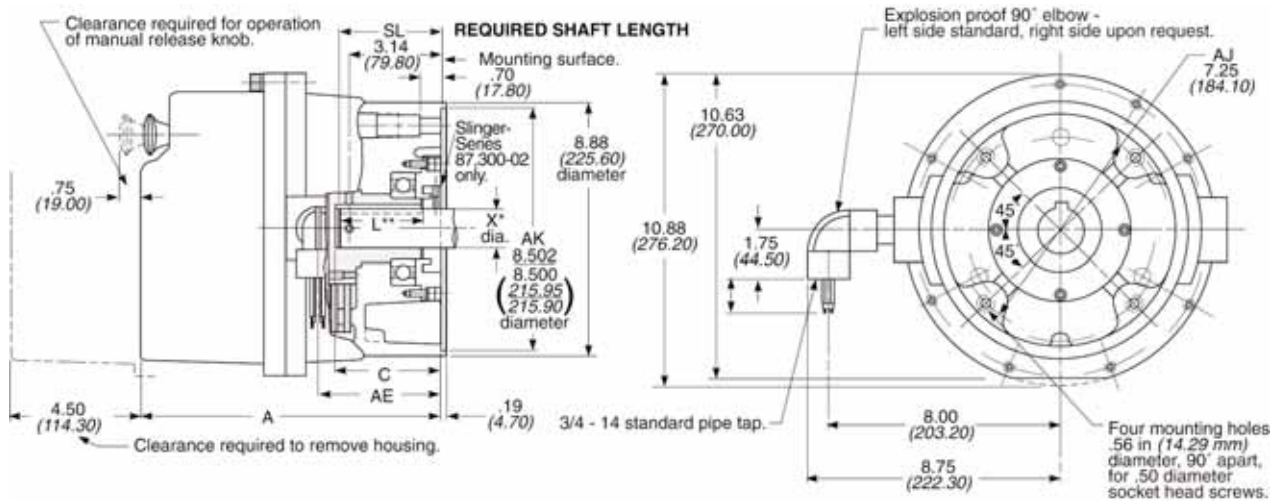
Certified: UL Listed, File E-14893

Series 87,300-02, Class I Group C and D and Class II, Group E, F and G.

CSA Certified, File LR-9584, Class I, Group C and D, and Class II, Group E, F and G.

Hazardous-location brakes are intended essentially for non-cyclic or holding purposes, but may be used for stopping light inertial loads.

Dimensions for estimating only.  
For installation purposes request certified prints.



\*X max diameter 1.625 in./ min. .875 in. \*\*L is the maximum keyway slot.

Dimensional Data/Unit Pricing (Discount Symbol D1)

Model Number	Enclosure	Nominal Static Torque (lb-ft) (Nm)	Dimensions in Inches (Dimensions in Millimeters)					List Price	Weight lbs (kg)
			A	AE	C	SL ± .05"	L** Max.		
1-087-311-02-XXX	IP 23	10	10.34	4.22	3.65	3.50	2.89	\$4,200.00	90
1-087-314-02-XXX	IP 55	(14)	(262.60)	(107.19)	(92.70)	(88.90)	(73.40)	\$5,000.00	(41)
1-087-321-02-XXX	IP 23	15	10.34	4.22	3.65	3.50	2.89	4,350.00	90
1-087-324-02-XXX	IP 55	(20)	(262.60)	(107.19)	(92.70)	(88.90)	(73.40)	5,150.00	(41)
1-087-331-02-XXX	IP 23	25	10.34	4.22	3.65	3.50	2.89	4,575.00	90
1-087-334-02-XXX	IP 55	(34)	(262.60)	(107.19)	(92.70)	(88.90)	(73.40)	5,375.00	(41)
1-087-341-02-XXX	IP 23	35	10.34	4.22	3.65	3.50	2.89	4,850.00	90
1-087-344-02-XXX	IP 55	(47)	(262.60)	(107.19)	(92.70)	(88.90)	(73.40)	5,650.00	(41)
1-087-351-02-XXX	IP 23	50	10.34	4.22	3.65	3.50	2.89	5,550.00	90
1-087-354-02-XXX	IP 55	(68)	(262.60)	(107.19)	(92.70)	(88.90)	(73.40)	6,350.00	(41)
1-087-361-02-XXX	IP 23	75	10.34	4.22	3.65	3.50	2.89	6,550.00	90
1-087-364-02-XXX	IP 55	(102)	(262.60)	(107.19)	(92.70)	(88.90)	(73.40)	7,350.00	(41)
1-087-381-02-XXX	IP 23	105	10.84	4.72	4.11	3.75	3.14	8,200.00	96
1-087-384-02-XXX	IP 55	(142)	(275.10)	(119.10)	(104.40)	(95.30)	(79.70)	9,000.00	(43.5)

Side release is also available in a fan guard mount design. Consult Stearns and request drawing no. 1-087-305-2D

# Series 87,300 continued

## Specifications and Ordering Information

for Series 87,300-00 (1-087-3XX-00) and Series 87,300-02 (1-087-3XX-02)

### Engineering Specifications

Nominal Static Torque	No. of Friction Discs	Coil Size	Maximum Solenoid Cycle Rate <sup>①</sup>	Thermal Capacity <sup>②</sup>	Inertia (Wk <sup>2</sup> )
(lb-ft) (Nm)			cycles/min	hp-sec./min (watts)	lb-ft <sup>2</sup> (kgm <sup>2</sup> x 10 <sup>-4</sup> )
10 (14)	1	5	30	15 (187)	.056 (23.68)
15 (20)	1	6	25	15 (187)	.056 (23.68)
25 (34)	1	6	25	15 (187)	.056 (23.68)
35 (47)	1	8	20	15 (187)	.056 (23.68)
50 (68)	2	6	25	15 (187)	.089 (37.56)
75 (102)	2	8	20	15 (187)	.089 (37.56)
105 (142)	3	8	20	15 (187)	.127 (53.64)

① Maximum solenoid cycle rate is based on ambient temperature of 72°F (22°C) with 50% duty cycle. Does not relate to brake cycle rate (see *Thermal Capacity*).

② Thermal capacity rating is based on ambient temperature of 104°F (40°C), stop time of one second or less, with no heat absorbed from motor. Derate thermal capacity by 25% for vertical mounting. Refer to *Selection Procedure* Section.

### Current Ratings (amperes)

Coil Size	Voltage: 60 Hz						Voltage: 50 Hz			
	Current	115 VAC	200 VAC	230 VAC	400 VAC	460 VAC	575 VAC	110 VAC	220 VAC	380 VAC
5	Inrush	7.5	4.3	3.7	2.2	1.9	1.5	5.4	4.0	1.9
	Holding	.5	.3	.2	.1	.1	.09	.3	.25	.1
6	Inrush	13.0	7.5	6.4	3.7	3.2	2.6	9.4	5.6	3.2
	Holding	.6	.4	.3	.2	.2	.1	.5	.3	.2
8	Inrush	17.6	10.3	8.8	5.0	4.2	3.5	15.4	7.7	4.2
	Holding	1.2	.7	.6	.3	.3	.24	.1	.5	.3

### Motor Frame Adapters

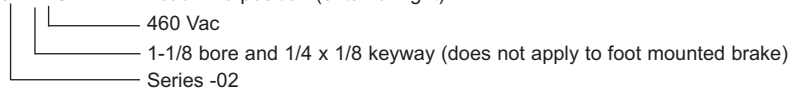
**WARNING!** Before selecting an adapter to mount a brake on a larger motor frame, the torque and thermal capacity required by the application should be determined as shown in the "Selection Procedure" section. A larger motor may indicate a requirement for greater thermal capacity than the brake is designed for. The brake selection must be matched to the motor and application requirements, before use of an adapter is considered.

**Consult the factory.**

### Ordering and Identification Information

The following example and tables provide information for selecting the appropriate three-letter suffix when ordering a Stearns Brake.

Example of a complete part number: 1-087-341-02-ELC ——— Lead wire position (external right)



#### Hub Selection

Character	Bore (in.)	Keyway* (in. x in.)
D	7/8	3/16 x 3/32
E	1-1/8	1/4 x 1/8
F	1-1/4	1/4 x 1/8
G	1-3/8	5/16 x 5/32
H	1-5/8	3/8 x 3/16
maximum allowable bore	1.625 in.	

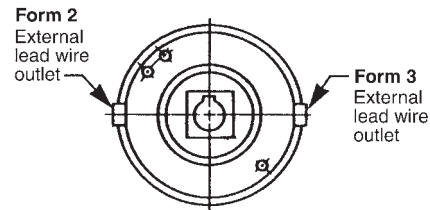
\*Keyseats made to ANSI B17.1 standard

#### Standard AC Voltage Ratings

Character	Voltage	Hz
B	115	60
D	110	50
E	200	60
F	230	60
	190	50
H	220	50
L	460	60
	380	50
M	415	50
N	575	60
O	110/220	50
P	115/230	60
Q	230/460	60
	190/380	50
R	200/400	60

Character	Lead Wire Position
B	Form 2
C	Form 3

#### Lead Wire Positions



View facing brake mounting register.

Modifications are available-see SAB Modification Section

# SELECTION - Solenoid Actuated Brakes

**NOTE:** For overhauling/high inertia loads, to stop in a specified time/distance, or for brakes combined with variable frequency drives, please refer to *Application Engineering Section*.

Stearns Solenoid Actuated Brakes can be easily selected from Table 1 and 2.

Given motor data:

1. Horsepower (hp)
2. Speed (RPM)
3. NEMA C-face frame size

Determine:

1. Static torque rating of the brake (lb-ft)
2. Brake series

**Step 1** – Given the motor horsepower and speed, select the brake torque from Table 1. Torque in table 1 is calculated using formula:

$$T_s = \frac{5,252 \times P}{N} \times SF$$

Where,  $T_s$  = Static torque, lb-ft

$P$  = Motor horsepower, hp

$N$  = Motor full load speed, rpm

SF = Service Factor

5,252 = constant

*Example:* Given a 5 hp, 1800 RPM motor, the selected brake is 20 or 25 lb-ft.

**Step 2** – Given the NEMA C-face motor frame size, select the brake series from Table 2.

*Example:* Given the 5 hp, 1800 RPM motor in Step 1 with a NEMA 184TC frame, Series 87,000; 87,300 or 87,700 Brakes can be selected to mount directly to the motor.

**Table 1 – Torque Selection**

*In this table, brake torque ratings are no less than 140% of the motor full load torque.*

Motor hp	Brakemotor Shaft Speed (RPM)						
	700	900	1200	1500	1800	3000	3600
	Static Torque Rating of Brake (lb-ft)						
1/6	3	1.5	1.5	1.5	0.75	0.5	0.5
1/4	3	3	3	1.5	1.5	0.75	0.5
1/3	6	3	3	3	1.5	1.5	0.75
1/2	6	6	3	3	3	1.5	1.5
3/4	10	6	6	6	6	3	3
1	15	10	6	6	6	3	3
1-1/2	20	15	10	10	10	6	3
2	25	20	15	10	10	6	6
3	35	25	20	15	15	10	6
5	75	50	35	25	20 or 25	15	10
7-1/2	105	75	50	50	35	25	15
10	105	105	75	50	50	25	25
15	175	125	105	75	75	50	35
20	230	175	125	105	105	50	50
25	330	230	175	125	105	75	50
30	330	330	230	175	125	75	75
40	440	330	330	230	175	105	105
50	550	440	330	330	230	*	*
60	750	500	440	330	330	*	*
75	1000	750	500	440	330	*	*
100	—	1000	750	500	440	*	*
125	—	1000	1000	750	500	*	*
150	—	—	1000	750	500	*	*
200	—	—	—	1000	1000	*	*
250	—	—	—	—	1000	*	*

\*See catalog pages for maximum rpm by series. Thermal capacity must be considered in load stops over 1800 rpm.

**Table 2 – Brake Series Selection by NEMA Frame Size**

Torque Range (lb-ft)	Brake Series	C-Face Motor Frame Size											
		48C	56C	143TC 145TC	182TC 184TC	213TC 215TC	254TC 254UC 256TC 256UC	284TC 284UC 286TC 286UC	324TC 324UC 326TC 326UC	364TC 364UC 365TC 365UC	404TC 404UC 405TC 405UC	444TC 444UC 445TC 445UC	504UC 504SC 505C 505SC
<b>Manually-Adjusted Brakes (require periodic adjustment to compensate for friction disc wear)</b>													
1.5-6 1.5-25 10-25	48,100 56,X00 56,500	①	①	①	② ①	②	②						
<b>Self-Adjusting Brakes (automatically compensate for friction disc wear)</b>													
6-105 50-105 125-230 125-440 500-1000 500-1000	87,X00 87,100 81,000 82,000 86,000 86,100		③	③	① ②	① ②	① ② ②	② ② ②	② ① ① ②	② ① ① ②	② ① ① ②	② ② ①	①
<b>Division I Hazardous Location Brakes (for atmospheres containing explosive gases or ignitable dusts) / Motor Mounted</b>													
1.5-15 10-105 125-330	65,300 87,300 82,300		①	①	② ① ②	② ① ②	② ① ②	② ② ②	② ② ①	② ② ①	② ② ①	②	
<b>Division I Hazardous Location Brakes (for atmospheres containing explosive gases or ignitable dusts) / Foot Mounted</b>													
10-105 125-330	87,300 82,300				④	④	④		④	④	④		
<b>Division 2 Hazardous Location Brakes</b>													
1.5-25 6-105	56,800 87,800		① ③	① ③	② ①	② ①	② ①	②	②	②	②		
<b>Double C-Face Brake Couplers (for direct coupling a C-face motor to a C-face gear reducer)</b>													
1.5-25 10-105	56,700 87,700		①	①	①	①	①						

- ① Brake mounts directly to motor C-face.
- ② Adapter required to mount brake to motor C-face. Refer to brake specifications for adapter information.
- ③ Brake endplate modified for direct mounting to motor C-face without an adapter.
- ④ Brake is foot mounted for coupling to a hazardous-location motor.

## Hazardous Location Brakes

Enclosures for standard Stearns disc brakes are designed to prevent accidental contact with the internal mechanism while keeping contaminants from the operating parts. Many installations, however, require additional protection due to the presence of explosive gases or ignitable dusts in the atmosphere. Hazardous locations are defined in the National Electrical Code (NEC) and designated by Class, Division and Group. For a better understanding of hazardous locations, or for definitions of hazardous location terminology, please refer to: <http://www.ul.com/global/eng/pages/offerings/services/hazardouslocations/>.

- **Class I** – Locations where the atmosphere may contain flammable gases or vapors in explosive or ignitable concentrations. An electric disc brake for Class I locations must be built in such a manner that any ignition of gases or vapors within the brake will not result in rupture of the enclosure or allow a flame or spark to travel from within the brake to the surrounding hazardous atmosphere.
- **Class II** – Locations with combustible dust in suspension in the atmosphere. An electric disc brake for Class II locations must be enclosed in a manner which precludes entry of ignitable dusts or exit of any arcs, sparks, or hot gases which may cause ignition of dusts suspended in the surrounding atmosphere or accumulated on the enclosure. The exterior surface temperature of the brake enclosure must be limited so that it can function at its maximum-rated duty cycle without causing dehydration or carbonization of dust that accumulates on the enclosure.
- **Divisions** – Each hazardous-location Class is also divided into two Divisions, 1 and 2. Division 1 is a *normally* hazardous location. Division 2 is normally *not* hazardous. Division 1 brakes can be used in both types of locations. **Division 2 can be used in Division 2 environments ONLY.**
- **Groups** – Class I gases and vapors are listed in four Groups A, B, C and D, based on specific properties such as maximum explosion pressure and ignition temperature. Class II airborne dusts are listed in three Groups: E, F, and G. The dust properties considered include thermal and electrical conductivity and ignition temperature.

### Selection

When specifying a Stearns hazardous-location disc brake, the Class and Group designations of the hazardous atmosphere and its ignition temperature must be known. The selection table gives the hazardous atmospheres that Stearns brakes are suitable for, along with the brake's maximum operating

temperature. For more information on hazardous location responsibilities, see: <http://www.ul.com/global/eng/pages/offerings/services/hazardouslocations/>

**Step 1** – Determine the Class and Group designation of the hazardous atmosphere.

**Step 2** – For Class I hazardous substances, determine the ignition temperature of the explosive gas or vapor. Select a brake listed for the appropriate group with a maximum external surface temperature that does *not* exceed the ignition temperature of the explosive gas or vapor.

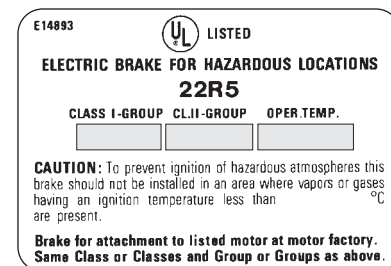
**Step 3** – For Class II hazardous substances, select a brake listed for the appropriate group.

Ignition temperatures of Combustible Dusts may be found in NFPA publication NFPA 499 Recommended Practice for the Classification of Combustible Dusts and of Hazardous (Classified) Locations for Electrical Installations in Chemical Process Areas. Ignition temperatures of Flammable Liquids, Gases and Vapors may be found in NFPA publication NFPA 497 Recommended Practice for the Classification of Flammable Liquids, Gases and Vapors and of Hazardous (Classified) locations for Electrical Installations in Chemical Process Areas.

### Brake Labels and Listing

Stearns brakes for use in hazardous locations are marked to show the Class, Group, and maximum Class II operating temperature (in a 40°C ambient) of the brake enclosure, as well as the minimum Class I ignition temperature of the gases or vapors to which they can be exposed.

Generally, compliance with the NEC is demonstrated by UL Listing of the product in Underwriters Laboratories Hazardous Location Equipment Directory. A label displaying the UL Listing mark and required rating information will be found on each Stearns brake to confirm the Listing.



In Canada, the Canadian Standards Association (CSA) is an organization with the responsibility to publish and administer national electrical standards as well as to test and certify electrical products. The CUL or CSA monogram will be found on Stearns hazardous-location brakes sold in Canada to confirm certification.

**Stearns motor-mounted, hazardous-location electric disc brakes are Listed only when mounted directly to a Listed hazardous-location motor of the same Class and Group at the motor manufacturer's facility, and where the combination has been accepted by UL.** This

procedure completes the explosion-proof assembly of the brake. However, *foot-mounted* Listed hazardous-location disc brakes are also available for coupling to a motor, and may be installed by anyone.

These brakes are listed by UL (Underwriters Laboratories, Inc.,) for use in certain locations classified as hazardous. Installation and servicing must be in compliance with all existing local safety codes. All wiring and electrical connections must comply with the National Electric Code (NEC) and local electrical codes in effect at the time. For additional information see the Underwriters Laboratories (UL) website <http://www.ul.com/hazloc/codes/html>.

HazLoc inspection authorities are responsible for verifying and authorizing the use of suitably designed, manufactured and installed HazLoc equipment. When questions arise always consult the local Authority Having Jurisdiction (AHJ) for directions and approvals.

### Hazardous-Location Brake Enclosures

Division 1, hazardous location brakes are typically provided with machined components, without gaskets. Series 65300 brakes can be provided with gaskets to meet IP 55, 56 or Type 4 enclosure protection. Series 87300 brakes can be provided with gaskets to meet IP 55, 56 or 57 enclosure protection. Series 82300 can be provided with IP 56 enclosure protection. All Division 1 enclosures prevent flame propagation to the outside atmosphere through tortuous flame paths having controlled clearances. If the brake is used in a high humidity or low temperature environment, internal electric heaters should be used.

Division 2 hazardous location brakes are provided with an IP 55 enclosure. Heater and proximity switch options are limited to Division 2, Class II brakes.

### Thermal Considerations

A major design requirement of hazardous-location brakes is to limit exterior surface temperature. The surface temperature of the enclosure must not exceed a specified limit as a result of heat energy created in stopping the motor and load. This NEC restriction on the exterior surface temperature limits the hazardous-location brake's ability to dissipate heat, resulting in less thermal capacity than a comparable brake with a standard or dust-tight, waterproof enclosure.

THEREFORE, HAZARDOUS-LOCATION BRAKES ARE INTENDED ESSENTIALLY FOR NON-CYCLIC OR HOLDING PURPOSES, BUT MAY BE USED FOR STOPPING LIGHT INERTIAL LOADS.

### Hazardous Location Brake Selection Table

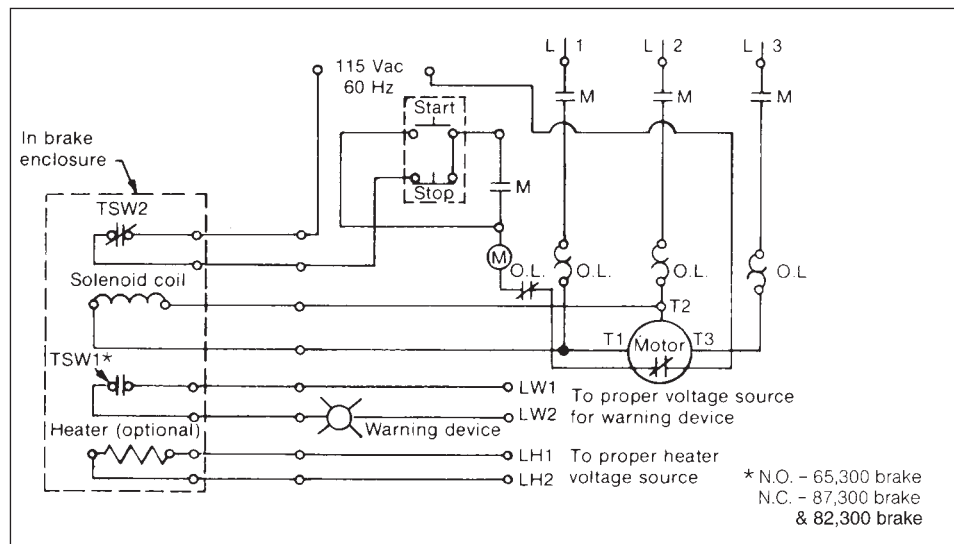
Classification		Minimum Auto-Ignition Temperature of Atmosphere	Minimum Layer or Cloud Ignition Temperature	T Code	Brake Series Division 1	Brake Series Division 2	
Class	Group						
I	A	160°C / 320°F		T3C		56800, 87800	
	B	160°C / 320°F		T3C		56800, 87800	
	C		100°C / 212°F		T5	87300	
			160°C / 320°F		T3C		56800, 87800
			180°C / 356°F		T3A	65300, 82300	
	D		100°C / 212°F		T5	87300	
			160°C / 320°F		T3C		56800, 87800
		180°C / 356°F		T3A	65300, 82300		
II	E		100°C / 212°F	T5	87300		
			165°C / 329°F	T3B	65300*, 82300*		
	F		100°C / 212°F	T5	87300		
			160°C / 320°F	T3C		56800, 87800	
			165°C / 329°F	T3B		87800	
	G		165°C / 329°F	T3B	65300, 82300		
			100°C / 212°F	T5	87300		
			160°C / 320°F	T3C		56800, 87800	
			165°C / 329°F	T3B		87800	
			165°C / 329°F	T3B	65300, 82300		

NOTE: Models with asterisk (\*) group E available in select models only, consult factory.

\*Series 65,300-07 (New Design Close Coupled) and 65,300-09 (Fan Guard Mount) are Class I Group C and D, Class II Group F and G only  
Maximum exterior surface temperature is based on operation in an ambient of 104°F (40°C).

### 65,300 and 87,300 & 82,300 Circuit Diagram

These brakes rely on a thermostat switch wired to the motor control circuit to limit the brake's enclosure surface temperature. Refer to the circuit diagram. If the brake begins to overheat, the thermostat TSW2 switch will open and interrupt the motor starter and brake solenoid current, causing the brake to set. A second thermostat TSW1 will close on Series 65,X00, or will open on Series 87,300\*\* and 82,300\*\* brakes. The TSW1 switch can be used to actuate alarm or warning light. This switch actuates at a lower temperature than TSW2, and will alert the equipment operator of an impending thermal overload.



\*N.O. - 65,300 brake  
N.C. - 87,300 brake  
& 82,300 brake

\*\*TSW1 is optional on 87,300 and 82,300 series brakes.

# Stearns® Spring-Set Disc Brakes

## Installation and Service Instructions for 87,300-00 Series Brakes

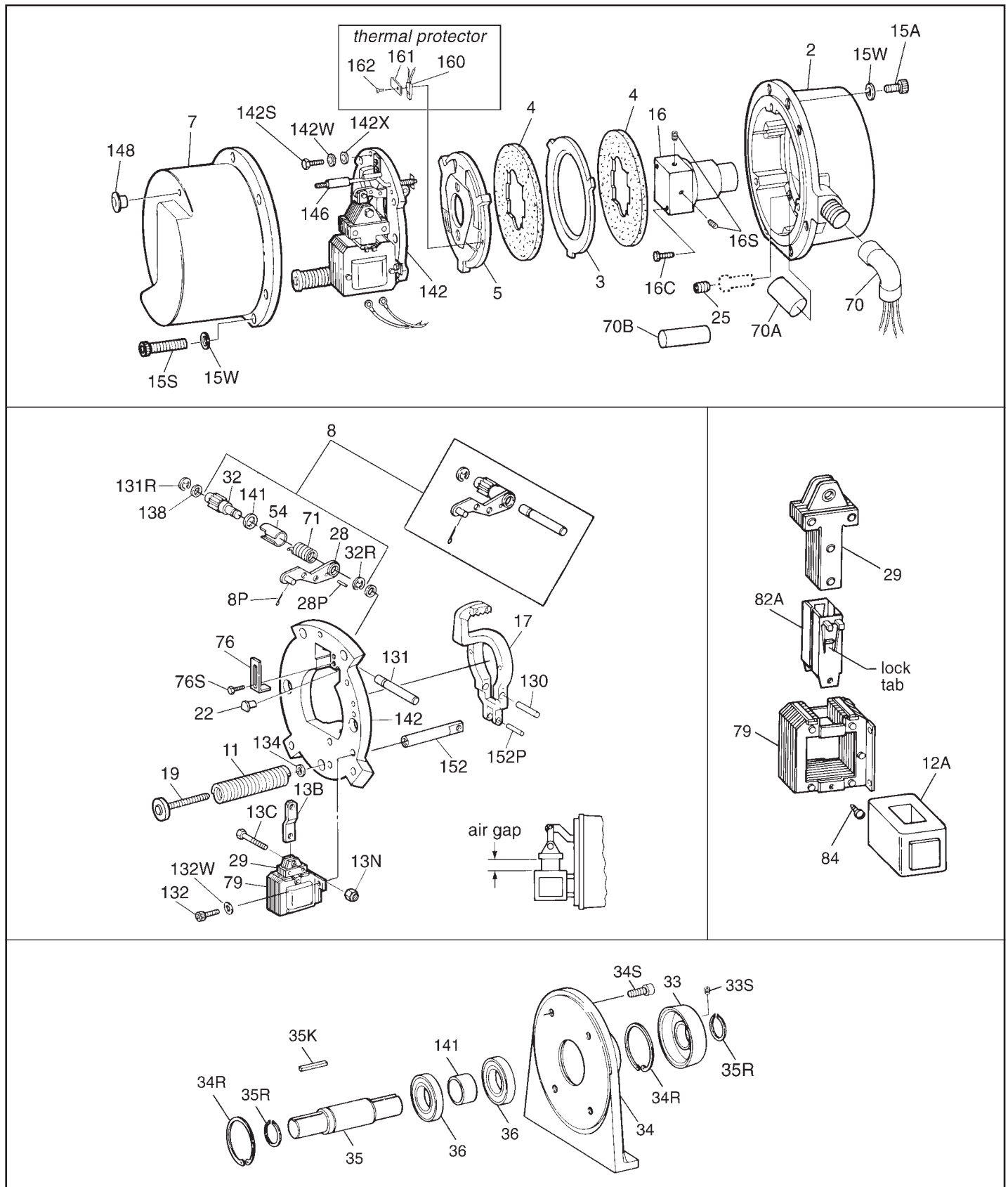


Figure 1

## Important

Please read these instructions carefully before installing, operating, or servicing your Stearns Brake. Failure to comply with these instructions could cause injury to personnel and/or damage to property if the brake is installed or operated incorrectly. For definition of limited warranty/liability, contact Rexnord Industries, LLC, Stearns Division, 5150 S. International Dr., Cudahy, Wisconsin 53110, (414) 272-1100.

## Caution

1. Installation and servicing must be made in compliance with all local safety codes including Occupational Safety and Health Act (OSHA). All wiring and electrical connections must comply with the National Electric Code (NEC) and local electric codes in effect. For additional information refer to the Underwriters Laboratory (UL) website at: <http://www.ul.com/hazloc/codes.html>
2. Do not install brake in a hazardous location other than that as designated.  
  
This brake may not be suitable for use in certain atmospheres containing explosive gases and dusts. **HazLoc** inspection authorities are responsible for verifying and authorizing the use of suitably designed and installed **HazLoc** equipment. When questions arise consult local **Authority Having Jurisdiction (AHJ)**.
3. To prevent ignition of hazardous atmospheres, disconnect the product from the supply circuit before opening. Keep assembly tightly closed when in operation.  
  
Also, to prevent an electrical hazard, disconnect power source before working on the brake. If power disconnect point is out of sight, lock disconnect in the *off* position and tag to prevent accidental application of power.
4. Make certain power source conforms to the requirements

specified on the brake nameplate.

5. Be careful when touching the exterior of an operating brake. Allow sufficient time for brake to cool before disassembly. Surfaces may be hot enough to be painful or cause injury.
6. Do not operate brake in hazardous atmosphere with housing removed and supply circuit connected.
7. Installation and maintenance should be performed only by qualified personnel familiar with the construction and operation of the brake.
8. For proper performance and operation only genuine Stearns parts should be used for repairs and replacements.
9. After usage, the brake interior will contain burnt and degraded friction material dust. This dust must be removed before servicing or adjusting the brake.  
  
DO NOT BLOW OFF DUST using an air hose. It is important to avoid dispersing dust into the air or inhaling it, as this may be dangerous to your health.
  - a) Wear a filtered mask or a respirator while removing dust from the inside of a brake.
  - b) Use a vacuum cleaner or a soft brush to remove dust from the brake. When brushing, avoid causing the dust to become airborne. Collect the dust in a container, such as a bag, which can be sealed off.

## General Description

Stearns Series 87,300 is a spring set, electromagnetically released disc brake. The brake is listed by Underwriters Laboratories, Incorporated for hazardous locations. The Class and Group designations is shown on nameplate. The listing includes two types of brakes, one for attachment to a listed motor at that motor manufacturer's factory and the other type which is complete, and can be mounted on a common base and

coupled to a motor. The listing marks on the brake apply only to the brake, not to the driving equipment. In the case of a motor mounted brake neither brake nor motor are listed unless both are listed. The listing marks of both the brake and the motor must be in agreement as to the Class and Group rating.

When a brake is mounted to the fan side of a TEFC motor, avoid using a small diameter shaft which may allow shaft whip at the hub. For those applications, use Stearns 87,300-02 Brake. The brake is essentially designed for holding purposes but may be used for stopping light inertia loads. The actuating mechanism includes a self-adjust feature to compensate for wear of the friction linings or for thermal expansion. The brake has a single-phase solenoid coil for operating on alternating current only. The nominal static torque is factory set. The brake is not waterproof or dust-tight and protection from the weather and other conditions is required.

**Note:** Fanguard-mounted brakes requiring IP54 & IP55 protection may require additional sealing measures beyond seals provided with this brake. Pressurized sprays aimed at the fan and brake hub surfaces can result in fluid migration along the motor shaft and keyway, and into the brake. The use of an appropriate sealant, such as RTV, or a *forsheda* seal is advised. Standard AC NEMA voltage are available in Class A style only. Direct current coils are not available.

## Operation

Each brake assembly consists of one to three molded friction discs fitted over a hub attached to or driven by a motor shaft. The friction disc(s) are located alternately between an endplate, stationary disc(s) and a pressure plate. The stationary disc(s) and pressure plate are restrained from rotating by the endplate. A solenoid, lever system, and a pressure spring are located on a support plate. A fitted housing, attached to the endplate, encloses the working parts. The housing also



provides location and support for a manual release rod.

The release of the brake occurs when the solenoid coil is energized, causing the solenoid plunger to travel a specified distance and, through the lever system, overcome the pressure spring force. The lever system in its travel disengages from the pressure plate which permits the friction discs to rotate when the motor is energized. When the motor and solenoid coil are de-energized, the pressure spring moves the lever system toward the pressure plate, applying a force to stop the rotation of the friction discs.

The brake is equipped with a manual release rod, which, when activated, sufficiently releases the brake without energizing the solenoid coil, permitting manual movement of the drive system, however drag may be noted. When the solenoid is energized, the manual release rod returns to its initial position or may be manually reset and permits the brake to set when the solenoid coil is again de-energized.

**Note:** The motor should not be run with the brake in the manual release position to avoid overheating of friction discs.

### Installation Motor Checkout - Motor Mounted Brake

**Note 1:** It is recommended to check the motor C-face alignment tolerances. The internal flame paths of the brake require close running fits. Exceeding the C-face alignment tolerances (the NEMA Standards) may result in a worn endplate and hub. Premature friction disc wear and rubbing noise may also occur. The face run out should be within .004" F.I.M. (Full Indicator Movement.) The eccentricity of the mounting rabbet should be within .004" F.I.M. The shaft run out should be within .002" F.I.M. Maximum permissible endfloat is .005".

**Note 2:** The motor shaft length, when using a 10 through 75 lb-ft motor mounted brake, must be  $2.50" \pm .050"$ . The motor shaft length, when using a 105 lb-ft motor mounted

brake, must be  $3.50" \pm .050"$ . The shaft length is measured from the motor mounting face surface to the end of the shaft. For motor frame adapter modifications, consult factory for shaft length requirements.

**Installation** (see Figure 1)

**Note:** For proper operation in the horizontal position, mount brake so that solenoid plunger (29) is above the frame (79) when installed. The brake may be mounted, if specifically modified, vertically above or vertically below the motor. A one disc brake vertically below is not modified. If motor is to be ceiling or horizontally wall mounted, brake must be oriented so the solenoid plunger is above frame when motor is installed.

### Method I - Motor Mounted Brake (see Figure 1)

1. Unscrew manual release knob (148), remove the seven housing screws (15S) and lock washers (15W). Remove the short screw (15A) and lock washer (15W) from opposite side of endplate (2) and thread one housing screw into this hole. Tightening this screw will push housing (7) away from endplate. Support housing as it is removed to avoid bending of manual release rod (146). Remove housing screw used as push-off and install short screw with lock washer, torque to 740 lb-in.
2. Depress solenoid plunger and pull release rod (146) back to lock brake mechanism in manual release position or securely tie down plunger to frame.
3. Disconnect solenoid coil lead wires at solenoid. If brake is supplied with heater it will be necessary to disconnect heater lead wires.
4. Remove entire support plate assembly (142) by evenly unscrewing and removing screws, conical spring washers, and flat washers (142S, 142W, and 142X). Optional switch TSW1, if installed, may be disconnected at this time as support

plate assembly (142) is being separated from the endplate.

5. Disconnect motor cut off thermal protector TSW2 (160). Remove pressure plate (5), friction disc(s) (4), stationary disc(s) (3) and the hub (16). Take note of position of the protector(s).

**Note:** Vertically mounted brake will have special pins which guide spacer springs and, in some cases, spring washers. Note color coded sequence of springs and location of washers, if used. See *Installation*, Note.

6. Attach endplate (2) to the NEMA C-face of the motor using four  $\frac{1}{2}$ -13 socket head cap screws and lock washers (not supplied) and torque per manufacturer's specifications based on material used (545 lb-in for cast iron). Insert the four  $\frac{1}{2}$ - 14 pipe plugs (25) and tighten securely.

**Note:** Be certain that the pipe plugs do not protrude above the endplate friction face.

7. For positioning of the hub, back set screws out sufficiently to clear shaft and key (note, top threads of set screw holes are deformed to prevent complete removal). Install hub, with full length key on motor shaft until hub shoulder seats against machined shoulder bore of the endplate. **Using a  $\frac{1}{4}$  - 20 UNC screw (one provided) (16C), install screw into one of the push out holes on the hub face. Holding the hub firmly against shoulders, turn the screw in until it firmly touches the endplate, then turn an additional  $\frac{1}{4}$  turn (90°) to back hub away from endplate.**

This will provide approximately 0.013" clearance between these two shoulders. The axial clearance limits recommended are 0.010" (72° turn of  $\frac{1}{4}$  - 20 UNC screw) to 0.015" (108° turn of  $\frac{1}{4}$  - 20 UNC screw).

Tighten both set screws to 156 lb-in for the square hub, or 288 lb-in for the splined hub. Remove

adjusting screw (16C) from the hub.

**Note:** A small diametrical clearance is maintained between the cylindrical portions of the hub and the inside diameter of the endplate. Hub should be free to rotate without binding or interference.

8. Assemble friction discs, stationary discs and pressure plate in correct sequence and position. If vertical style, reassemble springs plus spacers in proper position and sequence.

**Note:** Friction discs must be free to slide on hub and the stationary disc(s) and pressure plate must be free to slide in endplate. I.D. of friction discs may require filling to avoid binding on the hub.

9. To protect wire insulation, slide fiberglass tubing (70A) over underside of support plate lead wires and into endplate lead wire outlet hole until it touches the elbow. (See Figure 2.)

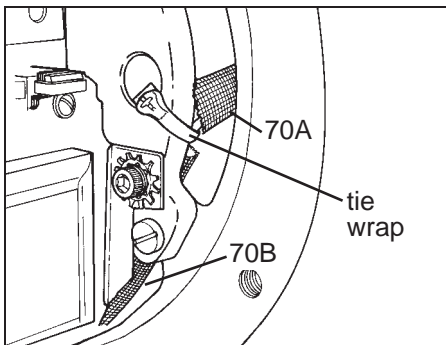


Figure 2

Reconnect motor cut off thermal protector TSW2 and optional TSW1. Be sure wires are not pulled tight, and carefully reroute all wires when mounting support plate, as originally installed.

10. Mount support plate assembly (142) to endplate using screws and conical spring washers (142S and 142W). Flat washer (142X) is installed under the conical spring washer. Torque these screws (142S) to 50 lb-in nominal. Be sure the assembly is mounted with the solenoid plunger above the solenoid frame on horizontally

installed brakes. (See Installation, Note.)

11. Using tie wrap provided, install tie wrap so that wires are held away from pressure plate as shown in Figure 2.

12. Disengage manual release rod by depressing plunger sufficiently, to allow release rod to retract or remove plunger tie down.

**Note:** If release rod is not in manual release position and has allowed the mechanism to overadjust, the support plate will not seat against the endplate. It will have to be reset. In this case the lever arm (17) throat will be near, or touching, the pinion (32) teeth. Loosen pressure spring nut (19) until pressure spring (11) is free. Mount support plate and retighten spring nut, do not overtighten. Lift plunger to maximum travel and release.

13. Manually depress solenoid plunger into the solenoid frame and release, allowing it to snap up. Repeat this process several times to set solenoid air gap. (See *Self-Adjust Maintenance* Section for proper air gap measurement or corrective action for improper gap.)

14. To protect insulation of optional heater and coil leads coming up from the support plate around the solenoid frame and the torque spring, slide fiberglass tubing (70B) over the lead wires.

Replace and/or remake connections on all internal electrical hardware, as originally installed. (See Section on *Electrical Connection of Brake*.)

15. Complete external electrical connection. (See Section on *Electrical Connection of Brake*.)
16. Check that friction disc(s) rotates freely when the solenoid plunger is held firmly against the solenoid frame. If binding or sticking occurs, recheck Steps 6, 7 and 8.
17. Reinstall housing (7) to endplate (2), being careful to guide the manual release rod (146) through

hole in the housing. Do not hang the housing from the release rod, as this may bend the rod making it inoperable. Install the housing screws (15S) and short screw (15A) with lock washers (15W) and torque to 740 lb-in.

**Note:** Since a small diametrical clearance exists between the housing and the endplate, care must be taken that this clearance is maintained. Diameters and surfaces must be free of burrs, nicks and dirt to insure a proper fit.

### Method II - Foot Mounted Brake

1. The foot mounted brake is factory set and ready to install. Note of *Installation Instructions* applies to foot mounted brakes as well as motor mounted brakes.
2. Couple brake directly to output shaft of the drive system. Alignment of the shafts must be within the recommended limits as specified by the coupling manufacturer. The use of dowels is recommended to insure permanent alignment. Do not subject brake shaft (35) to side or overhung loads.
3. See *Electrical Connection*. For housing (7) removal see *Installation*, Method I, Item 1.

### Electrical Connection of the Brake

**CAUTION 1: Inverter Motor and Special Control Systems.** This brake contains a single phase AC coil that requires instantaneous power within  $\pm 10\%$  of rating at the coil. A separate power source is required when this brake is used in conjunction with a motor or control system that limits voltage or current input (i.e. inverter motors) or causes a ramping of the power supply.

**CAUTION 2: Class H Coils with Terminals.** Do not bend lead wire crimp connection as this causes a fatigue in the metal which may break under vibration.

**Note 1:** Be sure lead wires to coil are not tight or pinched, and that leads will not be rubbed by friction disc, trapped between solenoid plunger and frame,

# Stearns® Spring-Set Disc Brakes

**WARNING** – The thermostats mounted in this brake must be wired into control circuit to limit the brake external surface temperature.

**NOTE FOR DUAL VOLTAGE CONNECTION ONLY.** Solenoid coil is factory wired for high voltage. Black coil leads 1 and 2, only coil leads extending outside of brake enclosure, always connects to power. For lower rated voltage connection, rewire coil internally per dual voltage diagram on solenoid frame.

Warning device TSW1 indicates the approach of an abnormal high temperature condition. The duty cycle should be reduced when TSW1 opens activating the warning device electrical circuit, indicating an abnormally hot condition. If the warning is not needed and the temperature continues to rise, switch TSW2 will open the motor circuit and cause the brake to set. In moist atmospheres a heater is recommended and should be energized whenever the brake is set.

Color coded lead wires are provided for each microswitch, (SW1 - for brake release and SW2 - for maximum wear indicator). Lead wires are factory wired to N.O. microswitch contacts. Customer may reconnect to N.C. contacts if so desired.

Ratings Vac			
TSW1		TSW2	
Volts	Amps	Volts	Amps
575	1.25	575	1.25
460	1.56	460	1.56
230	3.13	230	3.13
120	6.00	120	6.00

Ratings Vac Optional Heater	
Volts	Watts
120	30
240	30

Ratings for Optional Microswitches	
240 Vac	15A
115 Vdc	.5A

the motor at either voltage will properly operate the brake coil.

## AC Voltage Coil Connection

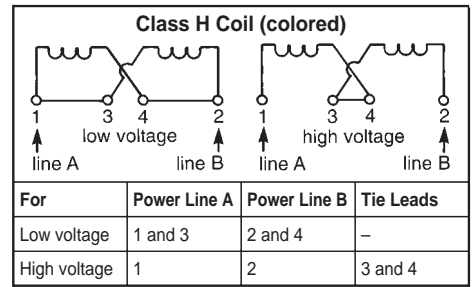


Figure 3

## Typical Connection Diagram

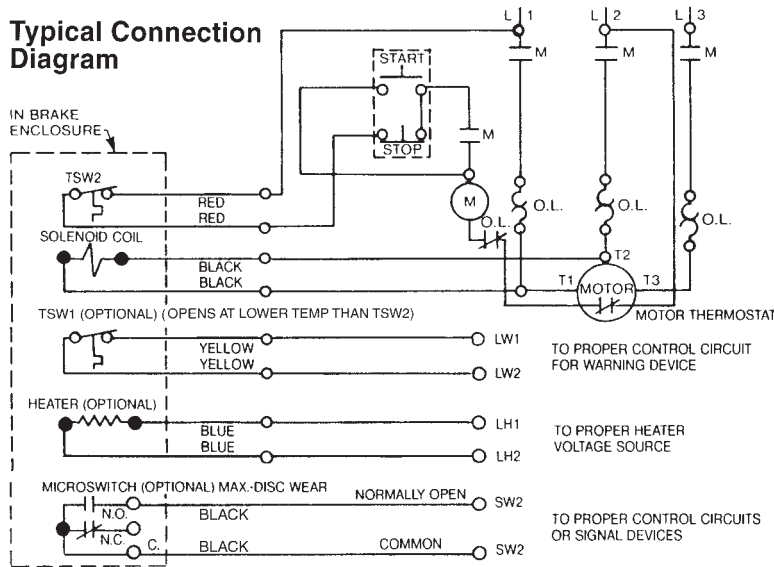


Figure 5

caught between lever arm and endplate, or by linkage.

**Note 2:** On brakes with space heater, connect to appropriate power source. Heater is to be energized continuously, even during storage, to prevent condensation and potential rusting.

The Series 87,300 Brake is equipped with an AC single-phase coil. Connect single voltage coil to any two leads on single or three-phase motor of the same voltage as the brake. Refer to brake nameplate and coil number for correct voltage and frequency. The brake can also be wired to external switch contacts, providing proper voltage other than that used to control

the motor with the motor and brake contacts interlocked.

Method of connecting a dual voltage coil for use on low or high voltage is shown in Figure 3. Connect power source to coil terminals.

### Connecting AC solenoid coils to dual voltage three-phase motors

To connect a dual voltage coil through the windings of a dual voltage motor, configure the coil to match the low voltage rating of the motor as shown in Figure 3. (Single voltage coils should be equal to the low voltage rating of the motor) Connect the brake coil across the motor windings as shown in Figure 4. Operation of

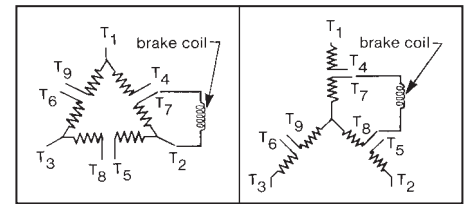


Figure 4

See Figure 5 for proper connections of protector switch TSW2, optional warning switch TSW1, optional heater and optional microswitches.

## General Maintenance

**Warning!** Any mechanism or load held in position by the brake should be secured to prevent possible injury or damage to equipment before any disassembly of the brake is attempted or the manual release knob is operated on the brake. Observe all cautions listed at the beginning of this manual.

**Note 1:** Do not lubricate any parts of the brake.

### A. Coil replacement

1. For housing removal see *Installation*, Method I, Item 1.
2. Disconnect coil leads.
3. For 10, 15, 25 and 50 lb-ft brakes, remove solenoid link screw (13C), nut (13N) and lift out solenoid plunger (29).
  - a) For 35, 75 and 105 lb-ft brakes, remove three mounting screws (132) and lock washers (132W). A hex key with shortened leg is helpful.
4. For metallic plunger guides (82), remove plunger guide screw(s)

(84). Remove both plunger guides (82) by prying up on the flanges. Replace plunger guides if worn or damaged.

a) To remove non-metallic plunger guides (82A), remove screw(s) (84). Insert shim stock or other thin gauge material at top center of coil between coil and solenoid frame. Push to release lock tab while lifting up on plunger guide. Repeat for other plunger guide. Replace plunger guides if worn or damaged.

5. Slide coil (12A) out from solenoid frame (79) in the direction of the coil terminals. If necessary, tap coil lightly with a soft hammer. If solenoid coil had burned out, be sure to remove all foreign material from the solenoid plunger (29) and solenoid frame (79).

6. Install new coil (12A) into solenoid frame with same relative position as old coil. Assemble new metallic plunger guides (82), plunger guide screw(s) (84).

a) Assemble new non-metallic plunger guides (82A) by inserting into position and pushing down until lock tab snaps under top bar of solenoid frame.

**Note:** Check that lock tab face is flush with inside surface of guide. If not, file chamfer (about 1/16" by 45°) on coil at lock tab areas.

Install plunger guide screw(s) (84).

7. Reassemble plunger into solenoid by reversing Step 3.

a) For 35, 75 and 105 lb-ft brakes, slide solenoid frame with the installed coil over solenoid plunger (29) and attach to support plate assembly (142) with three mounting screws (132) and lock washers (132W). Before tightening mounting screws, align solenoid plunger and solenoid frame so that mating surfaces are parallel. This can be accomplished by manually pulling the plunger down into its sealed position.

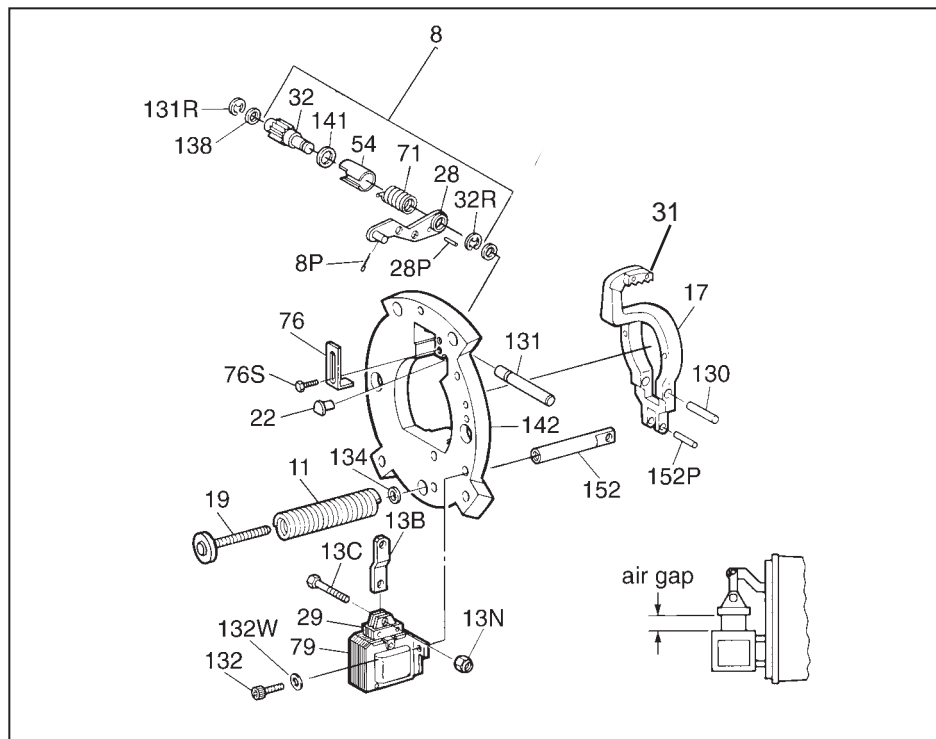


Figure 6

b) Tighten the three mounting screws (132) to 50-55 lb-in torque. Be certain that three lock washers (132W) are used.

8. On dual voltage coils, observe the lead numbering sequence for proper connection. (See *Electrical Connection*.)

9. Be sure lead wires to coil are not tight or pinched; leads must not be rubbed by friction disc; leads must not be trapped between solenoid plunger and frame.

10. Check air gap per *Self-Adjust Maintenance*.

11. Reconnect coil leads.

12. Reinstall housing (7) to endplate (2) per *Installation, Method I, Step 17*.

**Caution!** Do not run motor with brake in manual release position. It is intended only for emergency manual movement of the driven load, not as a substitute for full electrical release.

### B. Friction disc replacement

Replace friction disc in single disc brakes when wear surface area is one half the original disc thickness (approximately .100 thick). In multiple disc brakes, replace all friction

discs when throat of lever arm (17) is within 1/16" of touching the teeth on pinion (32).

Replacement friction discs are available in kits. See *Installation, Method I, Steps 1 through 5 & 8 through 17*.

### C. Other standard replacement parts

Piece parts and some kits or assemblies are available.

### D. Self-adjust maintenance (see Figure 6)

For housing removal see *Installation, Method I, Item 1*. Since the self-adjust brake automatically adjusts itself for friction disc wear, maintenance is held to a minimum. The solenoid is factory set with a 13/16" to 15/16" air gap, and requires no resetting, even when changing friction discs. Manually lift solenoid plunger to maximum travel. Depress fully and allow solenoid plunger to snap out several times. Measure solenoid air gap between mating surfaces of solenoid frame and solenoid plunger. (On vertically mounted brakes, it will be necessary to push solenoid plunger into solenoid frame to the point where spring pressure is felt, before measuring solenoid air gap.) The

gap is determined by the position of wrap spring stop (76). Due to wear-in of parts, the normal operating gap is 13/16" to 15/16". Should this change, follow the steps listed below:

1. If stop screws (76S) had been loosened and retightened, the air gap may require resetting. The gap is measured between mating surfaces of plunger (29) and solenoid frame (79), and may be increased by raising slightly, or decreased by lowering slightly, wrap spring stop (76). Be sure to retighten stop screws (76S). Manually lift plunger to maximum travel and release. Depress plunger, manually, and allow it to snap up. Repeat several times, then recheck air gap. (For vertically mounted brakes, see first part of this Section D.)
2. Tang of wrap spring (71) must be below, and must make contact with, wrap spring stop (76) when solenoid lever (28) is manually raised. If stop is bent outward, allowing tang to bypass it, rebend to square position, assemble correctly, and reset solenoid air gap as described in Step 1 of this Section.
3. Should air gap disappear, causes are overheating plus oil or other lubricant may have been applied to solenoid lever and pinion assembly (8). Remove support plate assembly (142). Loosen pressure spring nut (19) until pressure spring (11) is free. Remove cotter pin (8P) from solenoid lever (28) and retaining ring (131R) from pivot pin (131). Note location of spacer washer (138) if used, and push pivot pin out to free affected assembly. Remove retaining ring (32R) from pinion (32) and disassemble. Parts should be thoroughly cleaned in a clean solvent that does not leave a film (such as Methyl Ethyl Ketone). Dry all parts thoroughly and reassemble. Be sure that wrap spring (71) is tight against side face of solenoid lever (28), and that end of last

turn touches (without preload) the square protruded stop of the solenoid lever. Reassemble in reverse order of steps in this paragraph. Do not retighten cap screw (19) until support plate assembly is mounted on end-plate. Refer to Steps 9 through 17 of *Installation Procedure* to complete assembly.

4. Check condition and positioning of pinion (32) and rack (part of lever arm assembly, 17). Replace parts as necessary with complete assemblies, see following sections.

**E. Solenoid lever and pinion assembly replacement**

If pinion (32) teeth are worn, replace entire solenoid lever and pinion assembly (8). Consult appropriate parts list for kit number. See disassembly procedure, this Section, Item D3. Check sector gear of lever arm (17) for wear.

**F. Lever arm replacement**

If sector gear teeth of lever arm (17) are worn, replace entire lever arm assembly. Available as a kit from appropriate repair parts list. Also check pinion (32) teeth for wear.

**Note:** Refer to Steps 9 through 17 of *Installation Procedure* to complete assembly.

**Troubleshooting**

*(Observe all cautions listed at the beginning of this manual)*

**If brake does not stop properly or overheats, check the following:**

1. Is manual release engaged, and is motor energized?
2. Friction discs may be excessively worn, charred or broken.
3. Hub may have become loose and shifted on shaft.
4. Is hub clean, and do friction discs slide freely?
5. Are controls which govern start of braking cycles operating properly?
6. Are limit switches, electric eyes, etc. functioning properly?

7. On vertically mounted brakes, are vertical mounting springs and spacers (if used) in place in disc pack?
8. Pressure spring may be improperly assembled or broken.
9. Is solenoid air gap adjusted correctly?  
*(See Self-Adjust Maintenance.)*
10. Check linkage for binding. The approximate pressure applied to the top of the solenoid link to move plunger is:

#5 coil	3 lbs
#6 coil (16 lb-ft)	5-1/2 lbs
#6 coil (25 lb-ft)	9 lbs
#8 coil	16 lbs

If excessive force is required, determine cause of binding and correct. Do not overlook bent, worn or broken plunger guides as a possible cause for binding.

11. Solenoid lever stop (22) must be in place on support plate.
12. Solenoid may not be energizing and releasing the brake. Check voltage at the coil and compare to the coil and/or nameplate voltage rating.
13. A voltage drop may be occurring. If excessive drop in voltage is noted, check wire size of power source. Correct as needed.

**Note:** A method to check voltage at coil is to insert a block of wood of the approximate thickness of the solenoid air gap between the solenoid frame and plunger. (The block will prevent brake from releasing when coil is energized.) Connect voltmeter leads at the coil terminals or lead wires. Energize coil. Voltmeter needle will not fluctuate and reading can be taken. Reading should be taken immediately and the coil de-energized to prevent overheating of the coil. Compare voltage reading with coil rating. Since brake will be energized during this procedure, be sure a nonexplosive atmosphere exists

at time of test or DO NOT PERFORM!

14. Check slots of endplate for wear at the areas where stationary discs are located. Grooves in the slots can cause hang-up or even breakage of ears of stationary discs. If grooving is noted, replace endplate.
15. Check that close-up pipe plugs (25) do not extend above wear surface of endplate face.
16. On vertical above brakes, check the vertical mounting pins to be sure shoulder of pin is flush with wear surface of endplate. Be sure pins are straight and the pressure plate and stationary disc(s) are free to slide on the pins. Be sure springs and spacers are installed in proper order. That disc pack slides freely in slots and friction discs slide freely on hub.
17. On vertical below brakes, check that springs and spacers (if used) are installed in proper order. Be sure pins are straight and stationary disc(s) are free to slide on pins. That disc pack slides freely in slots and friction discs slide freely on hub.
18. On foot mounted brakes, recheck alignment and condition of shaft bearings (36). Refer to *Installation Procedure*, Method II, Items 1 and 2.
19. Check that brake coil is energized at the same time as, or prior to, motor and de-energized at the same time, or after, motor.
20. Check pressure spring length to insure correct compressed height. Original spring lengths are given in the following table so that correct setting may be verified and corrected if necessary. With worn friction disc, add amount of wear to spring length shown.

Color	Torque (lb-ft)	Compressed Spring Length
Blue	10	3-5/16"
Yellow	15	3-9/16"
Red	25 & 50	3-3/8"
Green	35, 75 & 105	3-3/8"
Black	10	3-1/4"
White	15	3-1/4"
Orange	25 & 50	3-1/4"
Purple	35, 75 & 105	3-1/4"

21. If a heater is supplied and excess rusting has occurred in brake, check power source to heater to be sure it is operating and that heater is not burned out.
22. If stopping time is more than one second (rule of thumb) and/or the application is more than five stops per minute, check thermal requirements of load versus thermal rating of brake.

**If brake hums, solenoid pulls in slowly, or coil burnt out, check the following:**

1. Voltage supply at coil versus coil rating.
2. Is solenoid air gap excessive? (See *Self-Adjust Maintenance*.)
3. Shading coils may be broken.
4. Plunger guides may be excessively worn. Does solenoid plunger rub on solenoid frame laminations? If so, replace plunger guides.
5. Solenoid frame and plunger may be excessively worn.
6. Is solenoid dirty?
7. Solenoid mounting screws may have become loose, causing frame to shift and plunger to seat improperly.
8. Sector gear and pinion teeth may be jamming due to excessive tooth wear.

9. Excessive voltage drop when motor starts. Check size of lead wires for motor starting current and solenoid inrush current. See Step 13 of this Section.

**If brake is noisy during stopping:**

1. Check mounting face run out, mounting rabbet eccentricity and shaft run out. See *Installation Motor Checkout - Motor Mounted Brake*. Note 1. Correct as required.
2. Check for signs of the outside diameter of the friction disc(s) or hub rubbing on the inside diameter of the endplate. This would indicate brake is eccentric with respect to the motor shaft and/or the shaft is deflecting during a stop. Check alignment and shaft diameter. Also check for worn motor bearings. If realignment does not correct the problem a larger diameter shaft may be required. Shaft deflection may also be caused by excessive overhang of brake from motor bearing. Additional shaft support may be required.
3. In cases where motor shaft extends through a fan casing or guard, the clearance hole may not be adequate. Rubbing of the shaft may occur causing a noise during a stop. If required, additional shaft support may be required.
4. Check for bad motor bearings. Replace if necessary. Check for excessive shaft endfloat as required.



Rexnord Industries, LLC  
Stearns Division  
5150 S. International Dr.  
Cudahy, Wisconsin 53110

Phone (414) 272-1100 Fax (414) 277-4364 [www.stearns.rexnord.com](http://www.stearns.rexnord.com)

# Stearns® Spring-Set Disc Brakes

## Installation and Service Instructions for Series 87,300-01 and 87,300-02

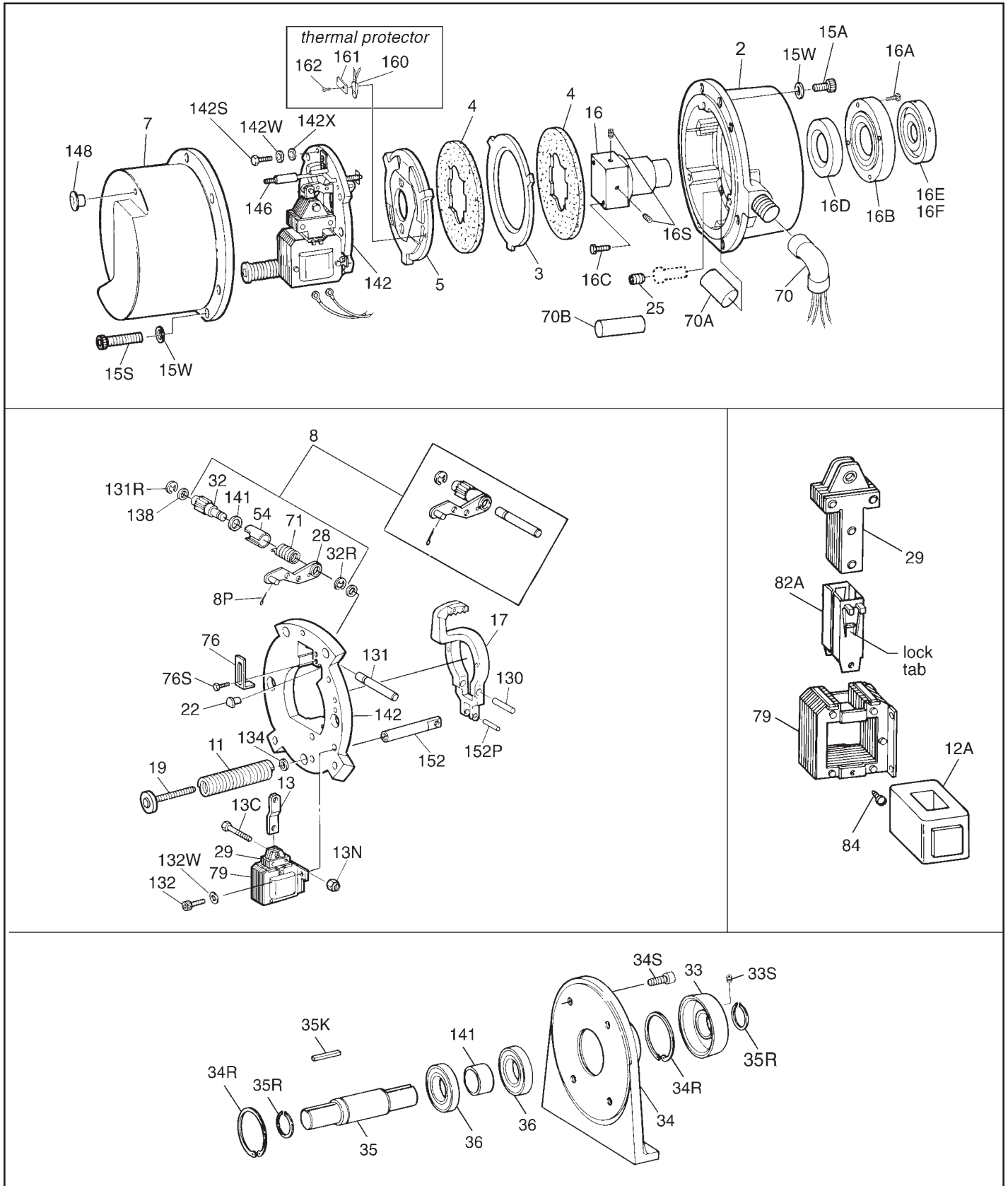


Figure 1

**Important**

Please read these instructions carefully before installing, operating, or servicing your Stearns Brake. Failure to comply with these instructions could cause injury to personnel and/or damage to property if the brake is installed or operated incorrectly. For definition of limited warranty/liability, contact Rexnord Industries, Inc., Stearns Division, 5150 S. International Dr., Cudahy, Wisconsin 53110, (414) 272-1100.

**Caution**

1. Installation shall be made in compliance with all local safety codes including Occupational Safety and Health Act (OSHA). All wiring and electrical connections must comply with the National Electric Code (NEC) and local electric codes in effect.
2. Do not install brake in a hazardous location other than that as designated.

This brake may not be suitable for use in certain atmospheres containing explosive gases and dusts.

**HazLoc** inspection authorities are responsible for verifying and authorizing the use of suitably designed and installed **HazLoc** equipment. When questions arise consult local **Authority Having Jurisdiction (AHJ)**.

3. To prevent ignition of hazardous atmospheres, disconnect the product from the supply circuit before opening. Keep assembly tightly closed when in operation.  
Also, to prevent an electrical hazard, disconnect power source before working on the brake. If power disconnect point is out of sight, lock disconnect in the *off* position and tag to prevent accidental application of power.
4. Make certain power source conforms to the requirements specified on the brake nameplate.
5. Be careful when touching the exterior of an operating brake. Allow sufficient time for brake to cool before disassembly. Surfaces may be hot enough to be painful or cause injury.
6. Do not operate brake in hazardous atmosphere with housing removed and supply circuit connected.
7. Installation and maintenance should be performed only by

qualified personnel familiar with the construction and operation of the brake.

8. For proper performance and operation only genuine Stearns parts should be used for repairs and replacements.
9. After usage, the brake interior will contain burnt and degraded friction material dust. This dust must be removed before servicing or adjusting the brake.

**DO NOT BLOW OFF DUST** using an air hose. It is important to avoid dispersing dust into the air or inhaling it, as this may be dangerous to your health.

- a) Wear a filtered mask or a respirator while removing dust from the inside of a brake.
- b) Use a vacuum cleaner or a soft brush to remove dust from the brake. When brushing, avoid causing the dust to become airborne. Collect the dust in a container, such as a bag, which can be sealed off.

**General Description**

Stearns Series 87,300 is a spring set, electromagnetically released disc brake. The brake is listed by Underwriters Laboratories, Incorporated for hazardous locations. The Class and Group designation is shown on nameplate. The listing includes two types of brakes, one for attachment to a listed motor at that motor manufacturer's factory and the other type which is complete, and can be mounted on a common base and coupled to a motor. The listing marks on the brake apply only to the brake, not to the driving equipment. In the case of a motor mounted brake neither brake nor motor are listed unless both are listed. The listing marks of both the brake and the motor must be in agreement as to the Class and Group rating.

The brake is essentially designed for holding purposes but may be used for stopping light inertia loads. The actuating mechanism includes a self-adjust feature to compensate for wear of the friction linings or for thermal expansion. The brake has a single-phase solenoid coil for operating on alternating current only. The nominal static torque is factory set. The brake is not waterproof or dust-tight and protection from the weather and other conditions is required.

**Note:** Fanguard-mounted brakes requiring IP54 & IP55 protection may require additional sealing measures beyond seals provided with this brake. Pressurized sprays aimed at the fan and brake hub surfaces can result in fluid migration along the motor shaft and keyway, and into the brake. The use of an appropriate sealant, such as RTV, or a *forsheda* seal is advised.

Standard AC NEMA voltage are available in Class A style only. Direct current coils are not available.

**Operation**

Each brake assembly consists of one to three molded friction discs fitted over a hub attached to or driven by a motor shaft. The friction disc(s) are located alternately between an endplate, stationary disc(s) and a pressure plate. The stationary disc(s) and pressure plate are restrained from rotating by the endplate. A solenoid, lever system, and a pressure spring are located on a support plate. A fitted housing, attached to the endplate, encloses the working parts. The housing also provides location and support for a manual release rod.

The release of the brake occurs when the solenoid coil is energized, causing the solenoid plunger to travel a specified distance and, through the lever system, overcome the pressure spring force. The lever system in its travel disengages from the pressure plate which permits the friction discs to rotate when the motor is energized. When the motor and solenoid coil are de-energized, the pressure spring moves the lever system toward the pressure plate, applying a force to stop the rotation of the friction discs.

The brake is equipped with a manual release rod, which, when activated, sufficiently releases the brake without energizing the solenoid coil, permitting manual movement of the drive system, however drag may be noted. When the solenoid is energized, the manual release rod returns to its initial position or may be manually reset and permits the brake to set when the solenoid coil is again de-energized.

**Note:** The motor should not be run with the brake in the manual release position to avoid overheating of friction discs.



### Installation Motor Checkout - Motor Mounted Brake

**Note 1:** It is recommended to check the motor C-face alignment tolerances. The internal flame paths of the brake require close running fits. Exceeding the C-face alignment tolerances (the NEMA Standards) may result in a worn endplate and hub. Premature friction disc wear and rubbing noise may also occur. The face run out should be within .004" F.I.M. (Full Indicator Movement.) The eccentricity of the mounting rabbet should be within .004" F.I.M. The shaft run out should be within .002" F.I.M. Maximum permissible endfloat is .005".

**Note 2:** The motor shaft length, when using a 10 through 75 lb-ft motor mounted brake, must be 3.50" ± .050". The motor shaft length, when using a 105 lb-ft motor mounted brake, must be 3.75" ± .050". The shaft length is measured from the motor mounting face surface to the end of the shaft. For motor frame adapter modifications, consult factory for shaft length requirements.

**Note 3:** The motor shaft keyway must start .6" minimum from motor C-face - brake mounting surface (no keyway allowed under the slinger).

#### Installation (see Figure 1)

**Note:** For proper operation in the horizontal position, mount brake so that solenoid plunger (29) is above the frame (79) when installed. The brake may be mounted, if specifically modified, vertically above or vertically below the motor. A one disc brake vertically below is not modified. If motor is to be ceiling or horizontally wall mounted, brake must be oriented so the solenoid plunger is above frame when motor is installed.

#### Method I - Motor Mounted Brake (see Figure 1)

1. Unscrew manual release knob (148), remove the seven housing screws (15S) and lock washers (15W). Remove the short screw (15A) and lock washer (15W) from opposite side of endplate (2) and thread one housing screw into this hole. Tightening this screw will push housing (7) away from endplate. Support housing as it is removed to avoid bending of manual release rod (146). Remove housing screw used as push-off and install short screw with lock washer, torque to 740 lb-in.

2. Depress solenoid plunger and pull release rod (146) back to lock brake mechanism in manual release position or securely tie down plunger to frame.
3. Disconnect solenoid coil lead wires at solenoid. If brake is supplied with heater it will be necessary to disconnect heater lead wires.
4. Remove entire support plate assembly (142) by evenly unscrewing and removing screws, conical spring washers, and flat washers (142S, 142W, and 142X). Optional switch TSW1, if installed, may be disconnected at this time as support plate assembly (142) is being separated from the endplate.
5. Disconnect motor cut off thermal protector TSW2 (160). Remove pressure plate (5), friction disc(s) (4), stationary disc(s) (3) and the hub (16). Take note of position of the protector(s).

**Note:** Vertically mounted brake will have special pins which guide spacer springs and, in some cases, spring washers. Note color coded sequence of springs and location of washers, if used. See *Installation, Note*.

#### 6. Slinger positioning procedure Class II installations only

To install the slinger, back set screws out sufficiently to clear shaft. Slide slinger (16E) on the motor shaft with the slinger lip facing away from the motor. Use (16G) slinger positioning template (one provided) or a dial

indicator to position slinger lip face .610" from the motor C-face register and check the slinger face runout. (See Figure 2.) When the slinger is properly located, torque both slinger mounting set screws (16F) to 25 lb-in.

7. Loosely attach endplate (2) to the NEMA C-face of the motor using four ½-13 socket head cap screws and lock washers (not supplied). The endplate mounting register is machined oversize to compensate for possible shaft to bearing misalignment. Thread screws until lock washer tension initially felt.
8. To install the hub, back set screws out sufficiently to clear shaft and key. (**Note:** Top threads of set screw holes are deformed to prevent complete removal.)

Slide the hub onto the shaft without a key initially to insure free movement. The hub will probably stop when it touches the bearing. Very small clearance is provided (.0003"-.0015") between the bearing I.D. and the hub. (The bearing is permanently installed in the endplate.) The endplate may require to be raised to the point where the hub slides into the bearing without force. Rotating the hub while pushing will ease insertion. Endplate mounting vertically above the motor would ease positioning, while holding endplate upwards, snug up the four mounting screws to prevent further endplate movement. The motor shaft is now aligned to

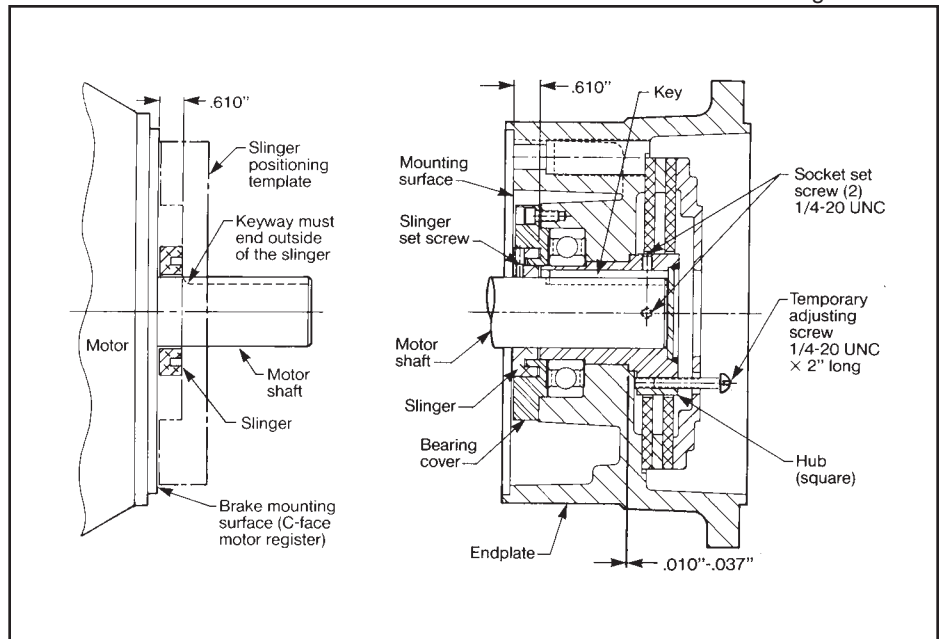


Figure 2

the brake endplate bearing. Remove hub.

Reinstall hub with full length key on motor shaft. Push hub into bearing until hub shoulder seats against machined shoulder bore of the endplate while endplate is raised as necessary. Torque the four endplate mounting screws per manufacturers specifications based on material used (545 lb-in for cast iron). Insert the four 1/2-14 pipe plugs (25) and tighten securely.

**Note:** Be certain that the pipe plugs do not protrude above the endplate friction face.

### 9. Hub positioning procedure

Required is axial clearance .010" to .037", between hub shoulder and machined shoulder of the endplate. It is easily achieved by 1/4-20 UNC screw (16C - provided) or by using a dial indicator. See Figure 2 and follow Step a) or b).

a) Using 1/4-20 x 2" long screw (one provided), install screw into one of the push out holes on the hub face. Holding the hub firmly against shoulders, turn the screw in until it firmly touches the endplate, then turn an additional 1/2 turn (180°) to back hub away from endplate. This will provide approximately .025" clearance between these two shoulders. The axial clearance limits .010" (72° turn of 1/4-20 UNC screw) to .037" (270° turn of 1/4-20 UNC screw). Tighten both set screws to 156 lb-in for the square hub, or 288 lb-in for the splined hub. Remove adjusting screw (16C) from the hub.

b) While the hub shoulder seats against machined shoulder bore of the endplate, set the dial indicator on the hub square face and turn the dial to zero. Pull the hub bushing forward until indicator shows the required clearance .010" to .037" maximum. Tighten both set screws (16S) to 87 lb-in as recommended for 1/4-20 socket set screw. Remove dial indicator.

**Note:** A small diametrical clearance is maintained between the cylindrical portions of the hub and the endplate, the bearing and the bearing cover. Rotate the hub and check

for free rotation without binding or interference with the endplate or the bearing cover.

- Assemble friction discs, stationary discs and pressure plate in correct sequence and position. If vertical style, reassemble springs plus spacers in proper position and sequence.

**Note:** Friction discs must be free to slide on hub and the stationary disc(s) and pressure plate must be free to slide in endplate. I.D. of friction discs may require filling to avoid binding on the hub.

- To protect wire insulation, slide fiberglass tubing (70A) over underside of support plate lead wires and into endplate lead wire outlet hole until it touches the elbow. (See Figure 3.)

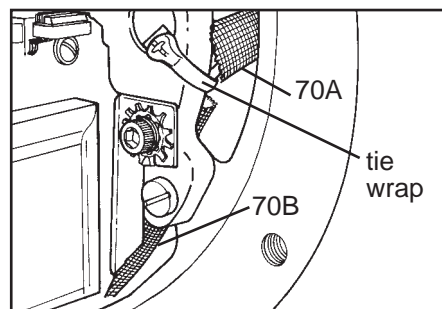


Figure 3

Reconnect motor cut off thermal protector TSW2 and optional TSW1. Be sure wires are not pulled tight, and carefully reroute all wires when mounting support plate, as originally installed.

- Mount support plate assembly (142) to endplate using screws and conical spring washers (142S and 142W). Flat washer (142X) is installed under the conical spring washer. Torque these screws (142S) to 50 lb-in nominal. Be sure the assembly is mounted with the solenoid plunger above the solenoid frame on horizontally installed brakes. (See Installation, Note 1.)
- Using tie wrap provided, install tie wrap so that wires are held away from pressure plate as shown in Figure 3.
- Disengage manual release rod by depressing plunger sufficiently, to allow release rod to retract or remove plunger tie down.

**Note:** If release rod is not in manual release position and has

allowed the mechanism to overadjust, the support plate will not seat against the endplate. It will have to be reset. In this case the lever arm (17) throat will be near, or touching, the pinion (32) teeth. Loosen pressure spring nut (19) until pressure spring (11) is free. Mount support plate and retighten spring nut, do not overtighten. Lift plunger to maximum travel and release.

- Manually depress solenoid plunger into the solenoid frame and release, allowing it to snap up. Repeat this process several times to set solenoid air gap. (See *Self-Adjust Maintenance* Section for proper air gap measurement or corrective action for improper gap.)
- To protect insulation of optional heater and coil leads coming up from the support plate around the solenoid frame and the torque spring, slide fiberglass tubing (70B) over the lead wires.
 

Replace and/or remake connections on all internal electrical hardware, as originally installed. (See Section on *Electrical Connection of Brake*.)
- Complete external electrical connection. (See Section on *Electrical Connection of Brake*.)
- Check that friction disc(s) rotates freely when the solenoid plunger is held firmly against the solenoid frame. If binding or sticking occurs, recheck Steps 6, 7, 8, 9 and 10.
- Reinstall housing (7) to endplate (2), being careful to guide the manual release rod (146) through hole in the housing. Do not hang the housing from the release rod, as this may bend the rod making it inoperable. Install the housing screws (15S) and short screw (15A) with lock washers (15W) and torque to 740 lb-in.

**Note:** Since a small diametrical clearance exists between the housing and the endplate, care must be taken that this clearance is maintained. Diameters and surfaces must be free of burrs, nicks and dirt to insure a proper fit.

### Method II - Foot Mounted Brake

- The foot mounted brake is factory set and ready to install. Note of *Installation Instructions* applies

to foot mounted brakes as well as motor mounted brakes.

- Couple brake directly to output shaft of the drive system. Alignment of the shafts must be within the recommended limits as specified by the coupling manufacturer. The use of dowels is recommended to insure permanent alignment. Do not subject brake shaft (35) to side or overhung loads.
- See *Electrical Connection*. For housing (7) removal see *Installation*, Method I, Item 1.

### Electrical Connection of the Brake

**CAUTION: Inverter Motor and Special Control Systems.** This brake contains either a single phase AC coil or DC coil that requires instantaneous power within  $\pm 10\%$  of rating at the coil. A separate power source is required when this brake is used in conjunction with a motor or control system that limits voltage or current input (i.e. inverter motors) or causes a ramping of the power supply.

**Note 1:** Be sure lead wires to coil are not tight or pinched, and that leads will not be rubbed by friction disc, trapped between solenoid plunger and frame, caught between lever arm and endplate, or by linkage.

**Note 2:** On brakes with space heater, connect to appropriate power source. Heater is to be energized continuously, even during storage, to prevent condensation and potential rusting. The Series 87,300 Brake is equipped with an AC single-phase coil. Connect single voltage coil to any two leads on single or three-phase motor of the same voltage as the brake. Refer to brake nameplate and coil number for correct voltage and frequency. The brake can also be wired to external switch contacts, providing proper voltage other than that used to control the motor with the motor and brake contacts interlocked. Method of connecting a dual voltage coil for use on low or high voltage is shown in Figure 4. Connect power source to coil terminals.

### Connecting AC solenoid coils to dual voltage 230/460 three-phase motors

Dual voltage coils are factory pre-connected for high voltage with wire nuts. Checking coil connection is suggested.

### AC Voltage Coil Connection

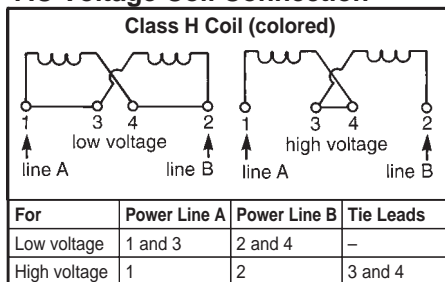


Figure 4

To use a 230 volt coil (or a 230/460 dual voltage coil connected for 230 volts) with a 230/460 dual voltage, three-phase motor, brake leads are connected across two motor terminals as shown in Figure 5, or two equivalent combinations. Brake will operate on 230 volts whether motor is connected for 230 or 460 volts.

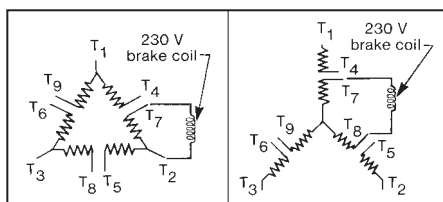


Figure 5

See Figure 6 for proper connections of protector switch TSW2, optional warning switch TSW1, optional heater and optional microswitches.

### General Maintenance

**Warning!** Any mechanism or load held in position by the brake should be secured to prevent possible injury or damage to equipment before any disassembly of the brake is attempted or the manual release knob is operated on the brake. Observe all cautions listed at the beginning of this manual.

**Note 1:** Do not lubricate any parts of the brake.

#### A. Coil replacement

- For housing removal see *Installation*, Method I, Item 1.
- Disconnect coil leads.
- For 10, 15, 25 and 50 lb-ft brakes, remove solenoid link screw (13C), nut (13N) and lift out solenoid plunger (29).
  - For 35, 75 and 105 lb-ft brakes, remove three mounting screws (132) and lock washers (132W). A hex key with shortened leg is helpful.
- For metallic plunger guides (82), remove plunger guide screws (84). Remove both plunger guides (82) by

prying up on the flanges. Replace plunger guides if worn or damaged.

- Slide coil (12A) out from solenoid frame (79) in the direction of the coil terminals. If necessary, tap coil lightly with a soft hammer. If solenoid coil had burned out, be sure to remove all foreign material from the solenoid plunger (29) and solenoid frame (79).
  - Install new coil (12A) into solenoid frame with same relative position as old coil. Assemble new metallic plunger guides (82), plunger guide screw(s) (84).
  - Reassemble plunger into solenoid by reversing Step 3.
    - For 35, 75 and 105 lb-ft brakes, slide solenoid frame with the installed coil over solenoid plunger (29) and attach to support plate assembly (142) with three mounting screws (132) and lock washers (132W). Before tightening mounting screws, align solenoid plunger and solenoid frame so that mating surfaces are parallel. This can be accomplished by manually pulling the plunger down into its sealed position.
    - Tighten the three mounting screws (132) to 50-55 lb-in torque. Be certain that three lock washers (132W) are used.
  - On dual voltage coils, observe the lead numbering sequence for proper connection. (See *Electrical Connection*.)
  - Be sure lead wires to coil are not tight or pinched; leads must not be rubbed by friction disc; leads must not be trapped between solenoid plunger and frame.
  - Check air gap per *Self-Adjust Maintenance*.
  - Reconnect coil leads.
  - Reinstall housing (7) to endPlate (2) per *Installation*, Method I, Step 19.
- Caution!** Do not run motor with brake in manual release position. It is intended only for emergency manual movement of the driven load, not as a substitute for full electrical release.

#### B. Friction disc replacement

Replace friction disc in single disc brakes when wear surface area is one half the original disc thickness (approximately .100 thick). In multiple disc brakes, replace all friction discs when throat of lever arm (17) is within 1/16" of touching the teeth on pinion (32).

# Stearns® Spring-Set Disc Brakes

**WARNING** – The thermostats mounted in this brake must be wired into control circuit to limit the brake external surface temperature.

**NOTE FOR DUAL VOLTAGE CONNECTION ONLY.** Solenoid coil is factory wired for high voltage. Black coil leads 1 and 2, only coil leads extending outside of brake enclosure, always connects to power. For lower rated voltage connection, rewire coil internally per dual voltage diagram on solenoid frame.

Warning device TSW1 indicates the approach of an abnormal high temperature condition. The duty cycle should be reduced when TSW1 opens activating the warning device electrical circuit, indicating an abnormally hot condition. If the warning is not needed and the temperature continues to rise, switch TSW2 will open the motor circuit and cause the brake to set. In moist atmospheres a heater is recommended and should be energized whenever the brake is set.

Color coded lead wires are provided for each microswitch, (SW1 - for brake release and SW2 - for maximum wear indicator). Lead wires are factory wired to N.O. microswitch contacts. Customer may reconnect to N.C. contacts if so desired.

Ratings Vac			
TSW1		TSW2	
Volts	Amps	Volts	Amps
575	1.25	575	1.25
460	1.56	460	1.56
230	3.13	230	3.13
120	6.00	120	6.00

Ratings Vac Optional Heater	
Volts	Watts
120	30
240	30

Ratings for Optional Microswitches	
240 Vac	15A
115 Vdc	.5A

## Typical Connection Diagram

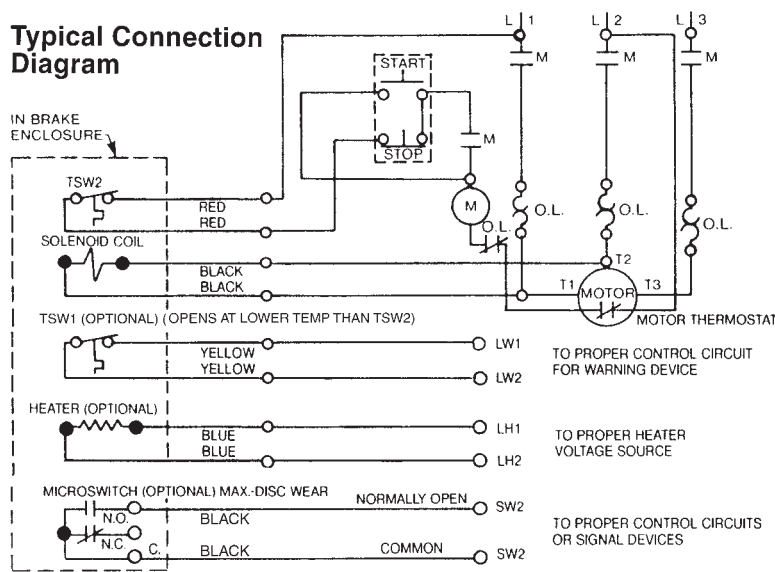


Figure 6

Replacement friction discs are available in kits. See *Installation*, Method I, Steps 1 through 5 and 10 through 19.

### C. Other standard replacement parts

Piece parts and some kits or assemblies are available.

### D. Self-adjust maintenance (see Figure 7)

For housing removal see *Installation*, Method I, Item 1. Since the self-adjust brake automatically adjusts itself for friction disc wear, maintenance is held to a minimum. The solenoid is factory set with a 13/16" to 15/16" air gap, and requires no resetting, even when changing friction discs. Manually lift solenoid plunger to maximum travel. Depress fully and allow solenoid plunger to snap out several

times. Measure solenoid air gap between mating surfaces of solenoid frame and solenoid plunger. (On vertically mounted brakes, it will be necessary to push solenoid plunger into solenoid frame to the point where spring pressure is felt, before measuring solenoid air gap.) The gap is determined by the position of wrap spring stop (76). The normal operating gap is 13/16" to 15/16". Should this change, follow the steps listed below:

1. If stop screws (76S) had been loosened and retightened, the air gap may require resetting. The gap is measured between mating surfaces of plunger (29) and solenoid frame (79), and may be increased by raising slightly, or decreased by lowering slightly, wrap spring stop (76). Be

sure to retighten stop screws (76S). Manually lift plunger to maximum travel and release. Depress plunger, manually, and allow it to snap up. Repeat several times, then recheck air gap. (For vertically mounted brakes, see first part of this Section D.)

2. Tang of wrap spring (71) must be below, and must make contact with, wrap spring stop (76) when solenoid lever (28) is manually raised. If stop is bent outward, allowing tang to bypass it, rebend to square position, assemble correctly, and reset solenoid air gap as described in Step 1 of this Section.
3. Should air gap disappear, causes are overheating plus oil or other lubricant may have been applied to solenoid lever and pinion assembly (8). Remove support plate assembly (142). Loosen pressure spring nut (19) until pressure spring (11) is free. Remove cotter pin (8P) from solenoid lever (28) and retaining ring (131R) from pivot pin (131). Note location of spacer washer (138) if used, and push pivot pin out to free affected assembly. Remove retaining ring (32R) from pinion (32) and disassemble. Parts should be thoroughly cleaned in a clean solvent that does not leave a film (such as Methyl Ethyl Ketone). Dry all parts thoroughly and reassemble. Be sure that wrap spring (71) is tight against side face of solenoid lever (28), and that end of last turn touches (without preload) the square protruded stop of the solenoid lever. Reassemble in reverse order of steps in this paragraph. Do not retighten cap screw (19) until support plate assembly is mounted on end-plate. Refer to Steps 11 through 19 of *Installation Procedure* to complete assembly.
4. Check condition and positioning of pinion (32) and rack (part of lever arm assembly, 17). Replace parts as necessary with complete assemblies, see following sections.

### E. Solenoid lever and pinion assembly replacement

If pinion (32) teeth are worn, replace entire solenoid lever and pinion assembly (8). Consult appropriate parts list for kit number. See disassembly procedure, this Section, Item D3. Check sector gear of lever arm (17) for wear.

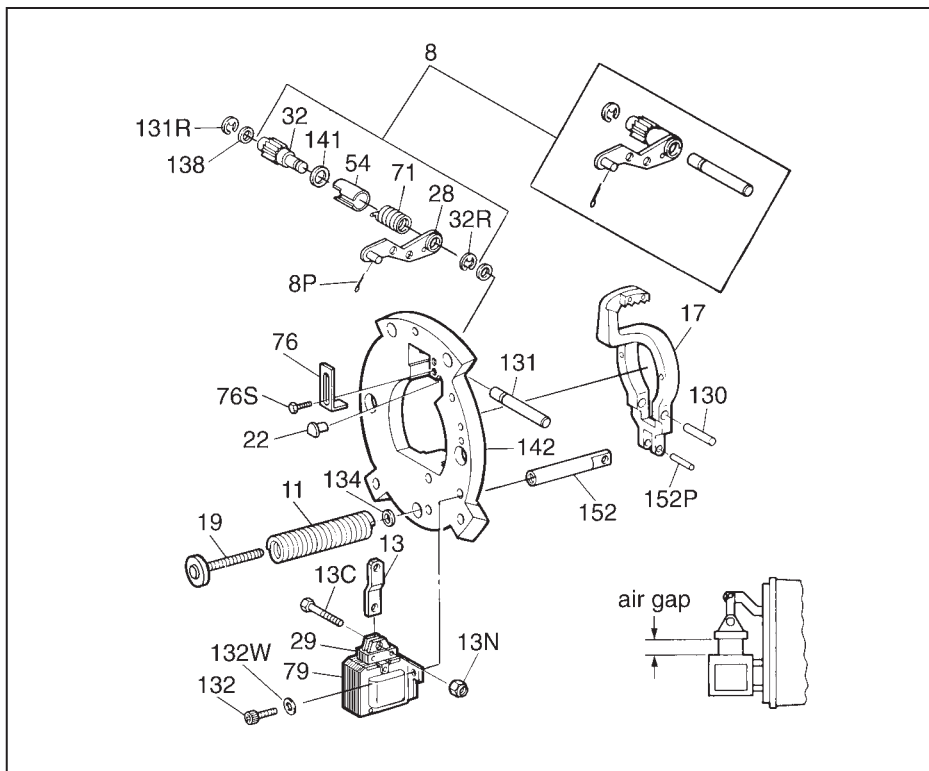


Figure 7

**F. Lever arm replacement**

If sector gear teeth of lever arm (17) are worn, replace entire lever arm assembly. Available as a kit from appropriate repair parts list. Also check pinion (32) teeth for wear.

**Note:** Refer to Steps 11 through 19 of *Installation Procedure* to complete assembly.

**Troubleshooting**

(Observe all cautions listed at the beginning of this manual)

**If brake does not stop properly or overheats, check the following:**

1. Is manual release engaged, and is motor energized?
2. Friction discs may be excessively worn, charred or broken.
3. Hub may have become loose and shifted on shaft.
4. Is hub clean, and do friction discs slide freely?
5. Are controls which govern start of braking cycles operating properly?
6. Are limit switches, electric eyes, etc. functioning properly?
7. On vertically mounted brakes, are vertical mounting springs and spacers (if used) in place in disc pack?

8. Pressure spring may be improperly assembled or broken.
9. Is solenoid air gap adjusted correctly? (See *Self-Adjust Maintenance*.)
10. Check linkage for binding. The approximate pressure applied to the top of the solenoid link to move plunger is:

#5 coil	3 lbs
#6 coil (16 lb-ft)	5-1/2 lbs
#6 coil (25 lb-ft)	9 lbs
#8 coil	16 lbs

If excessive force is required, determine cause of binding and correct. Do not overlook bent, worn or broken plunger guides as a possible cause for binding.

11. Solenoid lever stop (22) must be in place on support plate.
12. Solenoid may not be energizing and releasing the brake. Check voltage at the coil and compare to the coil and/or nameplate voltage rating.
13. A voltage drop may be occurring. If excessive drop in voltage is noted, check wire size of power source. Correct as needed.

**Note:** A method to check voltage at coil is to insert a block of wood of the approximate thickness of the solenoid air gap between the solenoid

frame and plunger. (The block will prevent brake from releasing when coil is energized.) Connect voltmeter leads at the coil terminals or lead wires. Energize coil. Voltmeter needle will not fluctuate and reading can be taken. Reading should be taken immediately and the coil de-energized to prevent overheating of the coil. Compare voltage reading with coil rating. Since brake will be energized during this procedure, be sure a nonexplosive atmosphere exists at time of test or **DO NOT PERFORM!**

14. Check slots of endplate for wear at the areas where stationary discs are located. Grooves in the slots can cause hang-up or even breakage of ears of stationary discs. If grooving is noted, replace endplate.
15. Check that close-up pipe plugs (25) do not extend above wear surface of endplate face.
16. On vertical above brakes, check the vertical mounting pins to be sure shoulder of pin is flush with wear surface of endplate. Be sure pins are straight and the pressure plate and stationary disc(s) are free to slide on the pins. Be sure springs and spacers are installed in proper order. That disc pack slides freely in slots and friction discs slide freely on hub.
17. On vertical below brakes, check that springs and spacers (if used) are installed in proper order. Be sure pins are straight and stationary disc(s) are free to slide on pins. That disc pack slides freely in slots and friction discs slide freely on hub.
18. On foot mounted brakes, recheck alignment and condition of shaft bearings (36). Refer to *Installation Procedure*, Method II, Items 1 and 2.
19. Check that brake coil is energized at the same time as, or prior to, motor and de-energized at the same time, or after, motor.
20. Check pressure spring length to insure correct compressed height. Original spring lengths are given in the following table so that correct setting may be verified and corrected if necessary. With worn friction disc, add amount of wear to spring length shown in next column.
21. If a heater is supplied and excess rusting has occurred in brake, check power source to heater to be sure

Color	Torque (lb-ft)	Compressed Spring Length
Blue	10	3-5/16"
Yellow	15	3-9/16"
Red	25 & 50	3-3/8"
Green	35, 75 & 105	3-3/8"
Black	10	3-1/4"
White	15	3-1/4"
Orange	25 & 50	3-1/4"
Purple	35, 75 & 105	3-1/4"

it is operating and that heater is not burned out.

22. If stopping time is more than one second (rule of thumb) and/or the application is more than five stops per minute, check thermal requirements of load versus thermal rating of brake.

**If brake hums, solenoid pulls in slowly, or coil burnt out, check the following:**

1. Voltage supply at coil versus coil rating.
2. Is solenoid air gap excessive? (See *Self-Adjust Maintenance*.)
3. Shading coils may be broken.
4. Plunger guides may be excessively worn.

Does solenoid plunger rub on solenoid frame laminations? If so, replace plunger guides.

5. Solenoid frame and plunger may be excessively worn.
6. Is solenoid dirty?
7. Solenoid mounting screws may have become loose, causing frame to shift and plunger to seat improperly.
8. Sector gear and pinion teeth may be jamming due to excessive tooth wear.
9. Excessive voltage drop when motor starts. Check size of lead wires for motor starting current and solenoid inrush current. See Step 13 of this Section.

**If brake is noisy during stopping:**

1. Check mounting face run out, mounting rabbet eccentricity and shaft run out. See *Installation Motor Checkout - Motor Mounted Brake*. Note 1. Correct as required.
2. In cases where motor shaft extends through a fan casing or guard, the clearance hole may not be adequate. Rubbing of the shaft may occur causing a noise during a stop. If required, additional shaft support may be required.
3. Check for bad motor bearings. Replace if necessary. Check for excessive shaft endfloat. Correct as required.



Rexnord Industries, LLC  
Stearns Division  
5150 S. International Dr.  
Cudahy, Wisconsin 53110

Phone (414) 272-1100 Fax (414) 277-4364 [www.stearns.rexnord.com](http://www.stearns.rexnord.com)

# Stearns® Spring-Set Disc Brakes

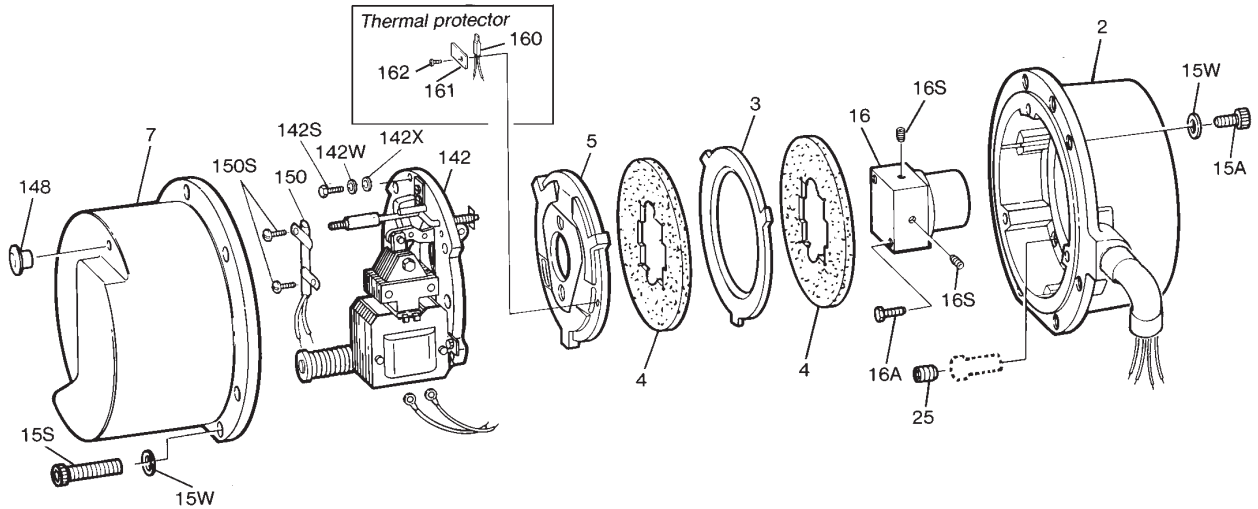
## Parts List for 87,300-00 Series Brakes (NEMA 2)

### Information required when ordering replacement parts:

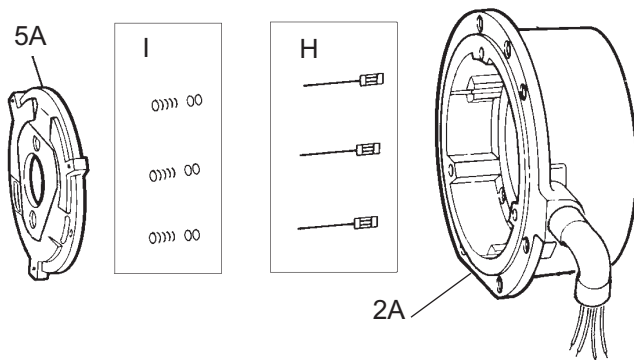
- Give part number of parts or kits needed, brake model number, and brake serial number. The brake model and serial number may identify special brakes not covered by this parts list.
- When ordering hubs, specify shaft diameter (hub bore) and keyway.
- Shaded description items are recommended spare parts. One set per 5 brakes in service are recommended

For installation and service instructions, see P/N 8-078-927-03.

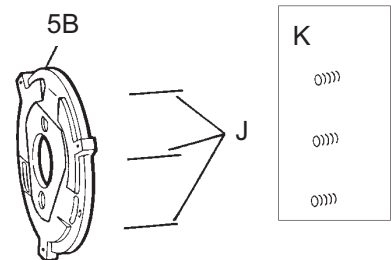
Detailed service instruction sheet is included with each kit.



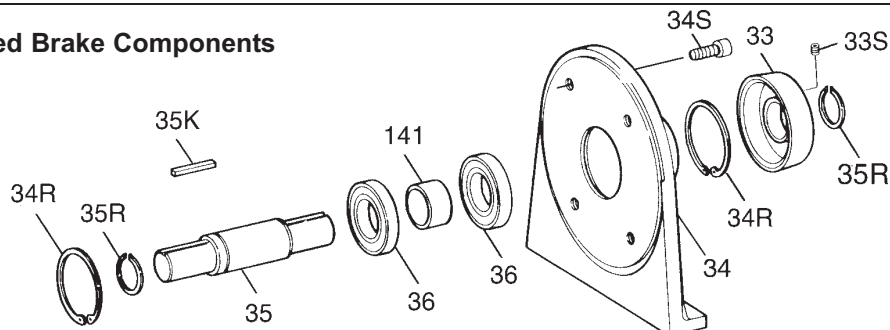
### Vertical Above Components (brake above motor)



### Vertical Below Components (brake below motor)



### Floor Mounted Brake Components



**TABLE 1- Components of Standard Brake**

Item	Description	Part Number↓	Style					Motor Mounted					Floor Mounted				
			Torque (lb-ft)	10	15	25	35	50	75	105	10	15	25	35	50	75	105
Brake Model Number→			1-087-311-00	1-087-321-00	1-087-331-00	1-087-341-00	1-087-351-00	1-087-361-00	1-087-381-00	1-087-312-00	1-087-322-00	1-087-332-00	1-087-342-00	1-087-352-00	1-087-362-00	1-087-382-00	
2	Endplate assembly <i>(includes union and lead wires with fiberglass tubing)</i>	5-50-7031-00 5-50-7032-00 5-50-7033-00	1	1	1	1	1	1	1	1	1	1	1	1	1	1	
3	Stationary disc kit (horiz. or vert.)	5-66-8372-00	1	1	1	1	1	1	2	1	1	1	1	1	1	2	
4	Friction disc	5-66-8486-00	1	1	1	1	2	2	3	1	1	1	1	2	2	3	
5	Pressure plate	8-005-702-06	1	1	1	1	1	1	1	1	1	1	1	1	1	1	
7	Housing	8-007-739-11	1	1	1	1	1	1	1	1	1	1	1	1	1	1	
15A	Cap screw – housing removal	9-17-3210-00	1	1	1	1	1	1	1	1	1	1	1	1	1	1	
15S	Cap screw – housing	9-17-3224-00	7	7	7	7	7	7	7	7	7	7	7	7	7	7	
15W	Lock washer	9-45-1332-00	8	8	8	8	8	8	8	8	8	8	8	8	8	8	
16	Hub and set screw assembly	5-16-7123-00	1	1	1	1	1	1	1	1	1	1	1	1	1	1	
16A	Hub and set screw assembly	5-16-7124-00	1	1	1	1	1	1	1	1	1	1	1	1	1	1	
25	Screw-hub positioning Pipe plug	9-10-3032-00 9-33-0184-00	1 4	1 4	1 4	1 4	1 4	1 4	1 4	1 4	1 4	1 4	1 4	1 4	1 4	1 4	
33	Floor stand collar	8-033-701-01								1	1	1	1	1	1	1	
33S	Set screw	9-22-1006-00								2	2	2	2	2	2	2	
34	Floor stand	8-034-702-01								1	1	1	1	1	1	1	
34R	Retaining ring	9-03-0003-00								2	2	2	2	2	2	2	
34S	Cap screw	9-17-1420-00								4	4	4	4	4	4	4	
35	Brake shaft	8-035-743-00								1	1	1	1	1	1	1	
35K	Brake shaft Key Key	8-035-744-00 9-50-1238-00 9-50-1254-00								1	1	1	1	1	1	1	
35R	Retaining ring	9-03-0002-00								2	2	2	2	2	2	2	
36	Ball bearing	9-01-6706-00								2	2	2	2	2	2	2	
141	Bearing spacer	8-141-701-00								1	1	1	1	1	1	1	
150	Space heater 115V (optional)	9-62-2054-00	1	1	1	1	1	1	1	1	1	1	1	1	1	1	
150S	Screw – space heater	9-25-7321-00	2	2	2	2	2	2	2	2	2	2	2	2	2	2	

**TABLE 2 - Components of Standard Brake and Components for Vertical Applications**

Item	Description	Part Number ↓	Torque (lb-ft)																							
			10	15	25	35	50	75	105	1-087-311-00	1-087-312-00	1-087-321-00	1-087-322-00	1-087-331-00	1-087-332-00	1-087-341-00	1-087-342-00	1-087-351-00	1-087-352-00	1-087-361-00	1-087-362-00	1-087-381-00	1-087-382-00			
142*	Support plate assembly Support plate assembly Support plate assembly Support plate assembly	5-42-7301-00 5-42-7303-00 5-42-7305-00 5-42-7307-00	1	1	1	1	1	1	1	1	1	1	1	1	1	1	1	1	1	1	1	1	1	1	1	
142S	Screw - support plate	9-16-3014-01	3	3	3	3	3	3	3	3	3	3	3	3	3	3	3	3	3	3	3	3	3	3	3	
142W	Conical spring washer	9-46-0006-00	3	3	3	3	3	3	3	3	3	3	3	3	3	3	3	3	3	3	3	3	3	3	3	
142X	Flat washer, 1/4 I.D. × 9/16 O.D.	9-46-0005-00	3	3	3	3	3	3	3	3	3	3	3	3	3	3	3	3	3	3	3	3	3	3	3	
148	Release knob	8-148-703-00	1	1	1	1	1	1	1	1	1	1	1	1	1	1	1	1	1	1	1	1	1	1	1	
160	Thermal protector (TSW2)	9-62-8017-00	1	1	1	1	1	1	1	1	1	1	1	1	1	1	1	1	1	1	1	1	1	1	1	
161	Lock plate	8-076-713-00	1	1	1	1	1	1	1	1	1	1	1	1	1	1	1	1	1	1	1	1	1	1	1	
162	Screw - lock plate	9-14-2704-00	1	1	1	1	1	1	1	1	1	1	1	1	1	1	1	1	1	1	1	1	1	1	1	
<b>Vertical Above Modification**</b>																										
2A	Endplate assembly <i>(includes union, lead wires with fiberglass tubing and vertical above pins)</i>	5-50-7034-00 5-50-7035-00 5-50-7036-00	1	1	1	1	1	1	1	1	1	1	1	1	1	1	1	1	1	1	1	1	1	1	1	
I	Vertical above spring and spacer kit	5-66-3171-00	1	1	1	1	1	1	1	1	1	1	1	1	1	1	1	1	1	1	1	1	1	1	1	
5A	Pressure plate	8-005-702-07	1	1	1	1	1	1	1	1	1	1	1	1	1	1	1	1	1	1	1	1	1	1	1	
H	Vertical above pin	8-061-711-00	3	3	3	3	3	3	3	3	3	3	3	3	3	3	3	3	3	3	3	3	3	3	3	
	Vertical above pin	8-061-712-00																								
	Vertical above pin	8-061-712-00																								
<b>Vertical Below Modification**</b>																										
5B	Pressure plate - less pins (Item J)	8-005-702-08																								
J	Vertical mounting pin	8-061-715-00																								
	Vertical mounting pin	8-061-716-00																								
K	Vertical below spring kit - green	5-66-3172-00																								
	Vertical below spring kit - red	5-66-3173-00																								

\*Coil (kit V) is separate.

\*\*Must also order Item 3 (Table 1) for stationary disc, horizontal or vertical, kit.



TABLE 3-Components of Support Plate-5-42-730X-00

Item	Description	Part Number	Torque (lb-ft)			
			10	15	25 & 50	35, 75 & 105
126	Support plate and bearing assembly	5-26-7007-00	1	1	1	
	Support plate and bearing assembly	5-26-7008-00				1
8	Solenoid lever and pinion kit	5-66-7371-00	1	1	1	1
17	Lever arm kit	5-66-7271-00	1	1	1	1
19 & 152	Pressure spring tube kit	5-66-7471-00	1	1	1	1
11	Pressure spring kit-black (formerly blue)	5-66-3072-00	1	1		
	Pressure spring kit-white(formerly yellow)	5-66-3074-00			1	
	Pressure spring kit-orange (formerly red)	5-66-3076-00				1
	Pressure spring kit-purple (formerly green)	5-66-3078-00				
U	No. 5 AC solenoid kit	5-66-5051-00	1			
	No. 6 AC solenoid kit	5-66-5061-00		1	1	
	No. 8 AC solenoid kit	5-66-5081-00				1
13	Solenoid link	8-013-703-00	1	1	1	
	Solenoid link	8-013-704-00				1
13C	Solenoid link cap screw	8-157-701-00	1			
	Solenoid link cap screw	8-157-702-00		1	1	
	Solenoid link cap screw	8-157-703-00				1
22	Solenoid lever stop	8-022-203-00	1	1	1	1
76	Wrap spring stop	8-076-703-00	1	1	1	1
76S	Screw-stop	9-25-7331-00	2	2	2	2
146	Release rod	5-28-7015-00	1	1	1	1
146R	Spring retainer	8-076-706-00	1	1	1	1
146S	Release spring	9-70-1525-00	1	1	1	1

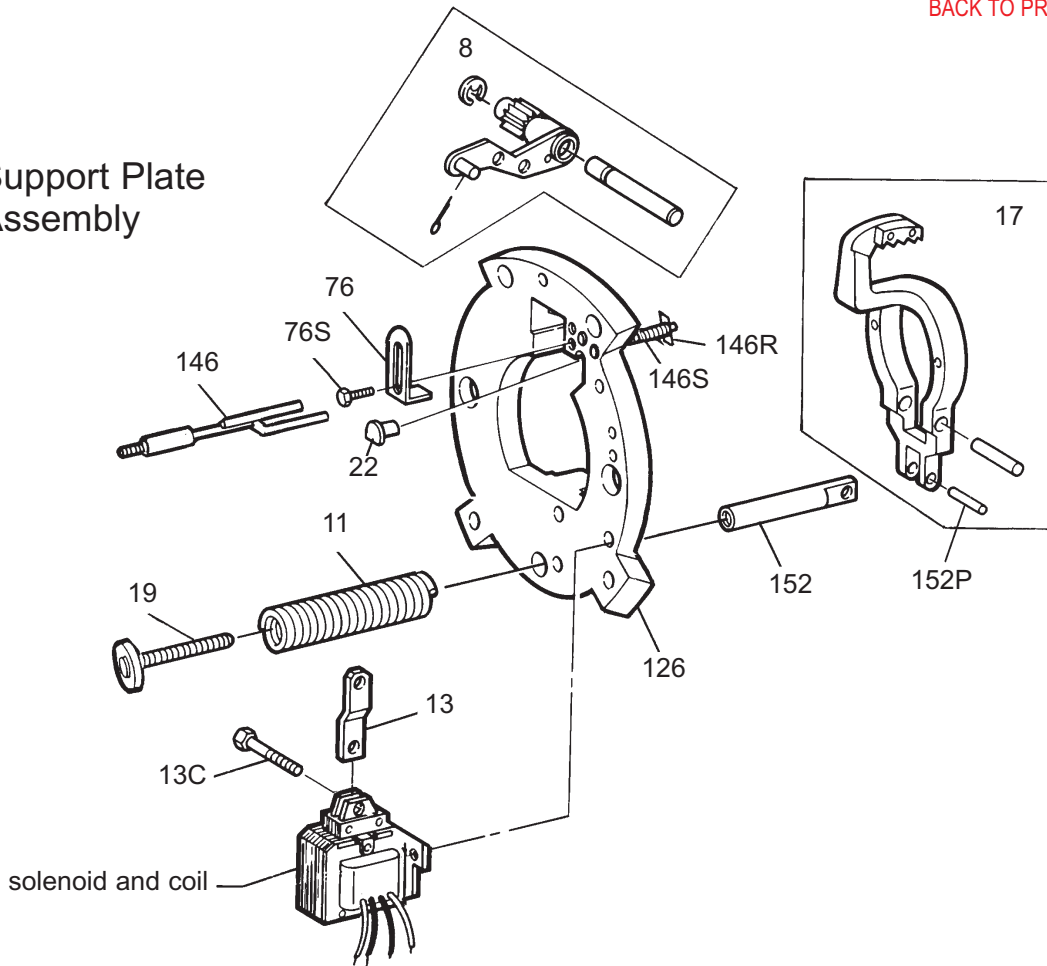
TABLE 4 - Coil Assembly

Item	Description		Part Number	Torque (lb-ft)			
				10	15	25 & 50	35, 75 & 105
V	No.5 Coil Kit 60 Hz	230/460 Vac	5-96-6509-05	1			
		115 Vac	5-96-6501-05	1			
		230 Vac	5-96-6502-05	1			
		460 Vac	5-96-6504-05	1			
		575 Vac	5-96-6505-05	1			
	No.6 Coil Kit 60 Hz	230/460 Vac	5-96-6609-05		1	1	
		115 Vac	5-96-6601-05		1	1	
		230 Vac	5-96-6602-05		1	1	
		460 Vac	5-96-6604-05		1	1	
		575 Vac	5-96-6605-05		1	1	
	No.8 Coil Kit 60 Hz	230/460 Vac	5-96-6809-05				1
		115 Vac	5-96-6801-05				1
		230 Vac	5-96-6802-05				1
		460 Vac	5-96-6804-05				1
		575 Vac	5-96-6805-05				1

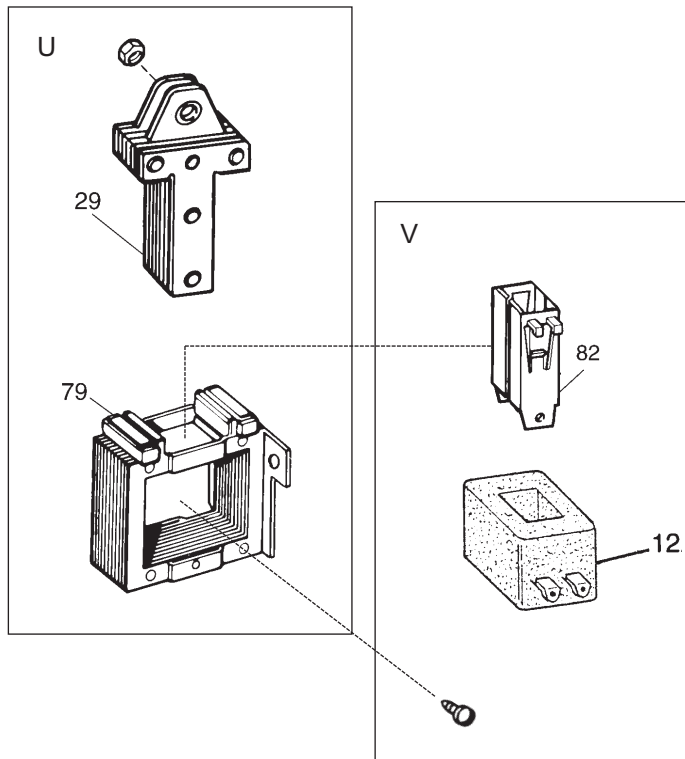
TABLE 5 - Contents of Kits and Assemblies (contents may vary)

Item Designation	Kit Description	Item Designation	Kit Description
3	Stationary disc kit (5-66-8372-00) 1 – Stationary disc (horizontal or vertical)	17	Lever arm kit (5-66-7271-00) 1 – Lever arm assembly 1 – Lever arm pivot pin 1 – Spring tube pivot pin
4	Friction disc kit (5-66-8486-00) 1 – Friction disc	19 /152	Pressure spring tube kit (5-66-7471-00) 1 – Pressure spring tube 1 – Pressure spring screw 1 – Spring tube pivot pin
I	Vertical above spring and spacer kit (5-66-3171-00) 9 – Vertical above mounting springs 9 – Vertical above spring spacers		
K	Vertical below spring kit-green (5-66-3172-00) 3 – Vertical below springs-green	11	Pressure spring kit (5-66-307X-00) 1-Pressure spring
	Vertical below spring kit-red (5-66-3173-00) 3 – Vertical below springs-red	U	AC solenoid kit (5-66-50X1-00) 1 – Plunger 1 – Frame 3 – Solenoid mounting screws 3 – Solenoid mtg. conical spring washers 1 – Solenoid link nut
8	Solenoid lever and pinion kit (5-66-7371-00) 1 – Solenoid lever and pinion assembly 1 – Cotter pin 1 – Solenoid lever pivot pin 1 – Pivot pin retaining ring	V	Coil assembly (5-96-6XXX-05) AC 1 – Coil 2 – Plunger guides 2 – Plunger guide screws

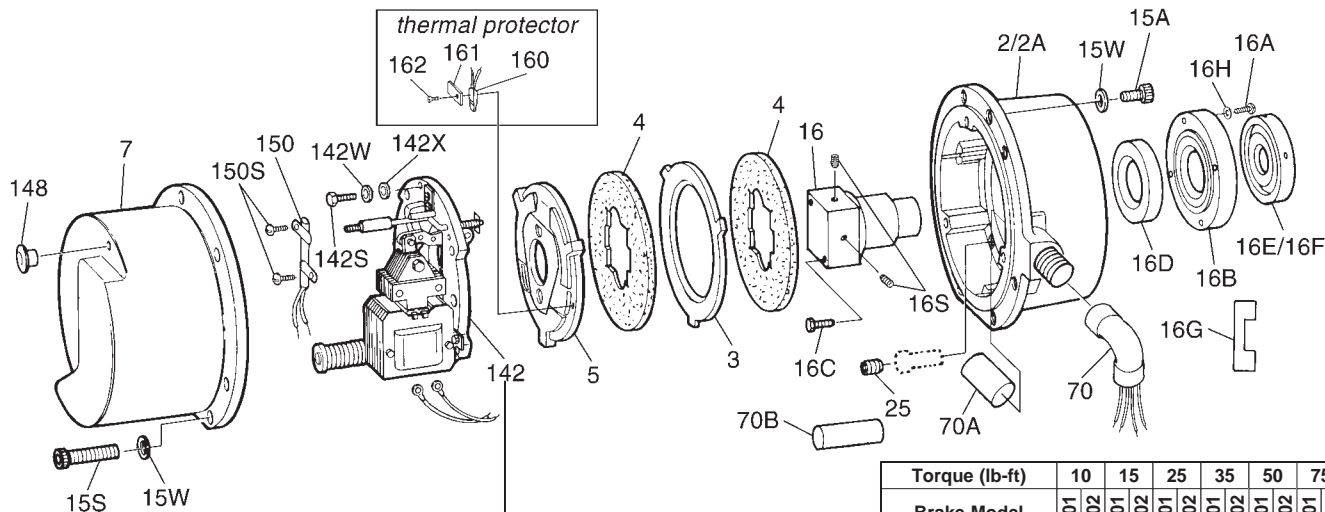
### Support Plate Assembly



### Solenoid and Coil Assembly



## Parts List for 87,300-01 and -02 Series Brakes

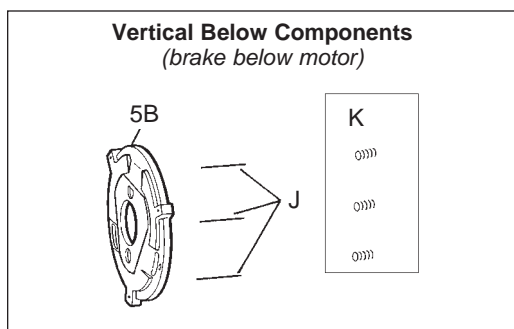
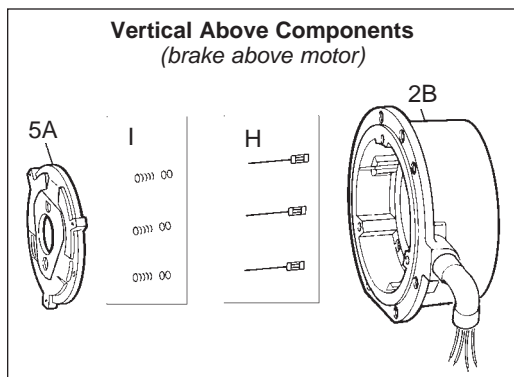


### Information required when ordering replacement parts:

- Give part number of parts or kits needed, brake model number, and brake serial number. The brake model and serial number may identify special brakes not covered by this parts list.
- When ordering hubs, specify shaft diameter (hub bore) and keyway.

For installation and service instructions, see Sheet 300.13A. Detailed service instruction sheet is included with each kit.

			Torque (lb-ft)													
			10	15	25	35	50	75	105							
			Brake Model Number →													
Item	Description	Part Number ↓	1-087-311-01	1-087-311-02	1-087-321-01	1-087-321-02	1-087-331-01	1-087-331-02	1-087-341-01	1-087-341-02	1-087-351-01	1-087-351-02	1-087-361-01	1-087-361-02	1-087-381-01	1-087-381-02
16E	Slinger	8-103-708-01	1	1	1	1	1	1	1	1	1	1	1	1	1	1
16F	Slinger set screw	9-22-0804-00	2	2	2	2	2	2	2	2	2	2	2	2	2	2
16G	Slinger positioning template	8-141-714-00	1	1	1	1	1	1	1	1	1	1	1	1	1	1
2	Endplate assembly	5-50-7041-00-30*	1	1	1	1	1	1	1	1	1	1	1	1	1	1
consult factory	Endplate assembly	5-50-7042-00-30*														
consult factory	Endplate assembly	5-50-7043-00-30*														1
3	Stationary disc kit (hor. or vert.)	5-66-8372-00											1	1	2	2
4	Friction disc	5-66-8486-00	1	1	1	1	1	1	1	1	1	1	1	1	1	1
5	Pressure plate	8-005-702-06	1	1	1	1	1	1	1	1	1	1	1	1	1	1
7	Housing	8-007-739-11	1	1	1	1	1	1	1	1	1	1	1	1	1	1
15A	Cap screw - housing removal	9-17-3210-00	1	1	1	1	1	1	1	1	1	1	1	1	1	1
15S	Cap screw - housing	9-17-3224-00	7	7	7	7	7	7	7	7	7	7	7	7	7	7
15W	Lock washer	9-45-1332-00	8	8	8	8	8	8	8	8	8	8	8	8	8	8
16	Hub and set screw assembly	5-16-7128-00	1	1	1	1	1	1	1	1	1	1	1	1	1	1
	Hub and set screw assembly	5-16-7129-00														1
16C	Screw - hub positioning	9-10-3032-00	1	1	1	1	1	1	1	1	1	1	1	1	1	1
25	Pipe plug	9-33-0184-00	4	4	4	4	4	4	4	4	4	4	4	4	4	4
70B	Fiberglass tubing	8-101-114-07	1	1	1	1	1	1	1	1	1	1	1	1	1	1
142**	Support plate assembly	5-42-7301-00	1													
	Support plate assembly	5-42-7303-00		1												
	Support plate assembly	5-42-7305-00					1				1					
	Support plate assembly	5-42-7307-00							1						1	1
142S	Screw - support plate	9-16-3014-01	3	3	3	3	3	3	3	3	3	3	3	3	3	3
142W	Conical spring washer	9-46-0006-00	3	3	3	3	3	3	3	3	3	3	3	3	3	3
142X	Flat washer, 1/4 I.D. x 9/16 O.D.	9-46-0005-00	3	3	3	3	3	3	3	3	3	3	3	3	3	3
148	Release knob	8-148-703-00	1	1	1	1	1	1	1	1	1	1	1	1	1	1
150	Space heater 115 V (optional)	9-62-2054-00	1	1	1	1	1	1	1	1	1	1	1	1	1	1
150S	Screw - space heater	9-25-7321-00	2	2	2	2	2	2	2	2	2	2	2	2	2	2
160	Thermal protector (TSW2)	9-62-8017-00	1	1	1	1	1	1	1	1	1	1	1	1	1	1
161	Lock plate	8-076-713-00	1	1	1	1	1	1	1	1	1	1	1	1	1	1
162	Screw - lock plate	9-14-2704-00	1	1	1	1	1	1	1	1	1	1	1	1	1	1
<b>Vertical Above Modification - must also order Item 3 (above) for stationary disc, horizontal or vertical, kit</b>																
2B	Endplate assembly (includes union, lead wires with fiberglass tubing, and vertical above pins)	5-50-7044-00	1	1	1	1	1	1	1	1	1	1	1	1	1	1
consult factory		5-50-7045-00														
consult factory		5-50-7046-00														1
I	Vertical above spring & spacer kit	5-66-3171-00	1	1	1	1	1	1	1	1	1	1	1	1	1	1
5A	Pressure plate	8-005-702-07	1	1	1	1	1	1	1	1	1	1	1	1	1	1
H	Vertical above pin	8-061-711-00	3	3	3	3	3	3	3	3	3	3	3	3	3	3
	Vertical above pin	8-061-712-00											3	3		
	Vertical above pin	8-061-713-00														3
<b>Vertical Below Modification - must also order Item 3 (above) for stationary disc, horizontal or vertical, kit</b>																
5B	Pressure plate - less pins (Item J)	8-005-702-08											1	1	1	1
J	Vertical mounting pin	8-061-715-00											3	3		
	Vertical mounting pin	8-061-716-00														3
K	Vertical below spring kit - green	5-66-3172-00											1	1		
	Vertical below spring kit - red	5-66-3173-00														1



\* Indicate leadwire position B or C

### Support Plate Assembly

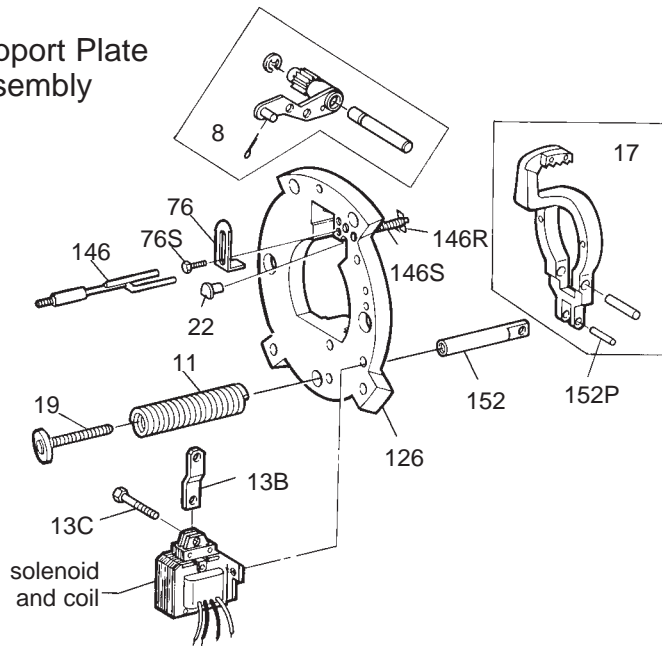


TABLE 2 - Components of Support Plate 5-42-730X-00 Assembly

Item	Description	Part Number	Torque (lb-ft)			
			10	15	25 & 50	35, 75 & 105
126	Support plate and bearing assembly Support plate and bearing assembly	5-26-7007-00 5-26-7008-00	1	1	1	1
8	Solenoid lever and pinion kit	5-66-7371-00	1	1	1	1
17	Lever arm kit	5-66-7271-00	1	1	1	1
19	Pressure spring tube kit	5-66-7471-00	1	1	1	1
11	Pressure spring kit - black (formerly blue) Pressure spring kit - white (formerly yellow) Pressure spring kit - orange (formerly red) Pressure spring kit - purple (formerly green)	5-66-3072-00 5-66-3074-00 5-66-3076-00 5-66-3078-00	1	1	1	1
U	No. 5 AC solenoid kit No. 6 AC solenoid kit No. 8 AC solenoid kit	5-66-5051-00 5-66-5061-00 5-66-5081-00	1	1	1	1
13B	Solenoid link Solenoid link	8-013-703-00 8-013-704-00	1	1	1	1
13C	Solenoid link cap screw Solenoid link cap screw Solenoid link cap screw	8-157-701-00 8-157-702-00 8-157-703-00	1	1	1	1
22	Solenoid lever stop	8-022-203-00	1	1	1	1
76	Wrap spring stop	8-076-703-00	1	1	1	1
76S	Screw - stop	9-25-7331-00	2	2	2	2
146	Release rod	5-28-7015-00	1	1	1	1
146R	Spring retainer	8-076-706-00	1	1	1	1
146S	Release spring	9-70-1525-00	1	1	1	1

TABLE 3 - Coil Assembly

Item	Description	Part Number	Torque (lb-ft)				
			10	15	25 & 50	35, 75 & 105	
V	No. 5 Coil Kit 60 Hz	230/460 Vac	5-96-6509-05	1			
		115 Vac	5-96-6501-05	1			
		230 Vac	5-96-6502-05	1			
		460 Vac	5-96-6504-05	1			
		575 Vac	5-96-6505-05	1			
	No. 6 Coil Kit 60 Hz	230/460 Vac	5-96-6609-05		1	1	
		115 Vac	5-96-6601-05		1	1	
		230 Vac	5-96-6602-05		1	1	
		460 Vac	5-96-6604-05		1	1	
		575 Vac	5-96-6605-05		1	1	
	No. 8 Coil Kit 60 Hz	230/460 Vac	5-96-6809-05				1
		115 Vac	5-96-6801-05				1
		230 Vac	5-96-6802-05				1
		460 Vac	5-96-6804-05				1
		575 Vac	5-96-6805-05				1

Copyright© 2001 by Rexnord Industries, Inc.

Rexnord Industries, Inc., Stearns Division, 5150 S. International Dr., Cudahy, WI 53110, Phone (414) 272-1100 Fax (414) 277-4364

www.stearns.rexnord.com

### Solenoid and Coil Assemblies

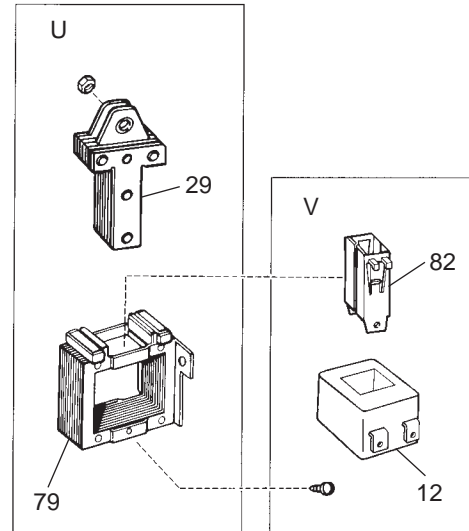


TABLE 4 - Contents of Kits and Assemblies (contents may vary)

Item Designation	Kit Description
3	Stationary disc kit (5-66-8372-00) 1 - Stationary disc (horizontal or vertical)
4	Friction disc kit (5-66-8486-00) 1 - Friction disc
I	Vertical above spring and spacer kit (5-66-3171-00) 9 - Vertical above mounting springs 9 - Vertical above spring spacers
K	Vertical below spring kit - green (5-66-3172-00) 3 - Vertical below springs - green Vertical below spring kit - red (5-66-3173-00) 3 - Vertical below springs - red
8	Solenoid lever and pinion kit (5-66-7371-00) 1 - Solenoid lever and pinion assembly 1 - Cotter pin 1 - Solenoid lever pivot pin 1 - Pivot pin retaining ring
17	Lever arm kit (5-66-7271-00) 1 - Lever arm assembly 1 - Lever arm pivot pin 1 - Spring tube pivot pin
19	Pressure spring tube kit (5-66-7471-00) 1 - Pressure spring tube 1 - Pressure spring screw 1 - Spring tube pivot pin
11	Pressure spring kit (5-66-307X-00) 1 - Pressure spring
U	AC solenoid kit (5-66-50X1-00) 1 - Plunger 1 - Frame 3 - Solenoid mounting screws 3 - Solenoid mounting conical spring washers 1 - Solenoid link nut
V	Coil assembly (5-96-6XXX-05) AC 1 - Coil 2 - Plunger guides 2 - Plunger guide screws

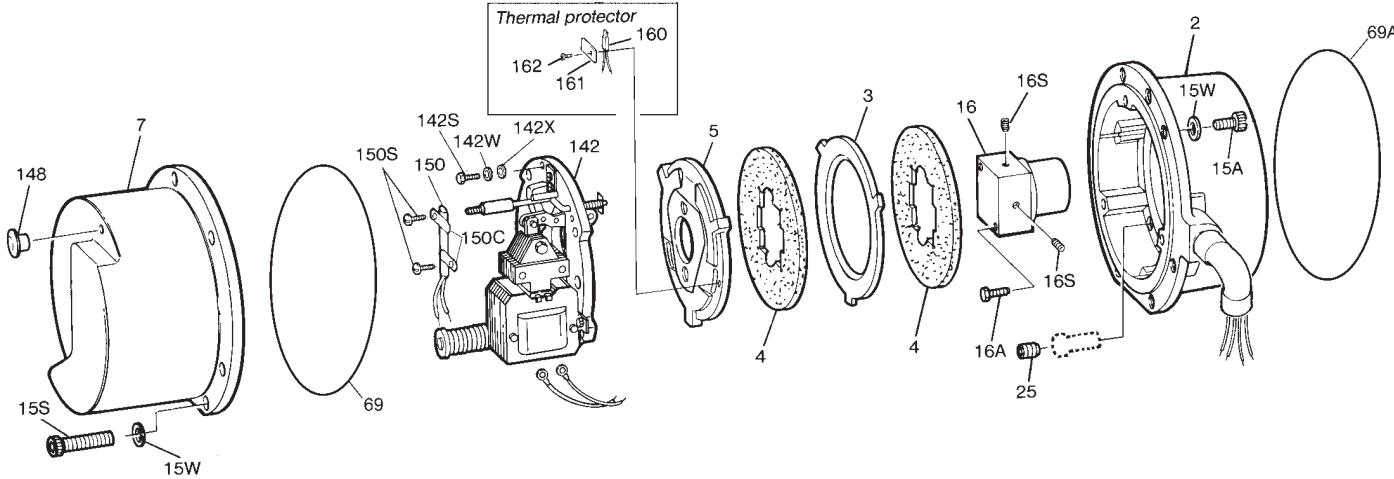
# Stearns® Spring-Set Disc Brakes

## Parts List for 87,300-00 Series Brakes (NEMA 4)

### Information required when ordering replacement parts:

- Give part number of parts or kits needed, brake model number, and brake serial number. The brake model and serial number may identify special brakes not covered by this parts list.
- When ordering hubs, specify shaft diameter (hub bore) and keyway.

For installation and service instructions, see P/N 8-078-927-03.  
Detailed service instruction sheet is included with each kit.



<p><b>Vertical Above Components</b> (brake above motor)</p>	<p><b>Vertical Below Components</b> (brake below motor)</p>
---	---

TABLE 1- Components of Standard Brake

Item	Description	Part Number↓	Style		Motor Mounted					
			Torque (lb-ft)		10	15	25	35	50	75
			Brake Model Number→	1-087-314-00	1-087-324-00	1-087-334-00	1-087-344-00	1-087-354-00	1-087-364-00	1-087-384-00
2	Endplate assembly <i>(includes union and lead wires with fiberglass tubing)</i>	5-50-7031-00 5-50-7032-00 5-50-7033-00	1	1	1	1	1	1	1	1
3	Stationary disc kit (horiz. or vert.)	5-66-8372-00	1	1	1	1	1	1	1	2
4	Friction disc	5-66-8486-00	1	1	1	1	2	2	2	3
5	Pressure plate	8-005-702-06	1	1	1	1	1	1	1	1
7	Housing & seal assembly	5-07-7053-00	1	1	1	1	1	1	1	1
15A	Cap screw – housing removal	9-17-3210-00	1	1	1	1	1	1	1	1
15S	Cap screw – housing	9-17-3224-00	7	7	7	7	7	7	7	7
15W	Lock washer	9-45-1332-00	8	8	8	8	8	8	8	8
16	Hub and set screw assembly	5-16-7123-00	1	1	1	1	1	1	1	1
	Hub and set screw assembly	5-16-7124-00								1
16A	Screw-hub positioning	9-10-3032-00	1	1	1	1	1	1	1	1
25	Pipe plug	9-33-0184-00	4	4	4	4	4	4	4	4
69	O-ring (housing)	8-073-002-08	1	1	1	1	1	1	1	1
69A	O-ring (endplate)	8-073-002-03	1	1	1	1	1	1	1	1
150	Space heater 115v (optional)	9-62-2057-00	1	1	1	1	1	1	1	1
	Space heater 230v (optional)	9-62-2060-00	1	1	1	1	1	1	1	1
150C	Heater clamp	9-61-0077-00	2	2	2	2	2	2	2	2
150S	Heater mounting screw	9-25-7322-00	2	2	2	2	2	2	2	2

TABLE 2 - Components of Standard Brake and Components for Vertical Applications

Item	Description	Part Number ↓	Torque (lb-ft)	10	15	25	35	50	75	105
			Brake Model Number →	1-087-314-00	1-087-324-00	1-087-334-00	1-087-344-00	1-087-354-00	1-087-364-00	1-087-384-00
142*	Support plate assembly Support plate assembly Support plate assembly Support plate assembly	5-42-7301-00 5-42-7303-00 5-42-7305-00 5-42-7307-00		1	1	1	1	1	1	1
142S	Screw - support plate	9-16-3014-00		3	3	3	3	3	3	3
142W	Conical spring washer	9-46-0006-00		3	3	3	3	3	3	3
142X	Flat washer, 1/4 I.D. x 9/16 O.D.	9-46-0005-00		3	3	3	3	3	3	3
148	Release knob	8-148-703-00		1	1	1	1	1	1	1
160	Thermal protector (TSW2)	9-62-8017-00		1	1	1	1	1	1	1
161	Lock plate	8-076-713-00		1	1	1	1	1	1	1
162	Screw - lock plate	9-14-2704-00		1	1	1	1	1	1	1
<b>Vertical Above Modification**</b>										
2A	Endplate assembly <i>(includes union, lead wires with fiberglass tubing and vertical above pins)</i>	5-50-7034-00 5-50-7035-00 5-50-7036-00		1	1	1	1	1	1	1
I	Vertical above spring and spacer kit	5-66-3171-00		1	1	1	1	1	1	1
5A	Pressure plate	8-005-702-07		1	1	1	1	1	1	1
H	Vertical above pin	8-061-711-00		3	3	3	3	3	3	3
	Vertical above pin	8-061-712-00						3	3	
	Vertical above pin	8-061-712-00								3
<b>Vertical Below Modification**</b>										
5B	Pressure plate - less pins (Item J)	8-005-702-08						1	1	1
J	Vertical mounting pin	8-061-715-00						3	3	
	Vertical mounting pin	8-061-716-00								3
K	Vertical below spring kit - green	5-66-3172-00								
	Vertical below spring kit - red	5-66-3173-00						1	1	1

\*Coil (kit V) is separate.      \*\*Must also order Item 3 (Table 1) for stationary disc, horizontal or vertical, kit.

Support Plate Assembly

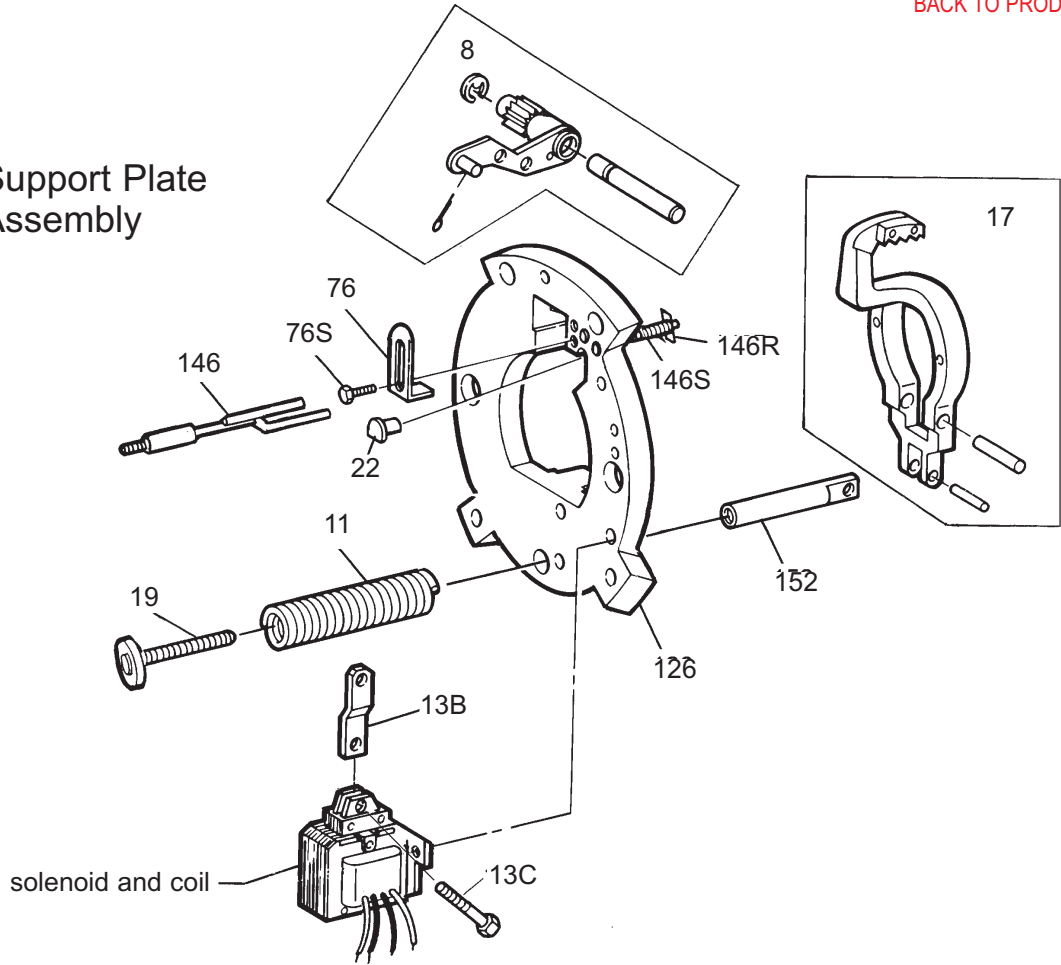
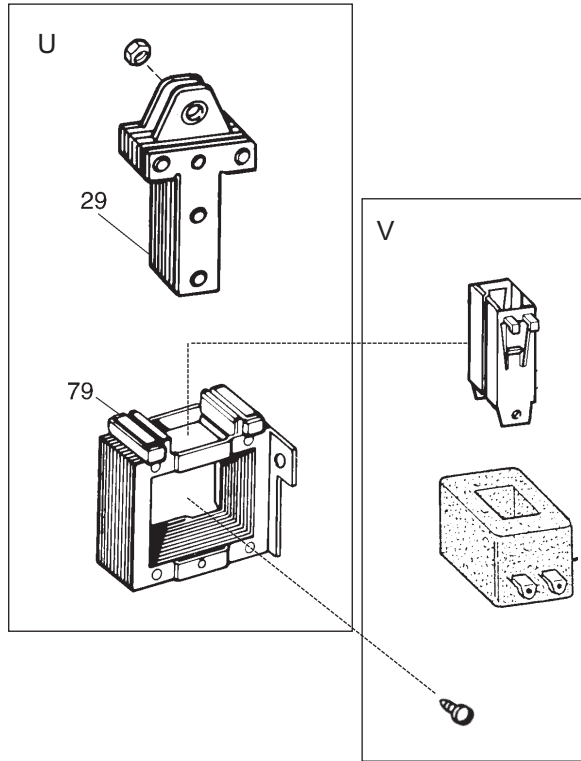


TABLE 3-Components of Support Plate-5-42-730X-00

Item	Description	Part Number	Torque (lb-ft)			
			10	15	25 & 50	35, 75 & 105
126	Support plate and bearing assembly Support plate and bearing assembly	5-26-7007-00 5-26-7008-00	1	1	1	1
8	Solenoid lever and pinion kit	5-66-7371-00	1	1	1	1
17	Lever arm kit	5-66-7271-00	1	1	1	1
19 & 152	Pressure spring tube kit	5-66-7471-00	1	1	1	1
11	Pressure spring kit-black (formerly blue) Pressure spring kit-white(formerly yellow) Pressure spring kit-orange (formerly red) Pressure spring kit-purple (formerly green)	5-66-3072-00 5-66-3074-00 5-66-3076-00 5-66-3078-00	1	1	1	1
U	No. 5 AC solenoid kit No. 6 AC solenoid kit No. 8 AC solenoid kit	5-66-5051-00 5-66-5061-00 5-66-5081-00	1	1	1	1
13	Solenoid link Solenoid link	8-013-703-00 8-013-704-00	1	1	1	1
13C	Solenoid link cap screw Solenoid link cap screw Solenoid link cap screw	8-157-701-00 8-157-702-00 8-157-703-00	1	1	1	1
22	Solenoid lever stop	8-022-203-00	1	1	1	1
76	Wrap spring stop	8-076-703-00	1	1	1	1
76S	Screw-stop	9-25-7331-00	2	2	2	2
146	Release rod	5-28-7015-00	1	1	1	1
146R	Spring retainer	8-076-706-00	1	1	1	1
146S	Release spring	9-70-1525-00	1	1	1	1

## Solenoid and Coil Assembly



**TABLE 4 - Coil Assembly**

Item	Description	Part Number	Torque (lb-ft)				
			10	15	25 & 50	35, 75 & 105	
V	No.5 Coil Kit 60 Hz	230/460 Vac	5-96-6509-05	1			
		115 Vac	5-96-6501-05	1			
		230 Vac	5-96-6502-05	1			
		460 Vac	5-96-6504-05	1			
		575 Vac	5-96-6505-05	1			
	No.6 Coil Kit 60 Hz	230/460 Vac	5-96-6609-05		1	1	
		115 Vac	5-96-6601-05		1	1	
		230 Vac	5-96-6602-05		1	1	
		460 Vac	5-96-6604-05		1	1	
		575 Vac	5-96-6605-05		1	1	
	No.8 Coil Kit 60 Hz	230/460 Vac	5-96-6809-05				1
		115 Vac	5-96-6801-05				1
		230 Vac	5-96-6802-05				1
		460 Vac	5-96-6804-05				1
		575 Vac	5-96-6805-05				1

**TABLE 5 - Contents of Kits and Assemblies (contents may vary)**

Item Designation	Kit Description	Item Designation	Kit Description
3	Stationary disc kit (5-66-8372-00) 1 – Stationary disc (horizontal or vertical)	17	Lever arm kit (5-66-7271-00) 1 – Lever arm assembly 1 – Lever arm pivot pin 1 – Spring tube pivot pin
4	Friction disc kit (5-66-8486-00) 1 – Friction disc	19 and 152	Pressure spring tube kit (5-66-7471-00) 1 – Pressure spring tube 1 – Pressure spring screw 1 – Spring tube pivot pin
I	Vertical above spring and spacer kit (5-66-3171-00) 9 – Vertical above mounting springs 9 – Vertical above spring spacers	11	Pressure spring kit (5-66-307X-00) 1-Pressure spring
K	Vertical below spring kit-green (5-66-3172-00) 3 – Vertical below springs-green	U	AC solenoid kit (5-66-50X1-00) 1 – Plunger 1 – Frame 3 – Solenoid mounting screws 3 – Solenoid mtg. conical spring washers 1 – Solenoid link nut
8	Vertical below spring kit-red (5-66-3173-00) 3 – Vertical below springs-red	V	Coil assembly (5-96-6XXX-05) AC 1 – Coil 2 – Plunger guides 2 – Plunger guide screws
	Solenoid lever and pinion kit (5-66-7371-00) 1 – Solenoid lever and pinion assembly 1 – Cotter pin 1 – Solenoid lever pivot pin 1 – Pivot pin retaining ring		



## Information Needed for Modifications

Stearns is dedicated to providing you with the most comprehensive selection of modified spring-set disc brakes on the market today. We have included a list of our more popular modifications complete with descriptions, pictures and graphics when applicable and list price adders along with their representative series. Note that modification list prices are subject to the same discounts as apply to the complete brake assembly.

Below please find examples of how the modifications are called out with a letter in the 8th position of the 12 digit model number. Note that these listings are not complete, but represent our more popular selections. For any special applications and modification requirements not found here, please contact your Stearns representative.

**IMPORTANT** – The modification letter will appear in the 8th position to call out the modification.

Examples:

1-056-XXX- X  
└── 8th position

1-087-XXX- X  
└── 8th position

1-08X-XXX- X  
└── 8th position

See specific tables for some of the available options of the series required.

If two or more letter modifications are required, the 8th position of the part number will remain zero and position 10, 11 and 12 will be assigned by Stearns as a special part number.

### All Series

Modification	Letter
Vertical Mounting - Above Motor	A
Class H Insulation	H
Space Heater (115 Volt Circuit)	I
Space Heater (115 Volt Circuit), Brass Pressure Plate and Stationary Disc	J
Brass Pressure Plate and Stationary Disc	K
Vertical Mounting - Below Motor	L
Thru-Shaft Housing (Standard)	Q
Vertical Mounting - Above Motor and Class H Insulation	T
Electrical Release Indicator Switch, N.O. contacts	W
Side Manual Release with Shaft Through Housing Stamped Steel	Z
<b>Series 87,X00 Only</b>	
Vertical Mounting - Above Motor, Brass Pressure Plate and Stationary Disc	N
<b>Series 81,X00, 82,X00 87,000 and 87,100</b>	
Side Manual Release	Y

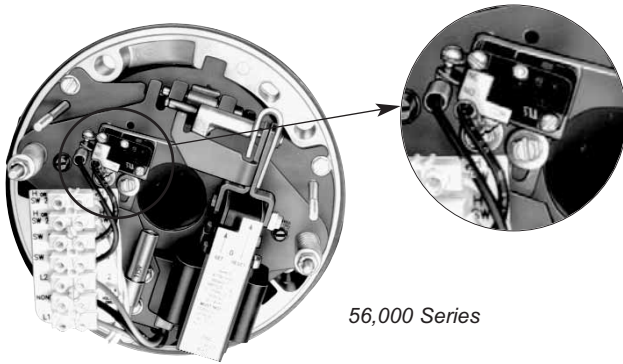
## Solenoid Actuated Brakes Modification Index

Category	Description	Modification Number (M__)	Page
<b>Coils</b>	Class H Insulation	M6	53
	DC Coil Option	M9	54
	Non-Standard Voltage AC	M25	57
	Non-Standard Voltage DC	M9	54
	Special Leadwire Length	M31	58
<b>Corrosion Resistance</b>	Brass Pressure Plate	M3	52
	Brass Stationary Disc	M4	52
	Breather Drain	M5	53
	Space Heater (115 or 230 volt)	M13	54
	Special Paint	M14	55
	Stainless Steel Self-Adjust	M15	55
	Stainless Steel Hardware	M16	55
	Corrosion-Resistant Endplate	M39	59
	Stainless Steel Hub	M42	59
<b>Endplates</b>	Special Internal Leadwire Hole	M35	58
	Corrosion-Resistant Endplate	M39	59
	Special Milling: Flat Bottom on Housing & Endplate	M40	59
<b>Friction Discs</b>	Special Material Friction Disc	M44	60
	Carrier Ring Disc (Cast Iron)	M46	60
	Carrier Ring Disc (Bronze)	M47	60
<b>Gaskets</b>	Motor Gasket	M38	59
	Viton® Gasket	M43	60
<b>Hubs/ Brake Shaft</b>	Non-Standard Bore or Keyway	M11	54
	Special Shaft - Coupler Brakes	M29	57
	Taper-Lock Hubs	M30	58
	Stainless Steel Hub	M42	59
	Splined Hub and Friction Disc	M45	60
<b>Machining Options</b>	Encoder/Tach Machining	M7	53
	Metric Machining	M33	58
	Special Milling: Flat Bottom on Housing & Endplate	M40	59
<b>Manual Adjust</b>	Manual Adjust for 87,000 Series	M48	60
<b>Manual Release</b>	Side Manual Release	M12	54
	Non-Maintained (Deadman)	M32	58
	Internal Release	M37	59
<b>Mounting</b>	Vertical	M21, M23, M24	56-57
	Metric Machining	M33	58
	Motor Frame Adapters		94
	Foot Mounting Kits		95
<b>Nameplates</b>	Mylar or Metal	M10	54
	Brass Nameplate	M41	59
<b>Paint/ Special Finish or Material</b>	Brass Pressure Plate	M3	52
	Brass Stationary Disc	M4	52
	Special Paint	M14	55
	Stainless Self-Adjust	M15	55
	Stainless Steel Hardware	M16	55
	Corrosion-Resistant Endplate	M39	59
<b>Special Housing</b>	Stainless Steel Hub	M42	59
	Thru-Shaft NEMA 2	M19	56
	Thru-Shaft NEMA 4 and 4X	M20	56
	Split Housing	M36	59
<b>Switches</b>	Electrical Release Indicator	M1	52
	Electrical Release Indicator Proximity Switch	M2	52
	Thermal Switch	M18	55
	Wear Indicator	M27	57
<b>Tach Mounting</b>	Tach Machining	M7	53
	Thru-Shaft NEMA 2	M19	56
	Thru-Shaft NEMA 4 and 4X	M20	56
<b>Torque Derating</b>	Brass Pressure Plate	M3	52
	Brass Stationary Disc	M4	52
	Special Derating of Torque	M34	58
<b>Wiring Options</b>	Conduit Box with Terminal Strip	M8	53
	Terminal Strip	M17	55
	Special Length Leadwires	M31	58
	Internal Leadwire Hole	M35	58

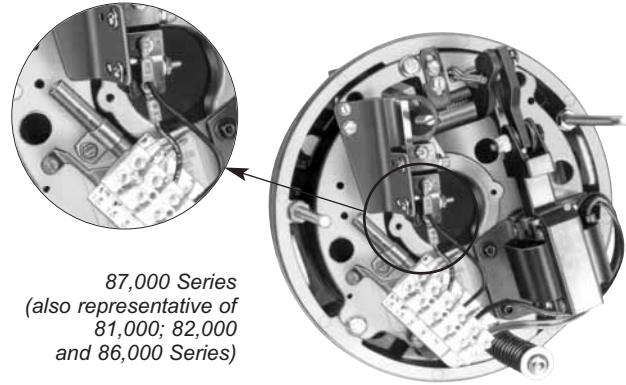
## M1 Electrical Release Indicator Switch

This switch is used to indicate when the brake is in a released, non-holding position. This mechanism utilizes a mechanical limit switch.

Series	List Price Adder
56,X00 & 65,300	\$450.00
81,000; 82,000; 87,X00	450.00
86,X00	900.00



56,000 Series



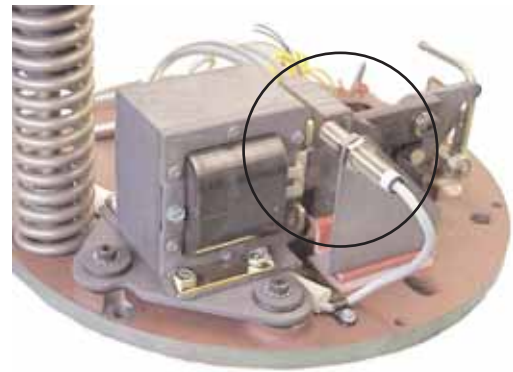
87,000 Series  
(also representative of  
81,000; 82,000  
and 86,000 Series)

Not available on 56,800 or 87,800 Series Brakes.

## M2 Electrical Release Indicator Proximity Switch

Same function as the switch in M1 above; except, M2 uses an electronic proximity sensor.

Series	List Price Adder
81,000 82,000 87,X00	\$1375.00
86,X00	2750.00



Not available on 56,800 or 87,800 Series Brakes.

## M3 Brass Pressure Plate

Typically used in marine applications or in applications where the potential for sparks need to be eliminated. Brass can also be used to reduce torque.

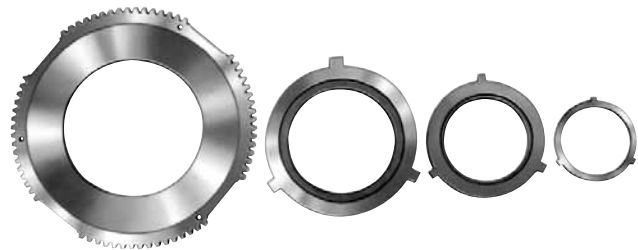
Series	List Price Adder
56,X00	See M4
65,X00	\$250.00
81,000; 82,000	800.00
86,X00	1050.00
87,X00	600.00



## M4 Brass Stationary Discs

Used with brass pressure plate (List per disc).

Series	List Price Adder
56,X00	\$250.00
65,X00	250.00
87,X00	450.00
81,000; 82,000	600.00
86,X00	750.00



## M5 Breather Drain

A drain plug is tapped into the bottom of the housing to let moisture escape. This option is only available on brakes with cast aluminum or cast iron housings.

Series	List Price Adder
56,X00	\$380.00
65,X00	500.00
81,000 82,000 86,X00 87,X00	380.00



## M6 Class H Insulation

Brake is provided with an epoxy encapsulated coil, rated for NEMA Class H designation.

These Class H coils are standard on hazardous location brakes.

Series	List Price Adder
56,X00	\$145.00
87,X00	175.00
81,000 82,000	285.00
86,X00	570.00



## M7 Housing Machining for Encoder/Tach Mounting

Series	Standard Machining <sup>1</sup>				Close Tolerance <sup>2</sup>			Tether Mount <sup>3</sup>	
	Bolt Circle & Register		Bolt Circle - but no Register		Bolt Circle & Register			A Single Bolt Hole	
	Open <sup>4</sup> Enclosure List Price Adder	Enclosed <sup>5</sup> List Price Adder	Open <sup>4</sup> Enclosure List Price Adder	Enclosed <sup>5</sup> List Price Adder	Open <sup>4</sup> Enclosure List Price Adder	Enclosed <sup>5</sup> List Price Adder	Maximum Thru-Shaft Dia. (inch)	Open <sup>4</sup> Enclosure List Price Adder	Enclosed <sup>5</sup> List Price Adder
56,X00 (except N/A for 56,800)	N/A	N/A	N/A	N/A	N/A	N/A		\$350	\$460
87,000 - 87,100	\$700	\$1,200	\$80	\$350	\$2,450	\$2,750	1.63	\$240	\$350
87,M00 - 87,500 - 87,600	N/A	\$1,200	N/A	\$350	N/A	\$2,750		N/A	\$350
81,000 - 82,000 <sup>6</sup>	\$1,100	\$1,375	\$305	\$580	\$2,550	\$2,825	2.5	\$465	\$740
86,000	\$1,100	\$1,375	\$380	\$780	\$2,550	\$2,950		\$540	\$940

<sup>1</sup>**Standard Machining:** The housing is machined for a thru shaft, and to allow for an encoder or tach to be mounted. This option is only available on brakes with cast aluminum or cast iron housings. Consult factory for availability.

<sup>2</sup>**Close tolerance:** The housing and endplate are assembled and dowel pinned together - then machined as a matched set for a through shaft and encoder mounting. This option is only available on brakes with cast aluminum or cast iron housings. This option is recommended for Series 81,000; 82,000; and 86,X00 due to the long distance between the motor and encoder.

<sup>3</sup>**Tether Mount:** The housing is machined for a through shaft, and a single tapped hole for a bolt to secure a tether arm. (56,X has a through hole and tach-welded nut on inside of housing, instead of a tapped hole).

<sup>4</sup>Referred to on the product pages in the catalog as IP23

<sup>5</sup>Referred to on the product pages as IP54/55 (these enclosure ratings no longer apply when the housing is machined for this modification - the customer is responsible for meeting any specific enclosure rating when assembling the encoder).

<sup>6</sup>M7 Modification for Series 81,000 and 82,000 will also require the M12 Modification; the side manual release.



## M8 Conduit Box with Terminal Strip

A terminal strip is located inside the conduit box. It allows for easy connection and identification of lead wires.

Series	List Price Adder
All series except hazardous location (not available for the 48,100 series)	\$300.00 (IP 23) \$600.00 (IP 54)
All hazardous location brakes	\$600.00



## M9 DC Coil Option

For DC voltage applications. Operates with an electronic DC switch module.

Series	List Price Adder	Additional Adder for Non-Standard Voltage
56,X00	\$ 300.00	\$ 250.00
87,X00	570.00	250.00
81,000	1050.00	250.00
82,000	1565.00	250.00
86,X00	2625.00	500.00

For standard voltage listing, see the ordering information section for the specific brake.

Not available on Hazardous Location Brakes.

## M10 Nameplates

To order new brake nameplates, the serial number of the brake is required. A loose nameplate shipped from Stearns Division without being attached to a brake must have all agency markings removed (UL, CSA, etc.). In order to have a brake renamed with the appropriate agency markings, it must be returned to Stearns Division for product verification.

List Price:	First Nameplate	\$150.00
Net Price:	Additional Mylar Nameplates	1.50
	Additional Metal Nameplates	4.00

## M11 Nonstandard Hub or Keyway

For standard bore diameter and keyway specifications, see specific brake selection page. For taper bores, consult factory for pricing.

Description	List Price Adder					
	48,100	56,X00	65,X00	81,000 82,000 86,000	87,000 87,100 87,800	87,700
All Quantities and Enclosures	\$225.00	225.00	325.00	600.00	250.00	250.00

## M12 Side Manual Release

Side release not available on the 1-086-000

Sheet Metal Housing (IP 23 Only)	List Price Adder
56,000; 56,400; 56,500	\$50.00
87,000; 87,100	\$50.00
Cast Iron Housing	List Price Adder
87,000 IP 23	\$385.00 includes cast iron housing adder of \$110
87,000 IP 54	\$275.00
81,000 82,000	\$350.00



## M13 Space Heater (115 or 230 Volt Only)

A space heater cartridge is used to prevent moisture build-up inside the brake housing.

Series	Wattage	List Price Adder
56,X00*	15	\$210.00
81,000; 82,000; 86,X00	50 and 75	275.00
87,X00*	25 to 30	225.00
Hazardous Duty Brakes	25 to 50	750.00

\*Not available on 56,800 or 87,800 Series Brakes



56,000 Series



87,000 Series (also representative of 81,000; 82,000 & 86,000 Series)

## M14 Special Paint

Based on a zinc chromate finish, both inside and outside of brake. Consult factory for actual application.

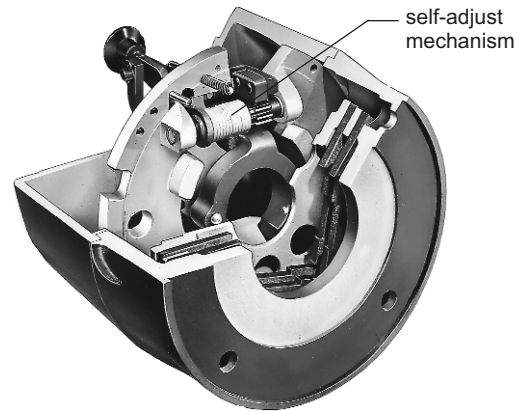
Series	List Price Adder
56,X00	\$210.00
65,X00	300.00
81,000, 82,000, 86,X00	550.00
87,000	525.00



## M15 Stainless Steel Self-Adjust Mechanism

For severe duty applications. This option includes a stainless steel pinion and plated wrap spring in the auto-adjust mechanism. It is only available on the 81,000; 82,000; 86,000 and 87,000 Series Brakes

Series	List Price Adder
81,000; 82,000; 87,000	\$350.00
86,X00	\$700.00



self-adjust mechanism

## M16 Stainless Steel Hardware

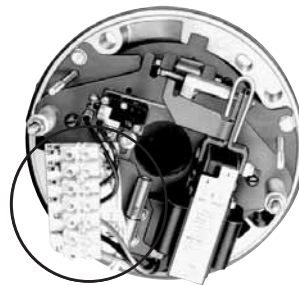
All external hardware is provided in stainless steel.

Series	List Price Adder
48,100	\$125.00
56,X00, 87,X00	\$150.00
81,000, 82,000 86,000	\$275.00

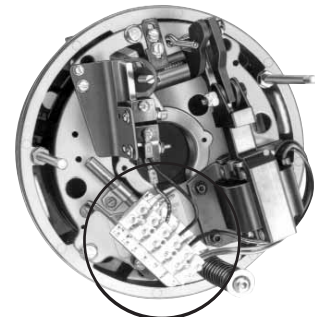
## M17 Terminal Strip

A terminal strip is located in the inside of the brake, on the support plate. It allows for easy connection and identification of lead wires.

Series	List Price Adder
ALL	\$150.00



56,000 Series



87,000 Series (also representative of 81,000; 82,000 & 86,000 Series)

## M18 Thermostat (thermal switch)

This switch is used to indicate when a brake is overheating. Thermostats are standard in 8X,300 and 65,X00 Series. This option is for NON-UL brakes only.

Series	Switch Operation Specifications	List Price Adder
87,X00	Normally Closed: Opens at 295°F, Closes at 255°F	\$400.00
81,000, 82,000 86,X00	Normally Closed: Opens at 210°F, Closes at 180°F	400.00
56,X00	Normally Closed: Opens at 195°F, Closes at 175°F	400.00



## M19 Through-Shaft Enclosure

This configuration allows for the motor shaft to extend beyond the housing of the brake.

Series	List Price Adder
56,000, 56,400	N/C
56,100, 56,200	\$110.00
56,600	110.00
81,000, 82,000	225.00
86,000	300.00
87,000, 87,100 sheet metal	N/C*
87,000, 87,100 with cast iron housing	225.00 (adder for cast iron housing is \$210.00 additional)



\*Up to 1-5/16".  
Above 1-5/16", add \$80.00.

## M20 Through-Shaft Cast Iron Enclosure with Lip Seal

This configuration allows the motor shaft to extend beyond the housing of the brake with a bushing to use with a housing lip seal.

Series	List Price Adder
56,100, 56,200 56,600	\$220.00
81,000, 82,000	500.00
86,000	700.00
87,000, 87,100	300.00

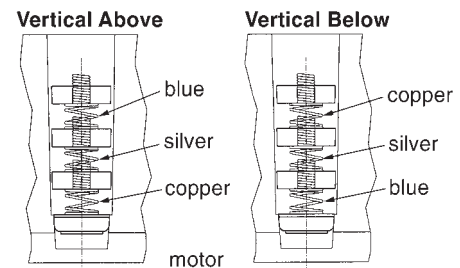


## M21 Vertical Mounting for 56,000 Series & 65,300 Series

The 56,000 20 and 25 lb-ft Series Brakes are shipped with spring kits. Vertical modification at 15° from horizontal. Read installation and service instructions for details on its use.

Description	List Price Adder
Factory assembly for three disc configuration.	\$20.00

### 3 Friction Disc Brake



Example of 56,000 Series spring requirements for vertical above and below mounting.

## M23 Vertical Mounting for 87,X00 Series

For factory modification to vertical above or below application. Vertical modification at 15° from horizontal.

### Series 87,000 & 87,100

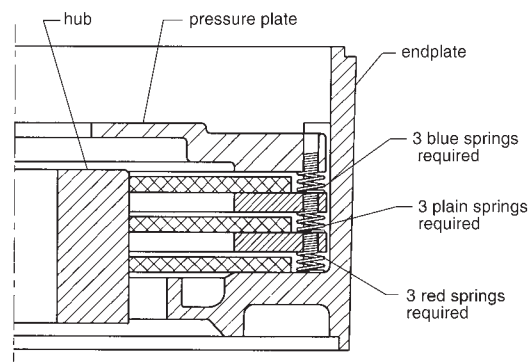
Torque Value (lb-ft)	IP 23 & IP 54 steel hsg Above	IP 23 & IP 54 steel hsg Below	IP 54/55 cast iron Above	IP 54/55 cast iron Below
6, 10, 15, 25 & 35	\$95.00	no mod req'd	\$370.00*	no mod req'd
50 & 75	\$105.00	\$105.00	\$380.00*	\$105.00
105	\$135.00	\$135.00	\$410.00*	\$135.00

\*Includes adder for side manual release

### Series 87,300; 87,800; 87,700

Torque Value (lb-ft)	Vertical Above	Vertical Below
6, 10, 15, 25 & 35	\$95.00	no mod req'd
50 & 75	\$105.00	\$105.00
105	\$135.00	\$135.00

### 3 Friction Disc Brake



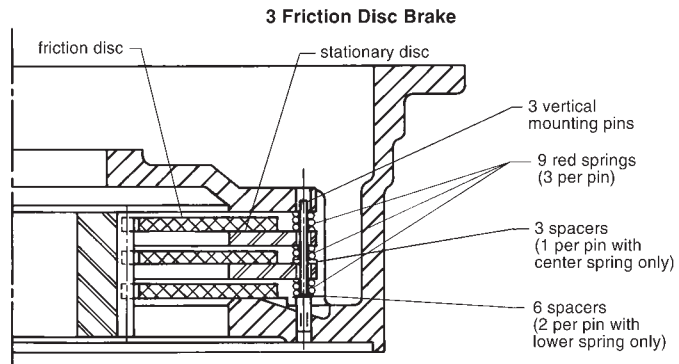
Example of 87,000 Series spring requirements for vertical above mounting.

## M24 Vertical Mounting for 81,000; 82,000 and 86,000 Series

These brakes require factory modifications for vertical applications. Vertical modification at 15° from horizontal.

Series	Torque Value (lb-ft)	IP 23 Above & Below	IP 54 Above	IP 54 Below
81,000 & 82,X00	125 & 175	\$250.00	\$575.00*	\$250.00
81,000 & 82,X00	230	300.00	650.00*	300.00
82,X00	330	300.00	650.00*	300.00
82,X00	440	500.00	850.00*	500.00
86,000	500 & 750	750.00	750.00*	750.00

\*Includes adder for side manual release

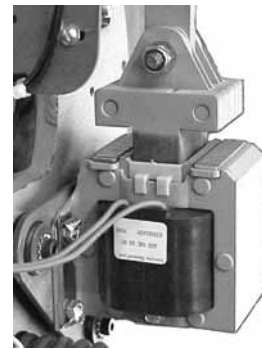


Example of 81,000 Series pin, spring and spacer requirements for vertical above mounting.

## M25 Voltage Non-Standard (AC)

For standard voltage listing, see the ordering information section for the specific brake.

Series	List Price Adder
48,100	\$165.00
65,X00	165.00
56,000	165.00
81,000; 82,X00	200.00
86,X00	400.00
87,X00	175.00

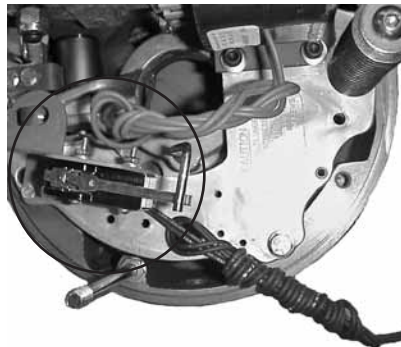


## M27 Wear Indicator (Friction Disc) Switch with Leads

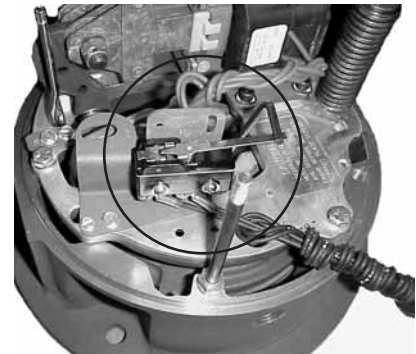
A mechanical switch is installed to indicate when the friction disc requires replacement.

Series	List Price Adder
81,000; 82,X00	\$225.00
86,000	225.00
87,X00*	225.00

\*N/A on 87,800



87,000 Assembly



87,000 Assembly

## M29 Special Shaft-Coupler Brake and Foot Mount Brake

Any non-standard input or output shaft on a 56,700, 87,200 or 87,700 Series Brake.

Series	List Price Adder
56,700	\$325.00
87,200; 87,700	325.00



## M30 Taper-Lock Hubs

For use in severe duty applications and reversing application to secure the brake hub to the motor shaft.

Series	Series	List Price Adder
87,000; 87,100 IP 23 only	10 to 35 lb-ft	\$200.00
	50 to 75 lb-ft	225.00
	105 lb-ft	250.00
81,000	125 & 175 lb-ft	225.00
	230 lb-ft	325.00
82,000	125 & 175 lb-ft	375.00
	230 & 330 lb-ft	550.00
	440 lb-ft	675.00



## M31 Special Length Lead Wires

Up to 5'	Series	List Price Adder
	All	\$65.00

Over 5'	Series	List Price Adder
	All	\$130.00

## M32 Non-Maintained (Deadman) Manual Release

The brake is mechanically released while the release is pulled into a release position. Once released, the brake sets.

Series*	List Price Adder
56,200, 56,700, 56,800 & 56,900	\$110.00
56,000, 56,400 & 56,500	185.00
81,000; 82,000 & 87,000	125.00
86,000	250.00

\*N/A on 56,300.  
Standard on 56,100 and 56,600.



## M33 Metric Machining Including Cast Iron Endplate

Stearns SAB's can be used with metric motor frames. The following table indicates standard frame capabilities for an IEC B14 Face mount.

Series	IEC Frame Sizes	List Price Adder
56,200; 56,400; 56,600 & 56,900	B14 flange in sizes 80; 90 & 100 B5 flange in sizes D63 & D71	\$340.00
56,500	B14 flange in sizes 112; 132 & 160 B5 flange in sizes D71; D80; D90; D100 & D112	\$340.00
87,000	B14 flange in sizes 112; 132 & 160 B5 flange in sizes D71; D80; D90; D100 & D112	\$340.00

## M34 Derating of Torque

Stearns industrial SAB's can be custom built to meet your specific torque requirements.

Series	List Price Adder	Derate To
56,500	\$315.00	6 lb-ft
87,100	315.00	20 or 30 lb-ft
81,000 & 82,000	460.00	To be approved with application engineering

## M35 Special Internal Lead Wire Hole with Bushing

Any non-standard, internal lead wire hole in the endplate.

Series	List Price Adder
All brakes except hazardous location brakes	\$175.00





## M36 Housing Split

SAB's can be provided with a split housing.

Series	List Price Adder
81,000; 82,000 & 86,000	\$725.00
81,000; 82,000 & 86,000 gasketed	\$1,000.00
87,000; 87,100 sheet metal	\$200.00
87,000; 87,100 cast iron gasketed	\$250.00



## M37 Internal Release

An internal manual release requires that the housing be removed before the brake can be released by hand.

*\*N/A for hazardous location brakes*

Series	List Price Adder
87,0XX; 81,0XX; 82,0XX; 86,0XX	N/C

## M38 Motor Gasket

The brake is provided with an additional C-Face gasket to be placed between the brake and motor.

Series*	List Price Adder
81,000; 82,000; 86,000	\$100.00
56,X00 & 87,000	75.00

*\*N/A for hazardous location brakes*

## M39 Corrosion-Resistant Endplate

Rust preventative treatment applied to brake endplate.

Series	List Price Adder
56,200, 56,400, 56,500, 56,800 & 65,300	\$425.00
81,000; 82,X00 & 86,000	575.00
87,X00	475.00



## M40 Special Milling: Flat Bottom on Housing & Endplate

This modification is provided in the event the flange between the endplate and housing interfere with the mounting configuration.

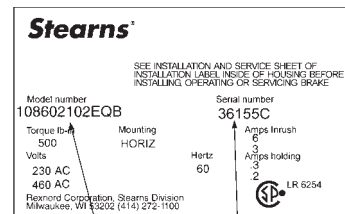
Series	List Price Adder
81,000; 82,000 & 86,000	\$650.00



## M41 Brass Nameplate with Special Engraving

Brass nameplates offer greater durability in outdoor applications.

Series	List Price Adder
81,000; 82,000 & 86,000	\$75.00



MODEL NUMBER will appear on brake nameplate.

SERIAL NUMBER

## M42 Stainless Splined Hub

Stainless steel splined hubs are available for extreme outdoor applications, to prevent corrosion on the disc and hub interface.

Series	List Price Adder
81,000; 82,000 & 86,000	\$1060.00
87,000	800.00



## M43 Viton® Gasket

Gaskets and o-rings in brakes can be provided in Viton® (fluorocarbon) material, in place of the standard neoprene. However, the V-wiper steel-backed seals that are used on pull rod manual releases are not available in Viton® and remain as neoprene.

Viton® is a registered trademark name of DuPont.

Series	List Price Adder
81,000; 82,000; 86,000	\$1,060.00
87,000*	\$1,125.00
56,000	\$950.00

\*Viton® gaskets and o-rings are standard for 87,X00 series, except for hazardous location brakes where Viton® seals are N/A.

\*\*Except series 56,200; 56,700; & 56,900 - where Viton gaskets are standard.

## M44 Special Friction Disc (per Disc)

Any non-standard friction disc in a brake.  
Cost is per disc.

Non-standard discs include: hi-inertia friction discs and heavy duty friction discs. Does not include carrier ring friction discs (see M46 and M47).

Series	List Price Adder
87,000	\$50.00
56,000	45.00



## M45 Splined Hub and Friction Disc

Standard on most models. Used for severe duty and reversing applications.

Series	List Price Adder
87,300	No Charge

Series	Torque (lb-ft)	List Price Adder
87,X00*	6-35 lb-ft	190.00
	50 & 75 lb-ft	290.00
	105 lb-ft	390.00

\* Spline is standard on this series.  
Adder is for pre-revision 24-tooth spline.

## M46 Carrier Ring Friction Disc

The friction material is bonded to a steel or zinc/aluminum alloy ring. This is used for severe duty applications and applications where people are being moved.

Series	Carrier ring material	List Price Adder (per disc)
Horizontal Use Only		
56,X00* (not available on 56,800 series)	Aluminum	\$420.00
81,000	Steel	700.00
82,000	Steel	700.00
Horizontal or Vertical Use		
87,X00** (not available on 87,300 or 87,800 series)	Zinc aluminum alloy	550.00



## M47 Carrier Ring Friction Disc (Bronze)

The friction material is bonded to a bronze ring. This is used for severe duty applications and applications where people are being moved.

Horizontal applications only

\*\* Only available with pre-revision design, 24-tooth splined hub, which is included in this price

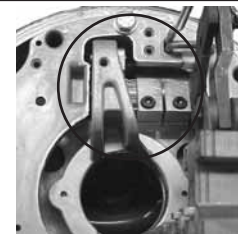
Series	List Price Adder (per disc)	
81,000	N/A	
82,000	\$1050.00	
86,000	1250.00	
87,X00**	6-35 lb-ft	925.00
	50 & 75 lb-ft	1850.00
	105 lb-ft	2775.00



## M48 1,08X,000 Series Manual Adjust Mechanism

Excellent for holding applications when disc wear is not a concern. (Not available on hazardous location brakes.)

Series	List Price Adder
87,000	Subtract \$50 List
81,000 82,000 86,000	No Charge



## M60 Encoders

Internally mounted encoders are available in some series brakes, including some hazardous location brakes. See pages 49-50 for series availability and additional information.

Maximum Encoder Diameter (in.)	
1-056	N/A
1-087-E00	2.0"
1-081 & 1-082	2.5"
1-086	3.5"



# Technical Data

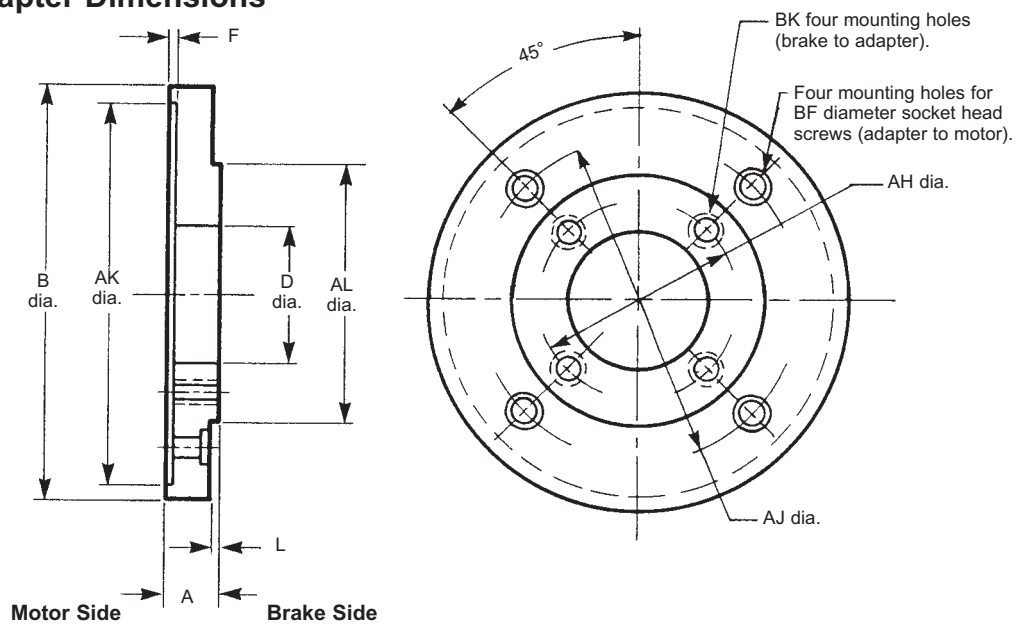
## SAB Motor Frame Adapter Dimensions

### Selection

To select an adapter for a specific brake, refer to the *Motor Frame Adapter Tables* as shown in the brake series sections of this Catalog. After selecting the adapter stock number, refer to the Tables below for dimensions.

All adapters are constructed with an opening for internal lead wire connection, corresponding to the NEMA standard location for the motor frame size.

Screws for mounting adapter to motor must be provided by customer. Socket head cap screws are supplied for mounting brake to adapter.



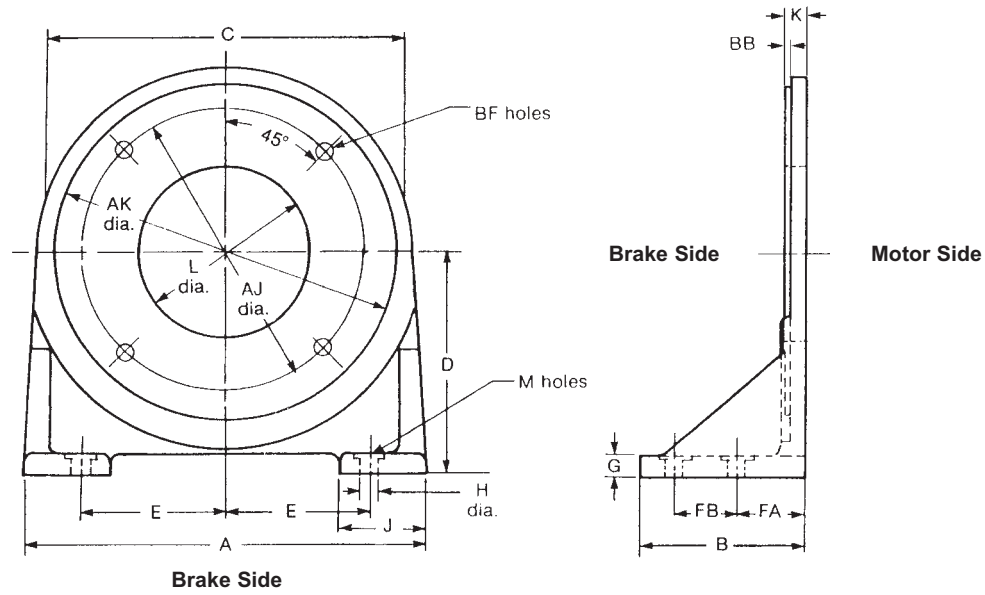
Dimensions for estimating only. For installation purposes, request certified prints.

Brake Series	Torque (lb-ft)	Adapter Stock Number	Dimensions in Inches (Dimensions in Millimeters)											Add'l Shaft Length Req'd	List Price	Discount Symbol			
			A	AH	AJ	AK	AL	B	BF	BK Hole	D	F	L						
56,000	1.5 - 6	5-55-5041-00				8.500 (215.900)	4.497 (114.325)											\$700	B4
65,300*		5-55-5046-00	1.25 (31.75)	5.88 (149.22)	7.25 (184.15)	8.502 (215.900)	4.500 (114.325)	9.00 (228.60)	.50 (12.70)	3/8 - 16 x 1/2 deep	4.00 (101.60)	.19 (4.76)	.12 (3.18)	.94 (23.88)				\$700	B4
56,000 and 56,800*	10 - 25	5-55-5043-00																	
87,000 and 87,800*	6 - 105	5-55-7046-00	1.06 (26.99)		11.00 (279.40)	12.501 (317.525)	8.499 (215.875)	13.00 (330.20)	.62 (15.88)		4.12 (104.78)			.87 (22.10)			\$875	B2	
87,300		5-55-7054-00		7.25 (184.15)		12.504 (317.602)	8.497 (215.849)			1/2 - 13 through		.19 (4.76)		.38 (9.52)					
87,000 and 87,800*	6 - 105	5-55-7055-00	1.00 (25.40)		9.00 (228.60)	10.500 (266.700)	8.499 (215.875)	11.00 (279.40)	**		6.25 (158.75)			.81 (20.57)			\$450	B2	
87,300*		5-55-7045-00				10.502 (266.751)	8.497 (215.849)			1/2 - 13 through			.25 (6.35)	.25 (6.35)					
87,000, 87,800* and 87,300*	6 - 105	5-55-7043-00	.75 (19.05)	7.25 (184.15)	5.88 (149.35)	4.502 (114.35)	8.499 (215.875)	8.75 (222.25)	.62 (15.75)	1/2 - 13 through	4.00 (101.60)	.19 (4.76)	.25 (6.35)	.56 (14.23)			\$1,300	B2	
81,000	125 - 130	5-55-2045-00	1.06 (26.99)	11.00 (279.40)	14.00 (355.60)	16.002 (406.451)	12.499 (317.475)	16.50 (419.10)	.62 (15.88)	5/8 - 11 through	9.75 (247.65)	.19 (4.76)	.25 (6.35)	.87 (22.10)			\$1,875	C1	
81,000	125 - 230	5-55-2041-00			7.25 (184.15)	8.500 (215.900)	12.499 (317.475)	12.499 (317.398)	.50 (12.70)		6.00 (152.40)			.93 (23.62)			\$1,325	C1	
81,000		5-55-2043-00	1.12 (28.58)	11.00 (279.40)		10.500 (266.700)	12.496 (317.398)	12.496 (317.398)	.50 (12.70)	5/8 - 11 through	7.75 (196.85)	.19 (4.76)	---	.93 (23.62)				C1	
82,000 and 82,300*	125 - 550	5-55-2046-00	1.94 (49.21)		14.00 (355.60)	16.002 (406.451)	12.499 (317.398)	16.50 (419.10)	.62 (15.88)	5/8 - 11 x 1 deep	9.50 (241.30)			1.75 (44.45)			\$1,875	C1	
82,000 and 82,300*		5-55-2042-00	1.38 (34.92)	11.00 (279.40)	7.25 (184.15)	8.500 (215.900)	12.496 (317.475)	13.25 (336.55)		5/8 - 11 through	6.00 (152.40)	.19 (4.76)	.25 (6.35)	1.19 (30.23)			\$1,325	C1	
82,000 and 82,300*		5-55-2044	1.38 (34.92)		9.00 (228.60)	10.500 (266.700)	12.499 (317.398)	13.25 (336.55)	.50 (12.70)	5/8 - 11 through	7.75 (196.85)			1.19 (30.23)			\$2,075	C1	
86,000	500 - 1000	5-55-6041-00	1.56 (38.69)	14.00 (355.60)	11.00 (279.40)	12.500 (317.500)	16.000 (406.400)	16.19 (411.16)	.62 (15.88)	5/8 - 11 x 3/4 deep	8.62 (219.08)	.19 (4.76)	.25 (6.35)	1.37 (34.80)			\$2,800	C1	

\* 1/2-13 flat head screws are supplied with adapter.

\*\* When adding an adapter to a hazardous location brake, refer to the "mounting requirements" on the product page for the recommended brake series for accommodating adapters.

# Foot Mounting Kits



Kits include the foot mounting bracket and hardware to fit the BF mounting holes.

*Dimensions for estimating only. For installation purposes, request certified prints.*

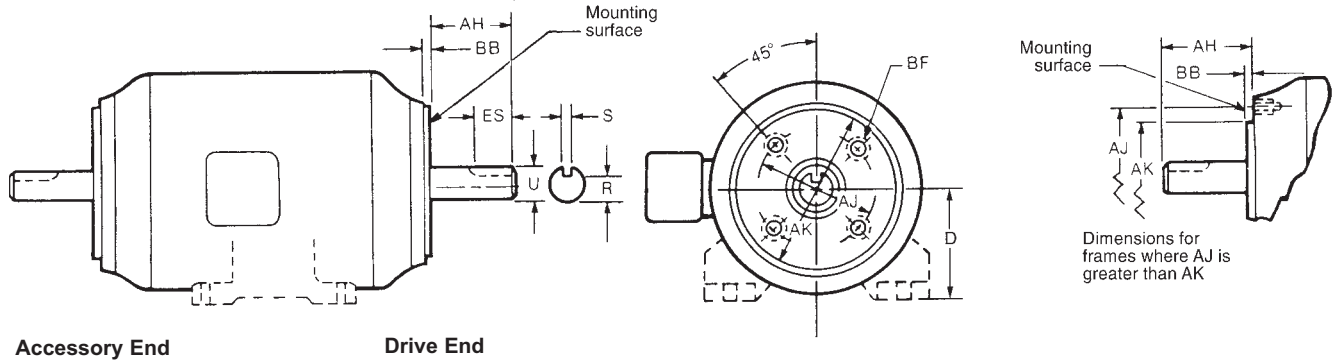
Brake Series	Torque	Foot Mounting Kit Number	Dimensions in Inches (Dimensions in Millimeters)																	Wgt. lbs.	List Price	Discount Symbol	
			A	AJ	AK	B	BB	BF		C	D	E	FA	FB	G	H	J	K	L				M
								No.	Thd.														
56,000	1.5-25	5-55-5023-00	7.00 (177.80)	5.88 (149.22)	$\frac{4.499}{4.498}$ (114.275) (114.249)	2.38 (60.32)	.12 (3.18)	2	3/8-16	6.50 (165.10)	3.50 (88.90)	2.88 (73.02)	1.50 (38.10)	-	.38 (9.52)	.41 (10.32)	1.50 (38.10)	.50 (12.70)	2.50 (63.50)	2	4.5	\$500.00	B4
87,000	6-105	5-55-7021-00	8.62 (219.08)	7.25 (184.15)	$\frac{8.499}{8.498}$ (215.875) (215.849)	3.00 (76.20)	.25 (6.35)	4	1/2-13	8.62 (218.95)	5.00 (127.00)	3.56 (90.49)	2.00 (50.80)	-	.38 (9.52)	.53 (13.49)	1.62 (41.28)	.56 (14.29)	5.75 (146.05)	2	7	575.00	B2
81,000	125-230	5-55-2022-00	15.50 (393.70)	11.00 (279.40)	$\frac{12.499}{12.498}$ (317.475) (317.449)	7.00 (177.80)	.25 (6.35)	4	5/8-11	13.25 (336.55)	8.50 (215.90)	6.88 (174.62)	2.00 (50.80)	4.00 (101.60)	.62 (15.88)	.69 (17.46)	3.00 (76.20)	.88 (22.22)	9.00 (228.60)	4	40	1,325.00	C1
82,000	125-550		18.25 (463.55)	14.00 (355.60)	$\frac{16.000}{15.995}$ (406.400) (406.273)	8.00 (203.20)	.22 (5.56)	4	5/8-11	17.00 (431.80)	10.88 (276.22)	6.38 (161.92)	3.38 (85.72)	3.00 (76.20)	1.00 (25.40)	.81 (20.64)	4.12 (104.78)	1.22 (30.96)	8.50 (215.90)	4	75	3,900.00	C1

# Dimensions for C-Face Brake Motor Systems

## Brakes Externally Wired to Motor

C-face motor with double shaft extension.

Stearns Disc Brakes are designed to mount on standard C-face motors having the same dimensions and tolerances on the accessory end as on the drive end. They also mount on foot mounting brackets and machine mounting faces having the same mounting dimensions and tolerances. Some motor accessory end C-face may differ from the drive end.



## Drive End Dimensions (Inches)

Frame Designation	AJ	AK	BB Min.	BF Hole			U	AH	Keyseat			Base to Centerline D
				Number	Tap Size	Bolt Penetration Allowance			R	ES Min.	S	
42C	3.750	3.000	0.16	4	1/4-20	...	0.375	1.312	0.328	...	flat	2.62
48C	3.750	3.000	0.16	4	1/4-20	...	0.500	1.69	0.453	...	flat	3.00
56C	5.875	4.500	0.16	4	3/8-16	...	0.625	2.06	0.517	1.41	0.188	3.50
143TC and 145TC	5.875	4.500	0.16	4	3/8-16	0.56	0.875	2.12	0.771	1.41	0.188	3.50
182TC and 184TC	7.250	8.500	0.25	4	1/2-13	0.75	1.125	2.62	0.986	1.78	0.250	4.50
182TCH and 184TCH	5.875	4.500	0.16	4	3/8-16	0.56	1.125	2.62	0.986	1.78	0.250	4.50
213TC and 215TC	7.250	8.500	0.25	4	1/2-13	0.75	1.375	3.12	1.201	2.41	0.312	5.25
254TC and 256TC	7.250	8.500	0.25	4	1/2-13	0.75	1.625	3.75	1.416	2.91	0.375	6.25
284TC and 286TC	9.000	10.500	0.25	4	1/2-13	0.75	1.875	4.38	1.591	3.28	0.500	7.00
284TSC and 286TSC	9.000	10.500	0.25	4	1/2-13	0.75	1.625	3.00	1.416	1.91	0.375	7.00
324TC and 326TC	11.000	12.500	0.25	4	5/8-11	0.94	2.125	5.00	1.845	3.91	0.500	8.00
324TSC and 326TSC	11.000	12.500	0.25	4	5/8-11	0.94	1.875	3.50	1.591	2.03	0.500	8.00
364TC and 365TC	11.000	12.500	0.25	8	5/8-11	0.94	2.375	5.62	2.021	4.28	0.625	9.00
364TSC and 365TSC	11.000	12.500	0.25	8	5/8-11	0.94	1.875	3.50	1.591	2.03	0.500	9.00
404TC and 405TC	11.000	12.500	0.25	8	5/8-11	0.94	2.875	7.00	2.450	5.65	0.750	10.00
404TSC and 405TSC	11.000	12.500	0.25	8	5/8-11	0.94	2.125	4.00	1.845	2.78	0.500	10.00
444TC and 445TC	14.000	16.000	0.25	8	5/8-11	0.94	3.375	8.25	2.880	6.91	0.875	11.00
444TSC and 445TSC	14.000	16.000	0.25	8	5/8-11	0.94	2.375	4.50	2.021	3.03	0.625	11.00
500 Frame Series	14.500	16.500	0.25	4	5/8-11	0.94	...	...	...	...	...	12.50

## Tolerances (Inches)

### AK Dimension, Face Runout, Permissible Eccentricity of Mounting Rabbet

AK Dimension	Tolerance on AK Dimension		Maximum Face Runout	Maximum Permissible Eccentricity of Mounting Rabbet
	Plus	Minus		
Less than 12	0.000	0.003	0.004	0.004
12 and Larger	0.000	0.005	0.007	0.007

### Shaft Extension Diameters

Shaft Diameter	Tolerances	
	Plus	Minus
0.2500 to 1.5000, inclusive	0.000	0.0005
Over 1.5000 to 6.500, inclusive	0.000	0.001

### Width of Shaft Extension Keyseats

Width of Keyseat	Tolerances	
	Plus	Minus
0.188 to 0.750, inclusive	0.002	0.000
Over 0.750 to 1.500, inclusive	0.003	0.000

### Shaft Runout

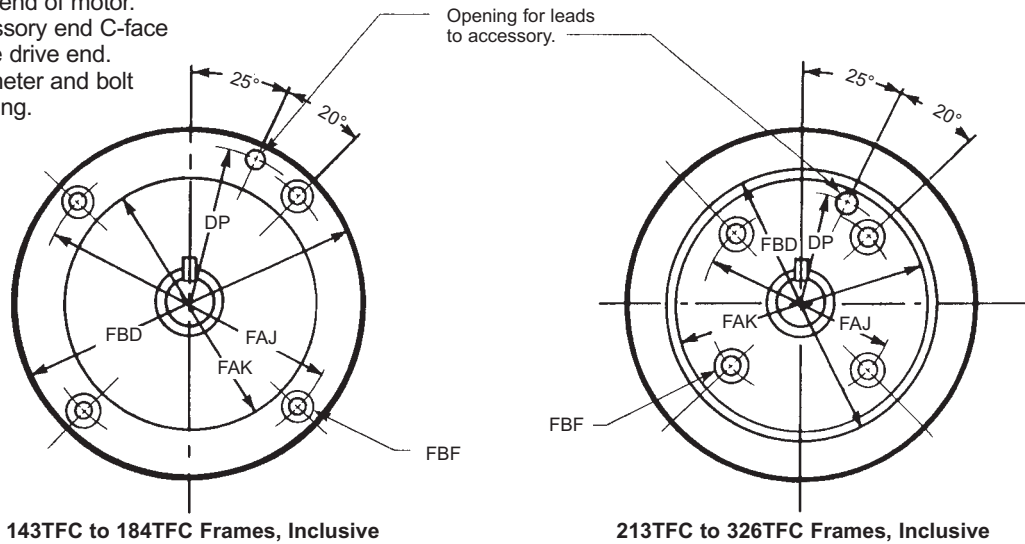
Shaft Diameter	Maximum Permissible Shaft Runout
0.3750 to 1.625, inclusive	0.002
Over 1.625 to 6.500, inclusive	0.003

SOURCE: ANSI/NEMA Standards Publication No. MG 1-1987; Part 4 and Part 11.

# Dimensions for C-Face AC Brake Motor System (cont.)

## Accessory End

FC face mounting for accessories, including brakes, on the end opposite the drive end of motor. Some motor accessory end C-face may differ from the drive end. Confirm shaft diameter and bolt circle before ordering.



143TFC to 184TFC Frames, Inclusive

213TFC to 326TFC Frames, Inclusive

## Dimensions (Inches)

Frame Designation	FAJ	FAK	FBD Max.	FBF Hole			Hole for Accessory Leads	
				Number	Tap Size	Bolt Penetration Allowance	DP	Diameter
143TFC and 145TFC	5.875	4.500	6.50	4	3/8-16	0.56	2.81	0.41
182TFC and 184TFC	5.875	4.500	6.50	4	3/8-16	0.56	2.81	0.41
213TFC and 215TFC	7.250	8.500	9.00	4	1/2-13	0.75	3.81	0.62
254TFC and 256TFC	7.250	8.500	10.00	4	1/2-13	0.75	3.81	0.62
284TFC and 286TFC	9.000	10.500	11.25	4	1/2-13	0.75	4.50	0.62
324TFC and 326TFC	11.000	12.500	14.00	4	5/8-11	0.94	5.25	0.62

NOTE: Standards have not been developed for the shaft extension diameter and length, and keyseat dimensions.

## Tolerances\* (Inches)

FAK Dimension, Face Runout, Permissible Eccentricity of Mounting Rabbet

FAK Dimension	Tolerance on FAK Dimension		Maximum Face Runout	Maximum Permissible Eccentricity of Mounting Rabbet
	Plus	Minus		
Less than 12	0.000	0.003	0.004	0.004
12 and Larger	0.000	0.005	0.007	0.007

\* Tolerance requirement on 56,X00 and 87,000 Series Brake kits is .015 T.I.R. (total indicated runout shaft to motor register face).

## Shaft Runout

Shaft Diameter	Maximum Permissible Shaft Runout
0.3750 to 1.625, inclusive	0.002
Over 1.625 to 6.500, inclusive	0.003

SOURCE: ANSI/NEMA Standards Publication No. MG 1-1987; Part 4 and Part 11.

## Stearns Recommended Minimum Shaft Diameter by Torque

Minimum recommended shaft size considers a keyed C1045 steel shaft under dynamic use in a typical spring set brake application.

Torque ft-lb	Minimum Shaft (inches)
0.50	0.250
0.75	0.250
1.5	0.375
3	0.500
6	0.500
10	0.625
15	0.750
25	0.875
35	1.000
50	1.125

Torque ft-lb	Minimum Shaft (inches)
75	1.250
105	1.375
125	1.375
175	1.625
230	1.750
330	2.000
440	2.125
500	2.375
750	2.500
1000	2.750

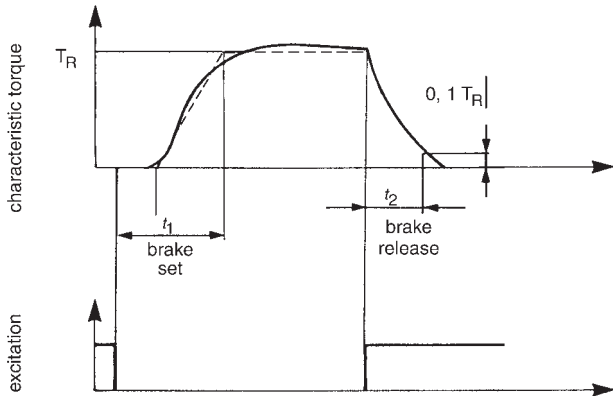
Torque Nm	Minimum Shaft (mm)
4 Nm	ø10 mm
8 Nm	ø13 mm
16 Nm	ø16 mm
32 Nm	ø20 mm
60 Nm	ø25 mm
80 Nm	ø28 mm
150 Nm	ø34 mm
240 Nm	ø39 mm
400 Nm	ø47 mm

# Set and Release Times

The models listed below were tested for typical set and release times. Times listed below are defined as follows:

T1 = Total set time to 80% of rated static torque      T2 = Release time, measured as the time from when the power is applied to the brake to the time that the solenoid plunger or armature is fully seated.

**NOTE: Times will vary with the motor used, and brakes tested with factory-set air gap. The times shown should be used as a guide only.**



## SAB T1/T2 Time in Milliseconds

Series	Static Torque lb-ft	Coil Size	T1 AC	T2 AC
56,000	1 1/2 - 25	K4, K4+, K4+, M4+	25	14
87,000	10,15, 25,50	5 & 6	42	20
87,000	35,75,105	8	48	20
81,000 82,000	All	9	56	27

Brake and motor are switched separately.  
All brakes tested in horizontal position.  
Coil is energized for >24 hours before testing.  
Ambient temperature 70°F at time of test.

## AAB Series 310/311/320/321 Times in Milliseconds

Series	310 DC Side Switching					
Size	1.79	2.0	2.87	3.35	4.25	5.0
T1	3	6	9	14	13	22
T2	20	43	48	110	120	195
Series	311 DC Side Switching					
Size	3.38	4.75	5.0			
T1	43	48	96			
T2	12	74	35			
Series	320 DC Side Switching					
Size	1.2	1.8	2.0	2.8		
T1	14	43	16	27		
T2	24	26	35	34		
Series	320 Full wave rectifier/AC Side Switching					
Size	1.2	1.8	2.0	2.8		
T1	31	97	52	78		
T2	27	29	40	42		
Series	321 DC Side Switching			321 AC Side Switching		
Size	1.2	1.8	2.8	1.2	1.8	2.8
T1	13	16	20	45	77	131
T2	18	27	49	16	25	26

## AAB Series 333 Times in Milliseconds

Size	Applied Voltage/Type of Switching	T1	T2
72	DC side switching	23	35
	230 Vac/ac side switching/full wave	103	39
	460 Vac/ac side switching/half wave	98	34
90	DC side switching	19	73
	230 Vac/ac side switching/full wave	113	72
	460 Vac/ac side switching/half wave	114	73
	230 Vac connected across motor full wave	357	72
112	230 Vac connected across motor /quickset	42	72
	DC side switching	155	39
	230 Vac/ac side switching/full wave	547	43
132	460 Vac/ac side switching/half wave	501	54
	DC side switching	119	100
	230 Vac/ac side switching/full wave	833	101
145	460 Vac/ac side switching/half wave	803	106
	DC side switching	185	186
	230 Vac/ac side switching/full wave	999	192
	460 Vac/ac side switching/half wave	1007	209
	230 Vac connected across motor full wave	1689	192
170	230 Vac connected across motor /quickset	368	192
	460 Vac/ac side switching/half wave/With air gap shim	629	223
	DC side switching	129	163
196	230 Vac/ac side switching/full wave	1130	174
	460 Vac/ac side switching/half wave	1140	175
	DC side switching	96	263
230	230 Vac/ac side switching/full wave	920	264
	460 Vac/ac side switching/half wave	957	274
	DC side switching	131	264
	230 Vac/ac side switching/full wave	1299	236
	460 Vac/ac side switching/half wave	1303	276
	Tor-Ac 230 Vac/ac side switching/full wave	169	295
278	Tor-Ac 230 Vac/ac side switching/full wave/With air gap shim	122	327
	230 Vac connected across motor quickset/quickrelease/with air gap shim	122	145
278	DC side switching	182	388
	230 Vac/ac side switching/full wave	1807	389
	460 Vac/ac side switching/half wave	1689	366

# Conversions

## English-Metric Conversion Factors

Multiply the base unit by the factor shown to obtain the desired conversion.

Measurement	Base Unit	Factor	Conversion
Length	inch, in ( <i>millimeter, mm</i> )	25.4 .03937	( <i>millimeter, mm</i> ) inch, in
Torque	pound-feet, lb-ft ( <i>newton-meter, Nm</i> ) pound-inch, lb-in ( <i>newton-meter, Nm</i> ) ounce-inch, oz-in ( <i>newton-meter, Nm</i> )	1.355818 .73756 .113 8.85 .007062 141.611	( <i>newton-meter, Nm</i> ) pound-feet, lb-ft ( <i>newton-meter, Nm</i> ) pound-inch, lb-in ( <i>newton-meter, Nm</i> ) ounce-inch, oz-in
Moment of Inertia	pound-feet squared, lb-ft <sup>2</sup> ( <i>kilogram-meter squared, kgm<sup>2</sup></i> )	.042 23.81	( <i>kilogram-meter squared, kgm<sup>2</sup></i> ) pound-feet squared, lb-ft <sup>2</sup>
Kinetic Energy	foot-pound, ft-lb ( <i>joule, J</i> )	1.355818 .73756	( <i>joule, J</i> ) foot-pound, ft-lb
Weight	pound, lb ( <i>kilogram, kg</i> )	.453592 2.20462	( <i>kilogram, kg</i> ) pound, lb
Horsepower (English)	horsepower, hp ( <i>kilowatt, kW</i> )	.7457 1.341	( <i>kilowatt, Kw</i> ) horsepower, hp
Thermal Capacity	horsepower-seconds per minute, hp-sec/min ( <i>watts, W</i> )	12.42854 .08046	( <i>watts W</i> ) horsepower-seconds per minute, hp-sec/min
Temperature	degrees Fahrenheit, °F ( <i>degrees Celsius, °C</i> )	(°F - 32) x 5/9 (°C x 9/5) + 32	( <i>degrees Celsius, °C</i> ) degrees Fahrenheit, °F

## English-English Conversion Factors for Thermal Capacity

Base Unit	Multiply by	To Obtain
horsepower	60.0	hp-sec/min
ft-lb/sec	.109	hp-sec/min
ft-lb/min	.0018	hp-sec/min
in-lb/sec	.009	hp-sec/min
in-lb/min	.00015	hp-sec/min

## Decimal Equivalents of Fractions

Decimal Equivalent (Inches)		Fraction (Inches)
2-Place	3-Place	
.02	.016	1/64
.03	.031	1/32
.05	.047	3/64
.06	.062	1/16
.08	.078	5/64
.09	.094	3/32
.11	.109	7/64
.12	.125	1/8
.14	.141	9/64
.16	.156	5/32
.17	.172	11/64
.19	.188	3/16
.20	.203	13/64
.22	.219	7/32
.23	.234	15/64
.25	.250	1/4
.27	.266	17/64
.28	.281	9/32
.30	.297	19/64
.31	.312	5/16
.33	.328	21/64
.34	.344	11/32
.36	.359	23/64
.38	.375	3/8

Decimal Equivalent (Inches)		Fraction (Inches)
2-Place	3-Place	
.39	.391	25/64
.41	.406	13/32
.42	.422	27/64
.44	.438	7/16
.45	.453	29/64
.47	.469	15/32
.48	.484	31/64
.50	.500	1/2
.52	.516	33/64
.53	.531	17/32
.55	.547	35/64
.56	.562	9/16
.58	.578	37/64
.59	.594	19/32
.61	.609	39/64
.62	.625	5/8
.64	.641	41/64
.66	.656	21/32
.67	.672	43/64
.69	.688	11/16
.70	.703	45/64
.72	.719	23/32
.73	.734	47/64
.75	.750	3/4

Decimal Equivalent (Inches)		Fraction (Inches)
2-Place	3-Place	
.77	.766	49/64
.78	.781	25/32
.80	.797	51/64
.81	.812	13/16
.83	.828	53/64
.84	.844	27/32
.86	.859	55/64
.88	.875	7/8
.89	.891	57/64
.91	.906	29/32
.92	.922	59/64
.94	.938	15/16
.95	.958	61/64
.97	.969	31/32
.98	.984	63/64
1.00	1.000	1



# Application Engineering

## Introduction

Information and guidelines provided in the application section are intended for general selection and application of spring set brakes. Unusual operating environments, loading or other undefined factors may affect the proper application of the product. Stearns application services are available to assist in proper selection or to review applications where the specifier may have questions.

A spring set brake is used to stop and hold a rotating shaft. Generally the brake is mounted to an electric motor, but can also be mounted to gear reducers, hoists, machinery or utilize a foot mount kit.

The brake should be located on the high speed shaft of a power transmission system. This permits a brake with the lowest possible torque to be selected for the system.

Spring set disc brakes use friction to stop (dynamic torque) and hold (static torque) a load. Energy of the motor rotor and moving load is converted to thermal energy (heat) in the brake during deceleration. The brakes are power released, spring applied. No electrical current is required to maintain the spring set condition.

The system designer will need to consider the mount surface and match the brake to the load and application. Factors include: brake torque, stopping time, deceleration rate, load weight and speed, location and environment. Brake thermal ratings, electrical requirements and environmental factors are discussed in separate sections.

## Electrical Considerations

Solenoid actuated brakes (SAB's) are available with standard motor voltages, frequencies and Class B or H coil insulation. Most models can be furnished with either single or dual voltage coils. Coils in most models are field replaceable.

Inrush and holding amperage information is published for the common coil voltages and factory available for other voltages or frequencies. Amperage information for specific coil sizes is provided for selection of wire size and circuit protection at brake installation. Fixed voltage - 50/60 Hz dual frequency coils are available in many models.

All SAB AC coils are single phase and can be wired to either single or three phase motors without modifications. All solenoid coils have a voltage range of +/- 10% of the rated nameplate voltage at the rated frequency. Instantaneous rated voltage must be supplied to the coil to insure proper solenoid pull in and maximum coil cycle rate. The plunger rapidly seats in the solenoid and the

amperage requirements drops to a holding amperage value.

Instantaneous voltage must be supplied to the coil to insure proper solenoid pull-in and maximum coil cycle rate.

Because Stearns Solenoid Actuated Brakes (SAB's) require low current to maintain the brake in the released position, the response time to set the brake *can* be affected by EMF voltages generated by the motor windings. It may be necessary to isolate the brake coil from the motor winding.

The solenoid coil cycle rate limits the engagements per minute of a static or holding duty brake. Brake thermal performance, discussed in another section, limits engagements per minute in dynamic applications.

Class B insulation is standard in most SAB models, class H coil insulation is optional and is recommended for environments above 104°F (40°C), or rapid cycling applications.

Armature actuated brakes (AAB's) are available in standard DC voltages. Available AC rectification is listed in the catalog section. Wattage information is provided in the catalog pages. Unlike solenoid actuated brakes, armature actuated brakes do not have inrush amperage. Coil and armature reaction time and resulting torque response time information is available. Like SAB, mechanical reaction time depends on typical application factors including load, speed and position.

Electrical response time and profiles are unique to the SAB and AAB. Reaction time requirements should be considered when selecting or interchanging brakes.

All Stearns brake coils are rated for continuous duty and can be energized continually without overheating. The coil heating effect is greatest at coil engagement due to engaging, pull in or inrush amperage.

Temperature limits as established by UL controls standards are:

Class A insulation	221°F (105°C)
Class B insulation	266°F (130°C)
Class H insulation	356°F (180°C).

## Types of Applications

In order to simplify the selection of a disc brake, loads can be classified into two categories, non-overhauling and overhauling.

Loads are classified as non overhauling, if (1) no components of the connected equipment or external material undergo a change of height, such as would occur in hoisting, elevating or lowering a load, and (2) there is only rotary motion in a horizontal plane. For example, a loaded conveyor operating in a horizontal plane

would be typical of a non-overhauling load.

If the same conveyor were transporting material to a lower level, it would be classified as an overhauling load. The external material or load undergoes a change in height, with the weight of the load attempting to force the conveyor to run faster than its design speed or to overhaul.

Non-overhauling loads require braking torque only to stop the load and will remain at rest due to system friction. Overhauling loads, such as a crane hoist, have two torque requirements. The first requirement is the braking torque required to *stop* the load, and the second requirement is the torque required to *hold* the load at rest. The sum of these requirements is considered when selecting a brake for an overhauling load.

## Alignment

Requirements per NEMA:

Permissible ECCENTRICITY of mounting rabbet (AK dimension):

42C to 286TC frames inclusive is 0.004" total indicator reading. 324TC to 505TC frames inclusive is 0.007" total indicator reading.

Face Runout:

42C to 286TC frames inclusive is 0.004" total indicator reading.

If a customer furnishes a face on the machine for brake mounting, the same tolerances apply. Floor mounted brakes must be carefully aligned within 0.005" for concentricity and angular alignment. Use of dowels to insure permanent alignment is recommended.

In offset brake mount locations such as fan covers, cowls or jack shafting, proper mount rigidity and bearing support must be provided. Spring set frictional brakes characteristically have a rapid stop during torque application which may affect the mount surface or contribute to shaft deflection.

Printed installation information is published and available on all Stearns spring set brakes.

## Determining Brake Torque

### Torque ratings

Brake torque ratings are normally expressed as nominal static torque. That is, the torque required to begin rotation of the brake from a static, engaged condition. This value is to be distinguished from dynamic torque, which is the retarding torque required to stop a linear, rotating or overhauling load.

As a general rule, a brake's dynamic torque is approximately 80% of the static torque rating of the brake for stopping time up to one second. Longer stopping time will produce additional brake heat and possible fading (reduction) of dynamic torque. The required dynamic torque must be converted to a static torque value before selecting a brake, using the relationship:

$$T_s = \frac{T_d}{0.8}$$

Where,  $T_s$  = Static torque, lb-ft

$T_d$  = Dynamic torque, lb-ft

0.8 = Constant  
(derating factor)

All Stearns brakes are factory burnished and adjusted to produce no less than rated nominal static torque. Burnishing is the initial wear-in and mating of the rotating friction discs with the stationary metallic friction surfaces of the brake.

Although brakes are factory burnished and adjusted, variations in torque may occur if components are mixed when disassembling and reassembling the brake during installation. Further burnishing may be necessary after installation. Friction material will burnish under normal load conditions. Brakes used as holding only duty require friction material burnishing at or before installation to insure adequate torque.

When friction discs are replaced, the brake must be burnished again in order to produce its rated holding torque.

### System Friction

The friction and rolling resistance in a power transmission system is usually neglected when selecting a brake. With the use of anti-friction bearings in the system, friction and rolling resistance is usually low enough to neglect. Friction within the system will assist the brake in stopping the load. If it is desired to consider it, subtract the frictional torque from the braking torque necessary to decelerate and stop the load. Friction and rolling resistance are neglected in the examples presented in this guide.

### Non-overhauling Loads

There are two methods for determining brake torque for non-overhauling loads. The first method is to size the brake to the torque of the motor. The second is to select a brake on the basis of the total system or load inertia to be stopped.

### Selecting Brake Torque from the Motor Data

Motor full-load torque based or nameplate horsepower and speed can be used to select a brake. This is the most common method of selecting a brake torque rating due to its simplicity.

This method is normally used for simple rotary and linear inertial loads. Brake torque is usually expressed as a percent of the full load torque of the motor. Generally this figure is not less than 100% of the motor's full load torque. Often a larger service factor is considered. Refer to *Selection of Service Factor*.

The required brake torque may be calculated from the formula:

$$T_s = \frac{5,252 \times P}{N} \times SF$$

Where,  $T_s$  = Static brake torque, lb-ft

$P$  = Motor horsepower, hp

$N$  = Motor full load speed, rpm

$SF$  = Service factor

5,252 = Constant

Match the brake torque to the hp used in the application. When an oversized motor hp has been selected, brake torque based on the motor hp may be excessive for the actual end use.

Nameplate torque represents a nominal static torque. Torque will vary based on combinations of factors including cycle rate, environment, wear, disc burnish and flatness. Spring set brakes provide a rapid stop and hold and are generally not used in repeat positioning applications.

### Selection of Service Factor

A service factor is applied to the basic drive torque calculation. The SF compensates for any tolerance variation, data inaccuracy, unplanned transient torque and potential variations of the friction disc.

When using the basic equation:

$T = (\text{hp} \times 5252) / \text{rpm}$  with non-overhauling loads, a service factor of 1.2 to 1.4 is typical. Overhauling loads with unknown factors such as reductions may use a service factor of 1.4 to 1.8.

Spring set brakes combined with variable frequency drives use service factors ranging from 1.0 to 2.0 (2.0 for holding duty only) depending on the system design. These holding duty brakes must be wired to a separate dedicated power supply.

Occasionally, a brake with a torque rating less than the motor full load torque or with a service factor less than 1.0 is selected. These holding or soft stop applications must be evaluated by the end user or system designer to insure adequate sizing and thermal capacity.

Typically a brake rated 125% of the motor full load torque, or with a 1.25 service factor, provides a stop in approximately the same time as that required for the motor to accelerate the load to full load speed.

Occasionally a motor is oversized or undersized for the load or application. In these situations, the load inertia and desired stopping time calculations should be used rather than relying on the service factor method alone.

Service factor selection can be based on motor performance curves. Motor rotor and load inertia should be considered in this selection process. Depending on the motor design (NEMA A, B, C and D), rpm and horsepower, the maximum torque is either the starting or breakdown torque. A NEMA design B, 3 phase, squirrel cage design motor at breakdown torque produces a minimum of 250% the full load torque. A service factor of 2.5 would be selected. Typical service factors depending on NEMA motor design are: NEMA design A or B: 1.75 to 3.0, NEMA design C: 1.75 to 3.0 and NEMA design D: not less than 2.75.

A brake with an excessive service factor may result in system component damage, an unreasonably rapid stop or loss of load control. A SF above 2.0 is not recommended without evaluation by the end user or system designer.

**Example 1:** Select brake torque from motor horsepower and speed.

Given: Motor power ( $P$ ) - 5 hp

Motor speed ( $N$ ) - 1,750 rpm

Service factor ( $SF$ ) - 1.4

$$T = \frac{5,252 \times P}{N} \times SF$$

$$= \frac{5,252 \times 5}{1,750} \times 1.4$$

$$T = 21 \text{ lb-ft}$$

A brake having a standard rating of 25 lb-ft nominal static torque would be selected.

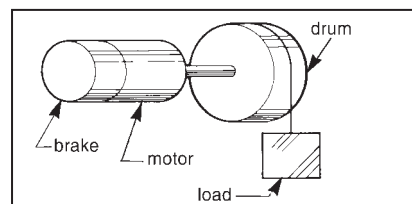
Example 2 illustrates selection of a brake to provide proper static torque to hold a load if dynamic braking were used to stop the load.

**Example 2:** Select a brake to hold a load in position after some other method, such as dynamic braking of the motor, has stopped all rotation.

Given: Weight of load ( $W$ ) - 5 lb

Drum radius ( $R$ ) - 2 ft

Service factor ( $SF$ ) - 1.4



The static holding torque is determined by the weight of the load applied at the drum radius. A service factor is applied to ensure sufficient holding torque is available in the brake.

$$T_s = F \times R \times SF$$

$$= 5 \times 2 \times 1.4$$

$$T_s = 14 \text{ lb-ft}$$

### Sizing the Brake to the Inertial Load

For applications where the load data is known, where high inertial loads exist, or where a stop in a specified time or distance is required, the brake should be selected on the basis of the total inertia to be retarded. The total system inertia, reflected to the brake shaft speed, would be:

$$Wk_T^2 = Wk_B^2 + Wk_M^2 + Wk_L^2$$

Where:  $Wk_T^2$  = Total inertia reflected to the brake, lb-ft<sup>2</sup>

$Wk_B^2$  = Inertia of brake, lb-ft<sup>2</sup>

$Wk_M^2$  = Inertia of motor rotor, lb-ft<sup>2</sup>

$Wk_L^2$  = Equivalent inertia of load reflected to brake shaft, lb-ft<sup>2</sup>

Other significant system inertias, including speed reducers, shafting, pulleys and drums, should also be considered in determining the total inertia the brake would stop.

If any component in the system has a rotational speed different than the rotational speed of the brake, or any linear moving loads are present, such as a conveyor load, their equivalent inertia in terms of rotary inertia at the brake rotational speed must be determined. The following formulas are applicable:

#### Rotary motion:

$$\text{Equivalent } Wk_B^2 = Wk_L^2 \left( \frac{N_L}{N_B} \right)^2$$

Where,

Equivalent  $Wk_B^2$  = Inertia of rotating load reflected to brake shaft, lb-ft<sup>2</sup>

$Wk_L^2$  = Inertia of rotating load, lb-ft<sup>2</sup>

$N_L$  = Shaft speed at load, rpm

$N_B$  = Shaft speed at brake, rpm

#### Horizontal Linear Motion

$$\text{Equivalent } Wk_W^2 = W \left( \frac{V}{2\pi N_B} \right)^2$$

Where,

Equivalent  $Wk_W^2$  = Equivalent inertia of linear moving load reflected to brake shaft, lb-ft<sup>2</sup>

$W$  = Weight of linear moving load, lb

$V$  = Linear velocity of load, ft/min

$N_B$  = Shaft speed at brake, rpm

Once the total system inertia is calculated, the required average dynamic braking torque can be calculated using the formula:

$$T_d = \frac{Wk_T^2 \times N_B}{308 \times t}$$

Where,  $T_d$  = Average dynamic braking torque, lb-ft

$Wk_T^2$  = Total inertia reflected to brake, lb-ft<sup>2</sup>

$N_B$  = Shaft speed at brake, rpm

$t$  = Desired stopping time, sec

308 = Constant

The calculated dynamic torque is converted to the static torque rating using the relationship:

$$T_s = \frac{T_d}{0.8}$$

Where,  $T_s$  = Brake static torque, lb-ft

$T_d$  = System dynamic torque, lb-ft

Examples 3, 4, 5 and 6 illustrate how brake torque is determined for non-overhauling loads where rotary or horizontal linear motion is to be stopped.

**Example 3:** Select a brake to stop a rotating flywheel in a specified time.

Given, Motor speed ( $N_M$ ) - 1,750 rpm

Motor inertia ( $Wk_M^2$ ) - 0.075 lb-ft<sup>2</sup>

Flywheel inertia ( $Wk_{FW}^2$ ) - 4 lb-ft<sup>2</sup>

Brake inertia ( $Wk_B^2$ ) - 0.042 lb-ft<sup>2</sup>

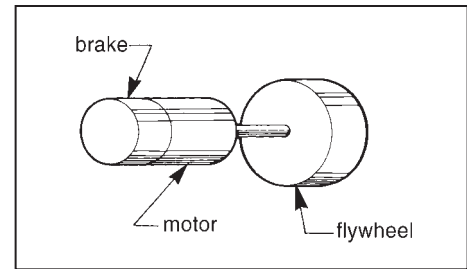
Required stopping time ( $t$ ) - 1 sec

First determine the total inertia to be stopped,

$$Wk_T^2 = Wk_M^2 + Wk_{FW}^2 + Wk_B^2$$

$$= 0.075 + 4 + 0.042$$

$$Wk_T^2 = 4.117 \text{ lb-ft}^2$$



The dynamic braking torque required to stop the total inertia in 1 second is,

$$T_d = \frac{Wk_T^2 \times N_{BM}}{308 \times t}$$

$$= \frac{4.117 \times 1,750}{308 \times 1}$$

$$T_d = 23.4 \text{ lb-ft}$$

Converting  $T_d$  to static torque

$$T_s = \frac{T_d}{0.8}$$

$$= \frac{23.4}{0.8}$$

$$T_s = 29.3 \text{ lb-ft}$$

A brake having a standard static torque rating of 35 lb-ft would be selected. Since a brake with more torque than necessary to stop the flywheel in 1 second is selected, the stopping time would be,

$$t = \frac{Wk_T^2 \times N_{BM}}{308 \times T_d}$$

$$= \frac{Wk_T^2 \times N_{BM}}{308 \times (0.8 T_s)}$$

$$= \frac{4.117 \times 1,750}{308 \times (0.8 \times 35)}$$

$$t = 0.84 \text{ sec}$$

See section on *Stopping Time and Thermal Information*.

**Example 4:** Select a brake to stop a rotating flywheel, driven through a gear reducer, in a specified time.

Given: Motor speed ( $N_M$ ) - 1,800 rpm

Motor inertia ( $Wk_M^2$ ) - 0.075 lb-ft<sup>2</sup>

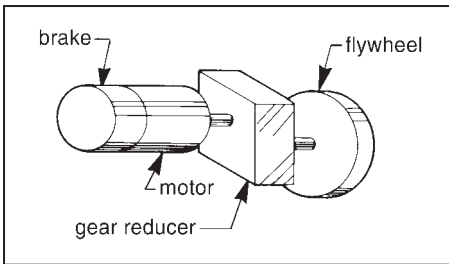
Gear reduction (GR) - 20:1

Gear reducer inertia at high speed shaft ( $Wk_{GR}^2$ ) - 0.025 lb-ft<sup>2</sup>

Flywheel inertia ( $Wk_{FW}^2$ ) - 20 lb-ft<sup>2</sup>

Required stopping time ( $t$ ) -

0.25 sec



First, determine rotating speed of flywheel ( $N_{FW}$ )

$$N_{FW} = \frac{N_{BM}}{GR}$$

$$= \frac{1,800}{20}$$

$$N_{FW} = 90 \text{ rpm}$$

Next, the inertia of the flywheel must be reflected back to the motor brake shaft.

$$Wk_b^2 = Wk_{FW}^2 \left( \frac{N_{FW}}{N_M} \right)^2$$

$$= 20 \left( \frac{90}{1,800} \right)^2$$

$$Wk_b^2 = 0.05 \text{ lb-ft}^2$$

Determining the total  $Wk^2$ ,

$$Wk_i^2 = Wk_M^2 + Wk_{GR}^2 + Wk_b^2$$

$$= 0.075 + 0.025 + 0.05$$

$$Wk_i^2 = 0.15 \text{ lb-ft}^2$$

The required dynamic torque to stop the flywheel in 0.25 seconds can now be determined.

$$T_d = \frac{Wk_i^2 \times N_{BM}}{308 \times t}$$

$$T_d = \frac{0.15 \times 1,800}{308 \times 0.25}$$

$$T_d = 3.5 \text{ lb-ft}$$

Converting dynamic torque to static torque,

$$T_s = \frac{T_d}{0.8}$$

$$= \frac{3.5}{0.8}$$

$$T_s = 4.4 \text{ lb-ft}$$

A brake having a standard static torque rating of 6 lb-ft would be selected. Since a brake with more torque than necessary to stop the flywheel in 0.25 seconds is selected, the stopping time would be,

$$t = \frac{Wk_i^2 \times N_M}{308 \times T_d}$$

$$= \frac{Wk_i^2 \times N_M}{308 \times (0.8 \times T_s)}$$

$$= \frac{0.15 \times 1,800}{308 \times (0.8 \times 6)}$$

$$t = 0.18 \text{ sec}$$

See section on *Stopping Time and Thermal Information*.

**Example 5:** Select a brake to stop a load on a horizontal belt conveyor in a specified time.

Given:

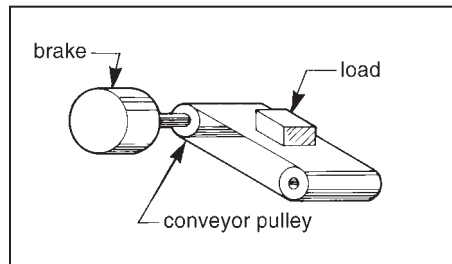
Conveyor pulley speed ( $N_p$ ) - 32 rpm

Weight of load ( $W$ ) - 30 lb

Conveyor pulley and belt inertia ( $Wk_p^2$ ) - 4.0 lb-ft<sup>2</sup>

Conveyor pulley diameter ( $d_p$ ) - 1 ft

Required stopping time ( $t$ ) - 0.25 sec



First, convert the rotational pulley speed to linear belt speed ( $V_B$ ).

$$V_B = \pi d_p N_p$$

$$= \pi \times 1 \times 32$$

$$V_B = 100.5 \text{ ft/min}$$

Next, determine inertia of load.

$$Wk_W^2 = W \left( \frac{V_B}{2\pi \times N_p} \right)^2$$

$$= 30 \left( \frac{100.5}{2\pi \times 32} \right)^2$$

$$Wk_W^2 = 7.5 \text{ ft-lb}^2$$

Then, determine total inertial load

$$Wk_i^2 = Wk_W^2 + Wk_p^2$$

$$= 7.5 + 4.0$$

$$Wk_i^2 = 11.5 \text{ lb-ft}^2$$

The required dynamic torque to stop the conveyor load in 0.25 seconds can now be determined.

$$T_d = \frac{Wk_i^2 \times N_p}{308 \times t}$$

$$T_d = \frac{11.5 \times 32}{308 \times 0.25}$$

$$T_d = 4.8 \text{ lb-ft}$$

Converting dynamic torque to static torque,

$$T_s = \frac{T_d}{0.8}$$

$$= \frac{4.8}{0.8}$$

$$T_s = 6 \text{ lb-ft}$$

A brake having a standard static torque rating of 6 lb-ft would be selected. See *Thermal Information*.

**Example 6:** Select a brake to stop a trolley crane and its load in a specified time. Brake mounted on wheel axle.

Given:

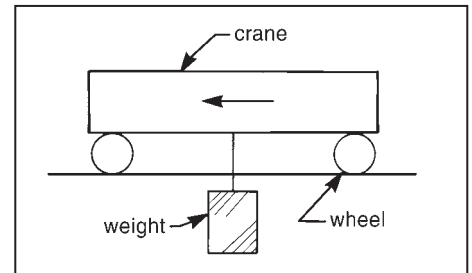
Weight of crane ( $W_c$ ) - 2,000 lb

Weight of load ( $W_l$ ) - 100 lb

Trolley velocity ( $v$ ) - 3 ft/sec or 180 ft/min

Radius of trolley wheel ( $r$ ) - 0.75 ft

Required stopping time ( $t$ ) - 2 sec



The dynamic braking torque required to stop the trolley crane and load can be determined by one of two methods. The first method is to determine the equivalent inertia of the linearly moving crane and load, then calculate the dynamic braking torque. The second method is to determine the dynamic braking torque directly.

Using the first method, the total weight to be stopped is determined first.

$$W_T = W_L + W_C$$

$$= 100 + 2,000$$

$$W_T = 2,100 \text{ lb}$$

Next, the rotational speed of the axle ( $N_B$ ) is calculated.

$$N_B = \frac{V}{2\pi r}$$

$$= \frac{180}{2 \times \pi \times 0.75}$$

$$N_B = 38.2 \text{ rpm}$$

Then, the equivalent inertia of the linearly moving crane and load is determined.

$$Wk_f^2 = W_T \left( \frac{V}{2\pi N_B} \right)^2$$

$$= 2,100 \left( \frac{180}{2\pi \times 38.2} \right)^2$$

$$Wk_f^2 = 1,181 \text{ lb-ft}^2$$

Finally, the dynamic braking torque required to stop the total inertia in 2 seconds is,

$$T_d = \frac{Wk_f^2 \times N_B}{308 \times t}$$

$$= \frac{1,181 \times 38.2}{308 \times 2}$$

$$T_d = 73 \text{ lb-ft}$$

Using the second method, the dynamic braking torque required to stop the crane and load in 2 seconds can be calculated directly using the formula,

$$T_d = \frac{W_T v}{gt} \times r$$

Where,  $T_d$  = Average dynamic braking torque, lb-ft

$W_T$  = Total weight of linear moving load, lb

$v$  = Linear velocity of load, ft/sec

$g$  = Gravitational acceleration constant, 32.2 ft/sec<sup>2</sup>

$t$  = Desired stopping time, sec

$r$  = Length of the moment arm (wheel radius), ft

or, for this example,

$$T_d = \frac{2,100 \times 3}{32.2 \times 2} \times .75$$

$$T_d = 73 \text{ lb-ft}$$

For both methods above, the required dynamic braking torque is converted to static torque,

$$T_s = \frac{T_d}{0.8}$$

$$= \frac{73}{0.8}$$

$$T_s = 91 \text{ lb-ft}$$

A smaller brake could be mounted on the high speed shaft in place of the higher torque on the low speed shaft.

A brake having a standard static torque rating of 105 lb-ft is selected. Since a brake with more torque than necessary to stop the load in 2 seconds is selected, the stopping time would be,

$$T = \frac{W_T v}{g T_d} \times r$$

$$= \frac{W_T v}{g \times (0.8 \times T_s)} \times r$$

$$= \frac{2,100 \times 3}{32.2 \times (0.8 \times 105)} \times 0.75$$

$$t = 1.8 \text{ sec}$$

See section on *Stopping Time* and cycle rates, *Thermal Selection*. Stops should be under 2 seconds. Longer stops require application test.

### Overhauling Loads

Applications with a descending load, such as power lowered crane, hoist or elevator loads, require a brake with sufficient torque to both *stop* the load, and *hold* it at rest. Overhauling loads having been brought to rest still invite motion of the load due to the effect of gravity. Therefore, brake torque must be larger than the overhauling torque in order to stop and hold the load. If brake torque is equal to or less than the overhauling torque, there is no net torque available for stopping a descending load.

First, the total system inertia reflected to the brake shaft speed must be calculated.

Second, the average dynamic torque required to decelerate the descending load in the required time is calculated with the formula:

$$T_d = \frac{Wk_f^2 \times N_B}{308 \times t}$$

Where,  $T_d$  = Average dynamic braking torque, lb-ft

$Wk_f^2$  = Total inertia reflected to brake, lb-ft<sup>2</sup>

$N_B$  = Shaft speed at brake, rpm. Consider motor slip when descending.

$t$  = Desired stopping time, sec

Third, the overhauling torque reflected to the brake shaft is determined by the formula:

$$T_o = W \times R \times \frac{N_L}{N_B}$$

Where,  $T_o$  = Overhauling dynamic torque of load reflected to brake shaft, lb-ft

$W$  = Weight of overhauling load, lb

$R$  = Radius of hoist or elevator drum, ft

$N_L$  = Rotating speed of drum, rpm

$N_B$  = Rotating speed at brake, rpm

Or alternately, the dynamic torque to overcome the overhauling load can be calculated with the formula:

$$T_o = \frac{0.158 \times W \times V}{N_B}$$

Where,  $T_o$  = Overhauling dynamic torque of load reflected to brake shaft, lb-ft

$W$  = Weight of overhauling load, lb

$V$  = Linear velocity of descending load, ft/min

$N_B$  = Shaft speed at brake, rpm

0.158 = Constant

Next, the total dynamic torque required to stop and hold the overhauling load is the sum of the two calculated dynamic torques:

$$T_t = T_d + T_o$$

Finally, the dynamic torque must be converted to static brake torque to select a brake:

$$T_s = \frac{T_d}{0.8}$$

Where,  $T_s$  = Brake static torque, lb-ft

$T_t$  = System dynamic torque, lb-ft

If the total inertia of the system and overhauling load cannot be accurately determined, a brake rated at 180% the motor full load torque should be selected. Refer to *Selection of Service Factor*. The motor starting torque may permit a heavier than rated load to be lifted; the brake must stop the load when descending.

Examples 7, 8 and 9 illustrate how brake torque would be determined for overhauling loads. In these examples brakes are selected using the system data rather than sizing them to the motor. Refer to the section on *Thermal Calculations* to determine cycle rate.

Consider motor slip in calculation. An 1800 rpm motor with 10% slip would operate at 1,620 rpm when the load is ascending and 1,980 rpm when descending. Motor rpm, armature inertia and load position will affect stop time. Brakes on overhauling loads should be wired through a dedicated relay.

**Example 7:** Select a brake to stop an overhauling load in a specified time.

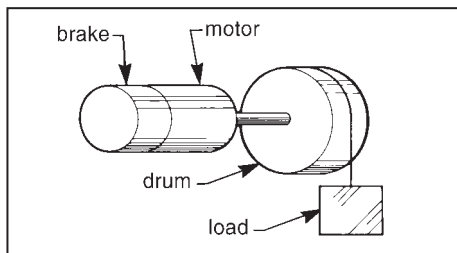
- Given: Cable speed (V) - 667 ft/min
- Weight of load (W) - 100 lb
- Drum diameter (D) - 0.25 ft
- Drum inertia ( $WK_d^2$ ) - 5 lb-ft<sup>2</sup>
- Required stopping time (t) - 1 sec

First, determine brakemotor shaft speed ( $N_B$ ).

$$N_B = \frac{V}{\pi D}$$

$$= \frac{667}{\pi \times 0.25}$$

$$N_B = 849 \text{ rpm}$$



Then, determine the equivalent inertia of the overhauling load.

$$WK_f^2 = W \left( \frac{V}{2\pi N_B} \right)^2$$

$$= 100 \left( \frac{667}{2\pi \times 849} \right)^2$$

$$WK_f^2 = 1.56 \text{ lb-ft}^2$$

Therefore, the total inertia at the brake is,

$$WK_f^2 = WK_d^2 + WK_f^2$$

$$= 5 + 1.56$$

$$WK_f^2 = 6.56 \text{ lb-ft}^2$$

Now, the dynamic torque required to decelerate the load and drum in the required time is calculated.

$$T_d = WK_f^2 \times N_B$$

$$= \frac{6.56 \times 850}{308 \times 1}$$

$$T_d = 18.1 \text{ lb-ft}$$

Next, calculate the dynamic torque required to overcome the overhauling load.

$$T_O = W \times R$$

$$= 100 \times \frac{0.25}{2}$$

$$T_O = 12.5 \text{ lb-ft}$$

The total dynamic torque to stop and hold the overhauling load is the sum of the two calculated dynamic torques.

$$T_t = T_d + T_O$$

$$= 18.1 + 12.5$$

$$T_t = 30.6 \text{ lb-ft}$$

Dynamic torque is then converted to static torque.

$$T_s = \frac{T_t}{0.8}$$

$$= \frac{30.6}{0.8}$$

$$T_s = 38.3 \text{ lb-ft}$$

A brake having a standard torque rating of 50 lb-ft is selected based on expected stop time. Since a brake with more torque than necessary to stop the load in 1 second is selected, the stopping time would be,

$$t = \frac{WK_f^2 \times N}{308 \times T_d}$$

where,

$$T_s = \frac{T_t}{0.8}$$

$$= \frac{T_d + T_O}{0.8}$$

$$\text{or, } T_d = 0.8T_s - T_O$$

$$= (0.8)(50) - 12.5$$

$$T_d = 27.5 \text{ lb-ft}$$

$$\text{therefore, } t = \frac{6.56 \times 850}{308 \times 27.5}$$

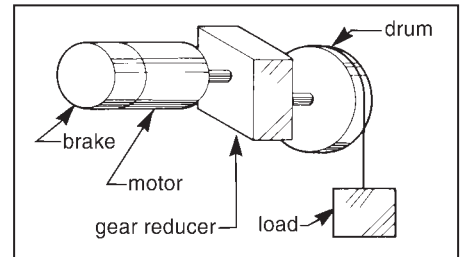
$$t = 0.7 \text{ sec}$$

Wire the brake through a dedicated relay on overhauling loads where stop time or distance is critical. See section on *Stopping time*.

**Example 8:** Select a brake to stop an overhauling load driven through gear reducer in a specified time.

- Given: Motor speed ( $N_M$ ) - 1,150 rpm
- Motor inertia ( $WK_M^2$ ) - 0.65 lb-ft<sup>2</sup>
- Gear reduction (GR) - 300:1
- Drum diameter (D) - 1.58 ft
- Weight of load (W) - 4,940 lb
- Drum inertia ( $WK_d^2$ ) - 600 lb-ft<sup>2</sup>
- Required stopping time (t) - 0.5 sec

First, calculate all inertial loads reflected to the brakemotor shaft.



The rotational speed of the drum is,

$$N_D = \frac{N_M}{GR}$$

$$= \frac{1,150}{300}$$

$$N_D = 3.83 \text{ rpm}$$

From this, the cable speed can be determined.

$$V = N_D \times \pi D$$

$$= 3.83 \times \pi \times 1.58$$

$$V = 19.0 \text{ ft/min}$$

The equivalent inertia of the load reflected to the brakemotor shaft is,

$$WK_f^2 = W \left( \frac{V}{2\pi N_{BM}} \right)^2$$

$$= 4,940 \left( \frac{19.0}{2\pi \times 1,150} \right)^2$$

$$WK_f^2 = 0.034 \text{ lb-ft}^2$$

The equivalent inertia of the drum at the brakemotor shaft speed is,

$$Wk_d^2 = Wk_b^2 \left( \frac{N_D}{N_{BM}} \right)^2$$

$$= 600 \left( \frac{3.83}{1,150} \right)^2$$

Finally, the total inertia the brake will retard is,

$$Wk_f^2 = Wk_m^2 + Wk_r^2 + Wk_d^2$$

$$Wk_f^2 = 0.0067 \text{ lb-ft}^2$$

$$Wk_f^2 = 0.691 \text{ lb-ft}^2$$

The dynamic torque required to decelerate the total inertia is,

$$T_d = \frac{Wk_f^2 \times N_{BM}}{308 \times t}$$

$$= \frac{0.691 \times 1,150}{308 \times 0.5}$$

$$T_d = 5.16 \text{ lb-ft}^2$$

Now, calculate the dynamic torque to overcome the overhauling load.

$$T_o = W \times R = W \times \frac{1}{2}D$$

$$= 4,940 \times \frac{1.58}{2}$$

$$T_o = 3,903 \text{ lb-ft}$$

Which reflected to the brakemotor shaft becomes,

$$T_m = \frac{T_o}{GR}$$

$$= \frac{3,903}{300}$$

$$T_m = 13.0 \text{ lb-ft}$$

Then, the total dynamic torque to stop and hold the overhauling load is the sum of the two calculated dynamic torques.

$$T_t = T_d + T_m$$

$$= 5.16 + 13.0$$

$$T_t = 18.16 \text{ lb-ft}$$

Dynamic torque is then converted to static torque.

$$T_s = \frac{T_t}{0.8}$$

$$= \frac{18.16}{0.8}$$

$$T_s = 22.7 \text{ lb-ft}$$

A brake having a standard torque rating of 25 lb-ft is selected.

**Example 9:** Select a brake to stop and hold a load on an inclined plane (skip hoist).

Given: Motor data

Power (P) - 7½ hp

Speed (N<sub>M</sub>) - 1,165 rpm

Rotor inertia (Wk<sub>M</sub><sup>2</sup>) - 1.4 lb-ft<sup>2</sup>

**Gear reducer data:**

Reduction (G<sub>R</sub>) - 110:1

Inertia at input shaft (Wk<sub>β</sub><sup>2</sup>) - 0.2 lb-ft<sup>2</sup>

**Drum data**

Diameter (D<sub>D</sub>) - 1.5 ft

Inertia (Wk<sub>β</sub><sup>2</sup>) - 75 lb-ft<sup>2</sup>

**Pulley data**

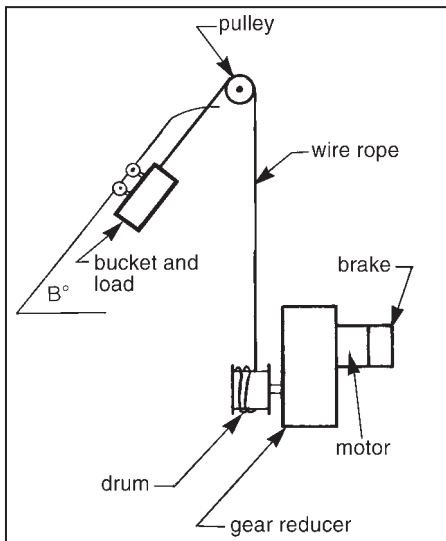
Diameter (D<sub>P</sub>) - 1.5 ft

Inertia (Wk<sub>β</sub><sup>2</sup>) - 20 lb-ft<sup>2</sup>

Bucket weight (W<sub>B</sub>) - 700 lb

Maximum weight of load (W<sub>L</sub>) - 4,000 lb

Slope of track (B) - 52.7°



Required stopping time (t) - 1 sec

The bucket is full when ascending the track and is empty when descending. When selecting a brake the most severe condition would be a fully loaded bucket backed down the hoist track. In normal operation the descending bucket would be empty. In this example, the brake is selected for the most severe condition.

The total torque to stop and hold the bucket and load when descending is the sum of (a) the torque to decelerate the total inertia and (b) the torque required to hold the loaded bucket.

First, calculate all inertial loads reflected to the brakemotor shaft. The rotational speed of the drum is:

$$N_D = \frac{N_M}{GR}$$

$$= \frac{1,165}{110}$$

$$N_D = 10.6 \text{ rpm}$$

From this the cable speed can be determined

$$V = N_D \times \pi D_D$$

$$= 10.6 \times \pi \times 1.5$$

$$V = 50 \text{ ft/min}$$

The equivalent inertia of the loaded bucket reflected to the brakemotor shaft is,

$$Wk_f^2 = W \left( \frac{V}{2\pi N_M} \right)^2$$

$$= 4,700 \left( \frac{50}{2\pi \times 1,165} \right)^2$$

$$Wk_f^2 = 0.219 \text{ lb-ft}^2$$

Next, the inertia of the pulley and drum are reflected to the brake motor shaft speed so the total inertia at the brake can be determined.

Since the diameters of the pulley and drum are the same, 1.5 ft, their rotational speeds would be the same, 10.6 rpm.

The inertia of the pulley reflected to the brakemotor shaft is,

$$Wk_p^2 = Wk_b^2 \left( \frac{N_D}{N_M} \right)^2 = Wk_b^2 \left( \frac{1}{GR} \right)^2$$

$$= 20 \times \left( \frac{1}{110} \right)^2$$

$$Wk_p^2 = 0.0017 \text{ lb-ft}^2$$

The inertia of the drum reflected to the brakemotor shaft is,

$$Wk_d^2 = Wk_b^2 \left( \frac{N_D}{N_M} \right)^2 = Wk_b^2 \left( \frac{1}{GR} \right)^2$$

$$= 75 \times \left( \frac{1}{110} \right)^2$$

$$Wk_d^2 = 0.0062 \text{ lb-ft}^2$$

The total inertia to be stopped is,

$$Wk_f^2 = Wk_f^2 + Wk_p^2 + Wk_d^2 + Wk_r^2 + Wk_m^2$$

$$= 0.219 + 0.0017 + 0.0062 + 0.2 + 1.4$$

$$Wk_f^2 = 1.827 \text{ lb-ft}$$

Then, the dynamic torque required to bring the descending bucket and load to rest is,

$$T_d = \frac{Wk_f^2 \times N_M}{308 \times T_d}$$

$$T_d = \frac{1.827 \times 1,165}{308 \times 1}$$

The additional dynamic torque required to hold the overhauling load would be determined by the unbalanced component of the force acting along the plane of the hoist track,  $W_T \sin B$ , and the length of the moment arm which is the drum radius ( $R_D$ ).  $W_T \sin B$  is the force necessary to retard downward motion of the loaded hoist bucket.

$$\begin{aligned} T_o &= W_T \sin B \times R_D \\ &= W_T \sin B \times \frac{1}{2} D_D \\ &= 4,700 \times \sin 52.7^\circ \times \frac{1}{2} (1.5) \\ &= 4,700 \times 0.7955 \times 0.75 \\ T_o &= 2,804 \text{ lb-ft} \end{aligned}$$

Which reflected to the brakemotor shaft becomes,

$$\begin{aligned} T_m &= \frac{T_o}{GR} \\ &= \frac{2,804}{110} \\ T_m &= 25.5 \text{ lb-ft} \end{aligned}$$

Then, the total dynamic torque to stop and hold the descending bucket and load is the sum of the two calculated dynamic torques.

$$\begin{aligned} T_t &= T_d + T_m \\ &= 6.9 + 25.5 \\ T_t &= 32.4 \text{ lb-ft} \end{aligned}$$

Converting to static torque,

$$\begin{aligned} T_s &= \frac{T_t}{0.8} \\ &= \frac{32.4}{0.8} \\ T_s &= 40.5 \text{ lb-ft} \end{aligned}$$

A brake having a standard torque rating of 50 lb-ft is selected. Since a brake with more torque than necessary to stop the load in 1 second is selected, the stopping time would be,

$$\begin{aligned} t &= \frac{W_k^2 \times N_B}{308 \times T_d} \\ \text{Where, } T_s &= \frac{T_t}{0.8} \\ &= \frac{T_d + T_m}{0.8} \\ \text{or, } T_d &= 0.8 T_s - T_m \\ &= (0.8)(50) - 25.5 \\ T_d &= 14.5 \text{ lb-ft} \\ \text{therefore,} \\ t &= \frac{1.827 \times 1,165}{308 \times 14.5} \\ t &= 0.48 \text{ sec} \end{aligned}$$

See section on *Stopping time*.

## Stopping Time and Deceleration Rate

In the formulas used to determine dynamic torque, stopping time or "t" in seconds is a desired or assumed value selected on the requirements of the application. For optimum brake performance, a stopping or braking time of 1 second or less is desirable. Stop times between 2 and 3 seconds require test. *A brake of insufficient torque rating will lengthen the stopping time. This may result in overheating of the brake to a point where torque falls appreciably. The friction material could carbonize, glaze, or fail.*

After determining the braking torque required by a system, it may be necessary to recalculate the stopping time based on the actual brake size selected to insure that stopping time falls within the 0 to 2 second range. Any formula, where the stopping time is a variable, may be rewritten to solve for the new stopping time. For instance, the dynamic torque equation may be transposed as follows:

$$\begin{aligned} T_d &= \frac{W_k^2 \times N_B}{308 \times t} \\ \text{or, } t &= \frac{W_k^2 \times N_B}{308 \times (0.8 \times T_s)} \end{aligned}$$

Where, t = Stopping time, sec

$W_k^2$  = Total inertia reflected to brake, lb-ft<sup>2</sup>

$N_B$  = Shaft speed at brake, rpm

$T_s$  = Nominal static torque rating of brake, lb-ft

$T_d$  = Dynamic braking torque (0.8 x  $T_s$ ), lb-ft

0.8 = Constant (derating factor)

308 = Constant

Brakes are rated in static torque. This value is converted to dynamic torque, as done in the above equation, when stopping time is calculated. That is,

$$T_d = 0.8 \times T_s$$

Where,  $T_d$  = Dynamic braking torque, lb-ft

$T_s$  = Nominal static torque rating of brake, lb-ft

The approximate number of revolutions the brake shaft makes when stopping is:

$$\text{Revolutions to stop} = \frac{t \times N_B}{120}$$

Where, t = Stopping time, sec

$N_B$  = Shaft speed at brake, rpm

120 = Constant

The average rate of deceleration when braking a linearly moving load to rest can be calculated using the stopping time determined by the above formula and the initial linear velocity of the load.

$$a = \frac{V_i}{t}$$

Where, a = Deceleration, ft/sec<sup>2</sup>

$V_i$  = Initial linear velocity of load, ft/sec

t = Stopping time, sec

## RPM Considerations

The maximum allowable rotational speed of the brake should not be exceeded in braking. Maximum brake rpm as listed in the catalog is intended to limit stopping time to 2 seconds or less and insure friction disc stability. Brakes are not dynamically balanced because of the low brake inertia.

## Determining Required Thermal Capacity

### Thermal Ratings

When a brake stops a load, it converts mechanical energy to thermal energy or heat. The heat is absorbed by components of the brake. This heat is then dissipated by the brake. The ability of a given brake to absorb and dissipate heat without exceeding temperature limitations is known as thermal capacity.

There are two categories of thermal capacity for a brake. The first is the *maximum* energy the brake can absorb in one stop, generally referred to as a "crash" or "emergency" stop. The second is the heat dissipation capability of the brake when it is cycled frequently. *To achieve optimum brake performance, the thermal rating should not be exceeded. They are specified for a predetermined maximum temperature rise of the brake friction material.*

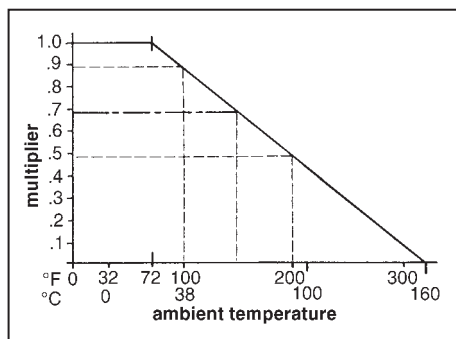
The ability of a brake to absorb and dissipate heat is determined by many factors, including the design of the brake, the ambient temperature, brake enclosure, position of the brake, the surface that the brake is mounted to, and the altitude.



The rating for a given brake is the maximum allowable. Longer brake life results when the brake has more thermal capacity than a power transmission requires. Much shorter life or brake failure will result when the thermal capacity rating is exceeded. Ratings are determined at an ambient temperature of 72°F (22°C), with the brake in a horizontal position, with a stopping time of 1 second or less, and with no external heat source such as a motor.

Ambient temperature will limit the thermal capacity of a brake. Temperatures above 72°F (22°C) require derating of the thermal capacity rating. For example, at 150°F, thermal capacity is reduced approximately 30% (see *Derating Thermal Capacity Chart*).

**CHART: Derating Thermal Capacity**



A temperature range of 20°F (0°C) to 104°F (40°C) is acceptable in most brake applications. Above 104°F also consider Class H coil insulation.

Thermal capacity ratings are determined with enclosures on the brake. Other customer furnished covers or cowls may affect a brake's thermal capacity. The effect on thermal capacity should be evaluated. In some cases, thermal capacity may be increased by use of air or liquid cooling. However, provisions must be made to prevent contaminating the brake internally.

Brakes with brass stationary discs are derated 25%.

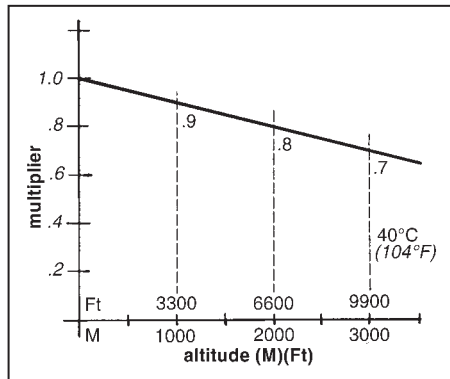
The mounting position of a brake will also affect thermal capacity. The specified ratings are for brakes mounted in a horizontal position with the solenoid plunger above the solenoid. For brakes mounted in a vertical position, or 15° or more from horizontal, the thermal capacity decreases due to friction disc drag. Brakes are modified for vertical operation to minimize the drag. 2- and 3- disc brakes are derated 25%, 4-disc brakes are derated 33%. 4- and 5-disc brakes are not recommended for vertical use.

Thermal capacity ratings are established without external sources of heat increasing the brake temperature. The surface that a brake is mounted to, such as an electric

motor or gear reducer, will limit the heat dissipation capability or thermal capacity of a brake. These sources of heat should be evaluated when determining the thermal requirements of the system for which the brake is selected.

High altitudes may also affect a brake's thermal capacity. Stearns brakes will operate to 10,000 ft above sea level at 72°F (22°C) ambient temperature. At 104°F (40°C) ambient temperature, altitude and temperature adjustments occur. Refer to *NEMA MG1-1993 Section 14* for additional information.

**CHART: Altitude & Thermal Capacity**



**Maximum Energy Absorption**

The thermal capacity of a brake is limited by the maximum energy it can absorb in one stop. This factor is important when stopping extremely high inertial loads at infrequent intervals. Such use of a brake requires extensive cooling time before it can be operated again.

The energy a brake is required to absorb in one stop by a given power transmission system is determined by the formulas below. *The calculated energy of the system should not exceed the maximum kinetic energy rating of the brake. System energy exceeding the brake's maximum rating may result in overheating of the brake to a point where torque falls appreciably. The friction material of the brake could glaze, carbonize or fail.*

In the case of linear loads, the energy that the brake must absorb is kinetic energy. It is determined by the formula:

$$KE_L = \frac{Wv^2}{2g}$$

KE<sub>L</sub> = Kinetic energy of linear moving load, lb-ft

W = Weight of load, lb

v = Linear velocity of load, ft/sec

g = Gravitational acceleration constant, 32.2 ft/sec<sup>2</sup>

In the case of rotational loads, the energy that the brake must absorb is also kinetic energy. It is determined by the formula:

$$KE_r = \frac{Wk_f^2 \times N_b^2}{5875}$$

Where, KE<sub>r</sub> = Kinetic energy of linear load, lb-ft

Wk<sub>f</sub><sup>2</sup> = Inertia of the rotating load reflected to brake shaft, lb-ft<sup>2</sup>

N<sub>b</sub> = Shaft speed at brake, rpm

5875 = Constant

In the case of overhauling loads, both the kinetic energy of the linear and rotating loads and the potential energy transformed into kinetic energy by the change in height or position must be considered when determining the total energy that the brake must absorb. The potential energy transformed to kinetic energy is determined by the formula:

$$PE = Ws$$

Where, PE = Change in potential energy, ft-lb

W = Weight of overhauling load, lb

s = Distance load travels, ft

Thus, the total energy to be absorbed by a brake stopping an overhauling load is:

$$E_T = KE_L + KE_r + PE$$

Example 10 illustrates how energy absorption for Example 8 would be determined for one stop.

**Example 10:** Determine the total energy absorbed by a brake in one stop.

In Example 8, the calculation for total energy to be absorbed would be as follows.

First, calculate the kinetic energy of the linear load. The load weight was 4,940 lb and the velocity is 19 ft/min or 0.317 ft/sec. The kinetic energy is:

$$KE_L = \frac{Wv^2}{2g} = \frac{4,940 \times 0.317^2}{2 \times 32.2}$$

$$KE_L = 7.71 \text{ ft-lb}$$

Next, calculate the kinetic energy for the rotational load. The motor inertia is 0.65 lb-ft<sup>2</sup> and the drum inertia reflected to the brake shaft speed is 0.0067 lb-ft<sup>2</sup>. The total rotational inertia at the brakemotor shaft is,

$$\begin{aligned} Wk_r^2 &= Wk_m^2 + Wk_d^2 \\ &= 0.65 + 0.0067 \\ Wk_r^2 &= 0.6567 \text{ lb-ft}^2 \end{aligned}$$

And the kinetic energy of the rotating components is,

$$\begin{aligned} KE_r &= \frac{Wk_r^2 \times N_B^2}{5,875} \\ &= \frac{0.6567 \times 1,150^2}{5,875} \\ KE_r &= 147.8 \text{ ft-lb} \end{aligned}$$

Now, calculate the potential energy converted to kinetic energy due to the change in position of the load while descending. A descending load is the most severe case since potential energy is transformed to kinetic energy that the brake must absorb. A 25 lb-ft brake was selected in Example 8. The 25 lb-ft static torque rating is converted to dynamic torque,

$$\begin{aligned} T_d &= T_s \times 0.8 \\ &= 25 \times 0.8 \\ T_d &= 20 \text{ lb-ft} \end{aligned}$$

Of this torque, 13.0 lb-ft is required to overcome the overhauling load as determined in Example 8. The dynamic torque available to decelerate the load is,

$$\begin{aligned} T_d &= T_t - T_m \\ &= 20 - 13 \\ T_d &= 7 \text{ lb-ft} \end{aligned}$$

The stopping time resulting from this dynamic torque is,

$$\begin{aligned} t &= \frac{Wk_r^2 \times N_B}{308 \times T_d} \\ &= \frac{0.691 \times 1,150}{308 \times 7} \\ t &= 0.369 \text{ sec} \end{aligned}$$

Where,  $Wk_r^2 = 0.690 \text{ lb-ft}^2$  is the total inertia the brake is to retard as determined in Example 8. With the load traveling at 19.0 ft/min or 0.317 ft/sec, the distance it will travel is,

$$\begin{aligned} s &= \frac{1}{2} vt \\ &= \frac{1}{2} \times 0.317 \times 0.369 \\ s &= 0.059 \text{ lb-ft} \end{aligned}$$

Wire the brake through a dedicated relay on overhauling loads where stop time or distance is critical. The potential energy transformed to kinetic energy in this distance would be,

$$\begin{aligned} PE &= W_s \\ &= 4,940 \times 0.059 \\ PE &= 291 \text{ ft-lb} \end{aligned}$$

Thus, the total energy to be absorbed by the brake would be,

$$\begin{aligned} E_T &= KE_r + KE_s + PE \\ &= 7.71 + 147.8 + 291 \\ E_T &= 447 \text{ ft-lb} \end{aligned}$$

The 25 lb-ft brake selected in Example 8 should be capable of absorbing 447 ft-lb of energy. The brake's maximum kinetic energy absorption rating should exceed this value.

Motor slip and test loads (150% of load) should be considered both in sizing and thermal calculations.

Brakes overheated in testing will require inspection before using in the standard application.

#### Heat dissipation in cyclic applications

In general, a brake will repetitively stop a load at the duty cycle that a standard electric motor can repetitively start the load. A brake's thermal capacity is based upon the heat it can absorb and dissipate while cycling. The thermal capacity ratings for brakes are listed in the specification tables for specific brake models.

The energy that a brake is required to absorb and dissipate by a given power transmission system is determined from the total inertia of the load and system, the rotating or linear speed of the load, and the number of times the load is to be stopped in a given time period. The rate of energy dissipation is expressed in horsepower seconds per minute (hp-sec/min). Other common units for energy rates, such as foot pounds per second (ft-lb/sec), can be converted to hp-sec/min using the conversion factors given in the *Technical Data* section.

Refer to the Thermal Capacity Chart for use above 104°F (40°C) ambient temperature.

For applications demanding optimum brake performance, such as high inertial loads and frequent stops, the rate of energy dissipation required by the system is determined using the following formulas. *The calculated rate of energy dissipation should not exceed the thermal capacity of the brake. Thermal dissipation requirements exceeding the brake's rating*

*may result in overheating of the brake to a point where torque falls appreciably. The friction material of the brake could glaze, carbonize or fail.*

For rotating or linear loads, the rate at which a brake is required to absorb and dissipate heat when frequently cycled is determined by the relationship:

$$TC = \frac{Wk_r^2 \times N_B^2 \times n}{3.2 \times 10^6}$$

Where, TC = Thermal capacity required for rotating or linear loads  
hp-sec/min

$Wk_r^2$  = Total system inertia reflected to brake, lb-ft<sup>2</sup>

$N_B$  = Shaft speed at brake, rpm

n = Number of stops per minute, not less than 1

$3.2 \times 10^6$  = Constant

The rotating speed enters the formula as a squared function. Therefore, thermal requirements are of particular significance in systems where the brake will be operated at high speeds.

$$TC = \frac{E_T \times n}{550}$$

Where, TC = Thermal capacity required for overhauling loads  
hp-sec/min

$E_T$  = Total energy brake absorbs, ft-lb

n = Number of stops per minute, not less than 1

550 = Constant

For overhauling loads, the rate at which a brake is required to absorb and dissipate heat when frequently cycled is determined by the relationship:

Example 11 illustrates how the required thermal capacity would be determined for Example 4.

**Example 11:** Determine the thermal capacity required to stop a rotating load frequently.

Referring back to Example 4, the flywheel will be stopped 20 times per minute. The required thermal capacity of the 6 lb-ft brake selected in this example is determined as follows.

The total inertial load the brake is to retard is 0.15 lb-ft<sup>2</sup>. The shaft speed of the brake motor is 1,800 rpm. Therefore, the required thermal capacity is,

$$\begin{aligned} TC &= \frac{Wk_r^2 \times N_B^2 \times n}{3.2 \times 10^6} \\ &= \frac{0.15 \times 1,800^2 \times 20}{3.2 \times 10^6} \end{aligned}$$

TC = 3.0 hp-sec/min

The 6 lb-ft brake selected in Example 4 should have a thermal capacity rating equal to or greater than 3.0 hp-sec/min.

A brake with greater thermal capacity will result in greater wear life.

If productivity is to be improved in Example 4 by increasing the cycle rate, the maximum number of stops per minute is determined by the rated thermal capacity of the brake. If the 6 lb-ft brake selected in Example 4 has rated thermal capacity of 9 hp-sec/min, the maximum permissible stops per minute would be determined by transposing the above formula to,

$$\begin{aligned}n_{\max} &= \frac{TC_{\text{rated}} \times (3.2 \times 10^6)}{Wk_f^2 \times N_{\text{M}}^2} \\ &= \frac{9 \times (3.2 \times 10^6)}{0.15 \times 1,800^2} \\ n_{\max} &= 59 \text{ stops/min}\end{aligned}$$

So, the brake could be operated up to 36 times per minute without exceeding its ability to absorb and dissipate the heat generated by the frequent stops and meet the maximum solenoid cycle rating. *Cycle rate cannot exceed the solenoid cycle rate appearing in the catalog.*

## Electrical Considerations

Please see page 118.

## Environmental Considerations

Brakes with standard open enclosures when mounted on NEMA C-face motors are drip-proof, except where a manual release lever has a clearance opening in the housing. The standard enclosure is commonly used on open, drip-proof and enclosed motors operating indoors or in protected outdoor environments.

NEMA 4, IP 54 enclosures are available on most brake models and are commonly used for outdoor installations, or where there are moist, abrasive or dusty environments. Standard and severe duty NEMA 4 enclosures are available in some brake series.

Brakes of various styles and materials for above or below deck on ships and dockside installation are available. The materials are usually specified by the ship designers or Navy specification MIL-B-16392C. Brakes are also available to meet MIL-E-17807B for shipboard weapon and cargo elevators. Refer to *Marine, Maritime and Navy Catalog* pages.

Brakes Listed by Underwriters Laboratories, Inc. and certified by Canadian Standards Association are available for use in hazardous locations, including Class I, Groups C and D; and Class II, Groups E, F and G. *Motor-mounted*, hazardous-location electric disc brakes are listed only when mounted to a Listed hazardous-location motor of the same Class and Group at the motor manufacturer's facility, and where the combination has been accepted by UL or CSA. This procedure completes the hazardous duty assembly of the brake. However, foot-mounted hazardous-location disc brakes that are Listed are also available for coupling to a motor, and may be installed by anyone.

Hazardous-location brakes are *not* gasketed unless indicated in the brake description. The enclosure prevents flame propagation to the outside atmosphere through controlled clearances. Protection from weather and washdowns must be provided. If the brake is used in a high humidity or low temperature environment, internal electric heaters should be used.

Standard ambient temperature range for brake operation is from 20°F (0°C) to 104°F (40°C). Refer to *Thermal Ratings* section for brake operation at higher ambient temperatures. Heaters may be available for brake operation at low ambient temperatures and high humidity environments. Ductile iron construction and heaters are recommended for prolonged cold climate use.

## Conclusion

The spring-set, electrically released disc brake is an important accessory to electric motors used in cycling and holding operations. It is available in a wide variety of enclosures. In most applications, a brake requires no additional wiring, controls or auxiliary electrical equipment. It is simple to maintain since the replaceable items, the friction discs, can be easily changed.

Many spring-set motor brakes are equipped with features such as simple wear adjustment to provide optimum friction disc life, visual wear indicator, torque adjustment and manual release. Featured on some types of brakes is automatic adjustment to compensate for friction disc wear. This feature eliminates the need for periodic adjustment and is advantageous in remote or inaccessible locations. Not all of the brakes on the market provide all of these features, but there are many Stearns motor brakes offering these features.

Care should be exercised in properly selecting a brake giving due consideration to torque as well as environment and thermal requirements.

On applications where all the pertinent information is not available, selection must be based on previous experience of the designer and user, as well as the brake manufacturer, and should be confirmed by tests under actual operating conditions. If the brake is selected with reasonable allowances made for extremes in operating conditions, it will perform its task with little attention or maintenance.

# Formulas

The following formulas cover the basic calculations used in brake application engineering.

Required	Given	Formula
Full load motor torque ( $T_{fimt}$ ), lb-ft	Horsepower (P), hp Shaft speed (N), rpm 5252 = Constant	$T_{fimt} = \frac{5252 \times P}{N}$
Average dynamic braking torque ( $T_d$ ), lb-ft	Total inertia reflected to brake ( $Wk^2$ ), lb-ft <sup>2</sup> Shaft speed at brake (N), rpm Desired stopping time (t), seconds 308 = Constant	$T_d = \frac{Wk^2 \times N}{308 \times t}$
Static torque (T), lb-ft	Force (F), lb Pulley or drum radius, (R), ft	$T = F \times R$
Overhauling dynamic torque reflected to brake shaft ( $T_o$ ), lb-ft	Weight of overhauling load (W), lb Linear velocity of descending load (V), ft/min Shaft speed at brake (N), rpm 0.158 = Constant	$T_o = \frac{0.158 \times W \times V}{N}$
Static torque of brake ( $T_s$ ), lb-ft (General Guideline)	Dynamic braking torque required ( $T_d$ ), lb-ft 0.8 = Constant (derating factor)	$T_s = \frac{T_d}{0.8}$
Inertia of rotating load reflected to brake shaft ( $Wk_b^2$ ), lb-ft <sup>2</sup>	Inertia of rotating load ( $Wk_L^2$ ), lb-ft <sup>2</sup> Shaft speed at load ( $N_L$ ), rpm Shaft speed at brake ( $N_B$ ), rpm	Equivalent $Wk_b^2 = Wk_L^2 \left( \frac{N_L}{N_B} \right)^2$
Equivalent inertia of linear moving load reflected to brake shaft ( $Wk_w^2$ ), lb-ft <sup>2</sup>	Weight of linear moving load (W), lb Linear velocity of load (V), ft/min Shaft speed at brake ( $N_B$ ), rpm $2\pi$ = Constant	Equivalent $Wk_w^2 = W \left( \frac{V}{2\pi N_B} \right)^2$
Kinetic energy of rotating load, ( $KE_r$ ), ft-lb	Inertia of rotating load reflected to brake shaft ( $Wk_b^2$ ), lb-ft <sup>2</sup> Shaft speed at brake ( $N_B$ ), rpm 5875 = Constant	$KE_r = \frac{Wk_b^2 \times N_B^2}{5875}$
Kinetic energy of linear moving load ( $KE_l$ ), ft-lb	Weight of load (W), lb Linear velocity of load (v), ft/sec g = Gravitational acceleration constant, 32.2 ft/sec <sup>2</sup>	$KE_l = \frac{Wv^2}{2g}$
Change in potential energy (PE), ft-lb	Weight of overhauling load (W), lb Distance load travels (s), ft	$PE = Ws$
Total energy absorbed by brake ( $E_T$ ), ft-lb	Total linear kinetic energy, ( $KE_L$ ), ft-lb Total rotary kinetic energy ( $KE_R$ ), ft-lb Potential energy converted to kinetic energy (PE), ft-lb	$E_T = KE_L + KE_R + PE$
Thermal capacity required for rotational or linear moving loads (TC), hp-sec/min	Total system inertia reflected to brake shaft ( $Wk_T^2$ ), lb-ft <sup>2</sup> Shaft speed at brake ( $N_B$ ), rpm Number of stops per minute (n), not less than one $3.2 \times 10^6$ = Constant	$TC = \frac{Wk_T^2 \times N_B^2 \times n}{3.2 \times 10^6}$
Thermal capacity required for overhauling loads (TC), hp-sec/min	Total energy brake absorbs ( $E_T$ ), ft-lb Number of stops per minute (n), not less than one 550 = Constant	$TC = \frac{E_T \times n}{550}$
Linear velocity, ft/min	N = rpm Diameter (D), ft	$V = N\pi D$