

9. After usage, the brake interior will contain burnt and degraded friction material dust. This dust must be removed before servicing or adjusting the brake.
DO NOT BLOW OFF DUST using an air hose. It is important to avoid dispersing dust into the air or inhaling it, as this may be dangerous to your health.
 - a) Wear a filtered mask or a respirator while removing dust from the inside of a brake.
 - b) Use a vacuum cleaner or a soft brush to remove dust from the brake. When brushing, avoid causing the dust to become airborne. Collect the dust in a container, such as a bag, which can be sealed off.
10. Manual release does not reset automatically. When release has been used, it must be manually reset before operating the brake electrically.
11. Do not lubricate any parts of the brake.
12. Do not adjust brake torque. The nominal static torque is factory pre-set and should not be altered.

General Description

The 82,000 Series is a spring-set, electrically released disc brake for controlled stopping and holding of a load. It is self-adjusting for friction disc wear and mounts directly to a NEMA C-face motor with 12-1/12" (AK) register and an 11" (AJ) bolt circle, machine with same register or Stearns foot mounting bracket.

Operation

Each brake assembly consists of three or four molded friction discs fitted over a splined hub attached to and driven by a motor shaft. The friction discs are located alternately between an endplate, stationary disc(s) and a pressure plate. The stationary disc(s) and pressure plate are restrained from rotating through splines in the endplate. A solenoid, lever system, and a pressure spring are located on a support plate. A fitted housing, attached to the endplate, encloses the working parts.

The release of the brake occurs when the solenoid coil is energized causing the solenoid plunger to travel a specified distance and, through the lever system, overcome the pressure spring force. The lever system in its travel disengages from the pressure plate which permits the friction discs to rotate when the motor is energized. When the motor and solenoid coil are de-energized the pressure spring moves the lever system toward the pressure plate, applying a force to stop the rotation of the friction discs.

The brake is provided with a manual release lever. When the motor is off and the load is to be moved without energizing the motor, the manual release lever should be used. This removes the holding torque from the motor shaft, allowing it to rotate manually. The brake will remain in the manual release position until the release lever is returned manually to its set position. A brake interlock switch is designed into the brake to prevent the motor from driving through a set brake. Depending on model number this switch may be either a microswitch or proximity switch.

I. Installation Procedure

(See Figure 1)

Note 1: For optimum results, position brake so that solenoid plunger (29) is above the frame (79) when installed. The brake may be mounted horizontally with the solenoid plunger above the frame, or if specifically modified, vertically above or vertically below the motor. **If motor is to be ceiling or horizontally wall mounted, brake must be oriented so the brake plunger is above frame when motor is installed.**

- A. Remove terminal box cover and remove excess wire from terminal box.
- B. Unscrew housing screws and washers (15 and 15W) and remove housing (7).
- C. Depress solenoid plunger (29) and wire tie plunger to the solenoid frame (79).
- D. Remove entire support plate assembly (142) by evenly unscrewing and removing screws and lock washers (142S and 142W).
- E. Remove pressure plate (5), friction discs (4) and stationary disc(s) (3).

Note 2: Vertically mounted brakes will have separator springs. Note color coded sequence of springs, or refer to Instruction P/N 8-078-932-06 for proper assembly.

- E. Attach endplate assembly (2) to mounting face of motor using four socket head cap screws (not supplied) torque per manufacturer's specifications. (Head of mounting bolts must not project above friction surface.)
- F. Position hub (16) and key (not supplied) on the motor shaft so that face of hub will protrude outboard approximately 3/32" (2 mm) to 1/8" (3 mm) beyond the face of the last outboard friction disc. (Position may be determined by assembling friction discs and stationary disc(s) onto hub, noting hub position, and removing discs.) If brake utilizes vertical mounting springs, do not assemble them when measuring for hub location. On some applications, particularly in vertical position, a set screw dimple drilled into shaft is recommended. Tighten two hub set screws (16S).

Torque set screws to 620 in-lb (70 Nm)

- G. Assemble friction discs and stationary disc(s) alternately. Pressure plate completes disc pack assembly.
- Note 3:** Friction discs should be free to slide on hub and the stationary disc(s) and pressure plate should be free to slide in endplate.

- H. Mount support plate assembly drawing screws down evenly. Be sure the assembly is mounted with the solenoid plunger above the solenoid frame on horizontally installed brakes. (See *Installation*, Note 1.) Torque screws with lock washers to 85-100 lb-in.

Note 4: If the self-adjust assembly has allowed the mechanism to over-adjust, it will have to be reset before mounting the support plate. In this case the lever arm (17) throat will be near, or touching, the pinion (32) teeth. Loosen pressure spring nut (19) until pressure spring (11) is free. Mount support plate and retighten spring nut until

snug. Torque to 50 lb-ft (68 Nm). Lift plunger to maximum travel and release.

- I. Remove plunger to frame tie-down.
- J. Manually depress solenoid plunger into the solenoid frame and release. Repeat this process several times to set solenoid air gap. (Check *Self-adjust Maintenance* Section for proper air gap measurement or corrective action for loss of gap.)
- K. Connect all internal electrical hardware. (See Figure 4.)
- L. Check that friction disc rotates freely when the solenoid plunger is held firmly against the solenoid frame. If binding or sticking occurs recheck Steps E, F & G.
- M. Replace housing, screws, lock washers, and manual release knob. On DTWP install gaskets provided.

II. Electrical Connection of Brake

CAUTION 1: Inverter Motor and Special Control Systems. This brake contains either a single phase AC coil or DC coil that requires instantaneous power within $\pm 10\%$ of rating at the coil. A separate power source is required when this brake is used in conjunction with a motor or control system that limits voltage or current input (i.e. inverter motors) or causes a ramping of the power supply.

CAUTION 2: Class H coils with terminals. Do not bend lead wire crimp connection as this causes a fatigue in the metal which may break under vibration.

Note 1: Brake coil connections described here cover common motor connections. For non-standard motor or control connection, contact respective supplier or Stearns Division.

Note 2: Be sure lead wires to coil are not tight or pinched, and that leads will not be rubbed by friction disc, trapped between solenoid plunger and frame, caught between lever arm and endplate, or by linkage.

Note 3: On brake with space heater, connect to appropriate power source. Heater is to be energized continuously, even during storage, if rusting may occur.

Note 4: For electrical release of brake, i.e., for solenoid to properly pull-in, apply full rated solenoid coil voltage by the closing of a switch. DO NOT increase voltage to coil slowly as this would cause the solenoid pull-in winding to overheat due to the extended pull-in time.

A. AC coils

On single voltage coils, connect coil to any two leads on three-phase motors of the same voltage as the brake. Refer to brake nameplate and coil number for correct voltage and frequency. The brake can also be wired to external switch contacts providing proper voltage other than that used to control the motor. Normally, the motor and brake contacts are interlocked.

B. Connecting Space Heaters

Space heaters should be powered from a power source separate from the brake circuit to allow for continuous operation, even when the brake/motor power supply is shut off. Supply power must be 50/60 hz frequency.

Note: Heaters that are connected in series (figure 2) must have resistance measurements that are within 5% of each other.

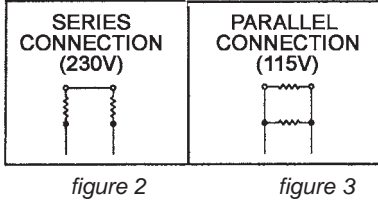


figure 2

figure 3

TERM BLOCK = LEADWIRES	TERM BLOCK = LEADWIRES
1 = H1	1 = H1 YELLOW
2 = H2	2 = H2 YELLOW
3 = S1	3 = S1 BLUE
4 = S2	4 = S2 BROWN
5 = S3	5 = S3 SPARE
6 = B1	6 = B1 BLACK
7 = B2	7 = B2 BLACK
8 = 1	8 = 1 RED
9 = 2	9 = 2 RED
	10 = P1 BLK-COMMON
	11 = P2 BLK-N.O.

9-pin terminal

11-pin terminal

Figure 4

III. General Maintenance

Inspection of brake is recommended at 100-125 hours of running time. Inspection should include air gap setting, switch actuation gaps, condition of disc pack components and seal points.

Warning! Any mechanism or load held in position by the brake should be secured to prevent possible injury or damage to equipment before any disassembly of the brake is attempted or the manual release knob or lever is operated on the brake. Observe all cautions listed at the beginning of this manual.

Note 1: Gaskets should be inspected each time the housing is removed. Gaskets with cuts, tears, imbedded foreign material, or have *hardened* due to aging, must be replaced.

Note 2: Gasketed surfaces must be clean from all industrial fluids and particles of dirt that could interfere with a good seal of the brake.

Note 3: Do not lubricate any part of the brake as this may cause a malfunction and/or a loss of torque.

A. Coil replacement

1. Unscrew manual release knob (148), housing screws (15) and washers (15W) and remove housing.
2. Disconnect coil (12A) from circuit.
3. Remove solenoid link screw (13C) and lift plunger (29) from frame (79).
4. To remove non-metallic plunger guides (82) remove screws (84) and lock

washers (84W). Insert shim stock or other thin gauge material at top center of coil between coil and solenoid frame. Push to release lock tab while lifting up on plunger guide. Repeat for other plunger guide.

5. Slide coil (12A) out from solenoid frame (79) in the direction of the coil leads or terminals. If necessary, tap coil lightly with a soft hammer. If solenoid coil had burned out, be sure to remove all foreign material from the solenoid plunger (29) and solenoid frame.
6. Install new coil (12A) into solenoid frame with same relative position as old coil. Install coil with lead wires upward on outboard side of solenoid.
 - a) Assemble new plunger guides (82) by inserting into position and pushing down until lock tab snaps under top bar of solenoid frame. On coil (12A) with terminals, check that lock tab face is flush with inside surface of guide. Install plunger guide screws (84) and lock washers (84W) if used.
7. Reassemble plunger into solenoid by reversing Steps 3, 2 and 1.
8. Depress solenoid plunger and release as in Step J of the *Installation Procedure*.

B. Renewal of friction discs

Notes: Friction Disc Wear:
(see wear indication on page 7)

1. Follow Steps A through D of the *Installation Procedure*.
2. Follow Steps G through M of the *Installation Procedure*.

C. Self-adjust maintenance

The solenoid is factory set with a 1-3/8" (35 mm) to 1-1/2" (38 mm) air gap, and requires no resetting, even when changing friction discs. The air gap is determined by the position of the wrap spring stop (76). The air gap is measured between mating surfaces of plunger and solenoid frame. See Figure 1.

Should gap have changed, inspect position of the wrap spring stop and adjust air gap as follows:

1. Tang of wrap spring (71) must be below and must make contact with wrap spring stop when solenoid lever (28) is manually lifted to a maximum position. If wrap spring stop (76) is bent outward, allowing tang to bypass it, rebend to a square position and assemble correctly.
2. If (stop) screws (76S) had been loosened and retightened, the air gap may require resetting. The air gap may be increased by raising slightly, or decreased by lowering slightly, wrap spring stop (76). Be sure to retighten (stop) screws (76S). Manually lift plunger to maximum travel and release. Depress plunger, manually or electrically, and allow it to snap up. Repeat several times, then recheck air gap.
3. Should air gap have disappeared the solenoid lever and pinion assembly (8) may have become contaminated due to lubrication or residue as a result of overheating of brake. Replace self-adjust pinion assembly.

4. Check condition and position of pinion and rack [part of lever arm assembly (17)]. If pinion shows excessive wear, replace entire solenoid lever and pinion assembly (8) following above procedure. If rack shows excessive wear remove and replace lever arm assembly as follows:

- a) Loosen pressure spring nut until pressure spring is free. Remove nut, spring and pressure spring spacer (134).
- b) Remove retaining ring (152R) and washer type bearing (138A) from spring stud pivot pin (152P) and remove pin and spring stud (152).
- c) Remove retaining ring (131R), bearing type washers (138), pivot pin (130) and lever arm (17). Remove two set screws (17S) and eccentric sleeve (17E) from lever arm.
- d) Install new lever arm following Steps c and b in reverse order. Do not tighten pressure spring nut, but snug the two set screws (17S) of eccentric sleeve (17E) with hole in line with set screws.

Upon completion of installation of new lever arm it will be necessary to check and/or adjust the backlash between the rack and pinion.

- a) The backlash at either end of the rack should not exceed .003" (.08 mm) and the movement of the rack over the pinion should be smooth and free of binding. Check as follows:
- b) Lift solenoid plunger to its maximum position and advance lever arm forward toward the pinion. Position the lever arm so the first two teeth of the rack will be engaged with one tooth of the pinion when the plunger is resealed against the solenoid frame. The one tooth of the pinion should be over the centerline of the solenoid lever pivot pin.
- c) Holding the plunger in the seated position move lever arm back and forth and determine backlash.
- d) Lift plunger to its maximum position and advance lever arm until the last two teeth of the rack are engaged with one tooth of the pinion, when the plunger is resealed against the solenoid frame. The one tooth of the pinion should be over the centerline of the solenoid lever pivot pin.
- e) Holding the plunger in the seated position move lever arm back and forth and determine backlash.
- f) To adjust backlash loosen lever arm set screws (17S). To reduce backlash rotate lever arm eccentric sleeve (17E) counterclockwise. To increase backlash rotate eccentric sleeve clockwise.
- g) After backlash adjustment has been completed, tighten lever arm set screws to 87 in-lbs (10 Nm) torque.

Do not tighten spring nut until support plate assembly is mounted on the endplate. Follow Steps H through J and see Note 5 of *Installation Procedure*. Adjust solenoid air gap following Step 2 of *Self-adjust Maintenance*.

Complete assembly of brake by following Steps K through M of *Installation Procedure*.

IV. Troubleshooting

A. If brake does not stop properly, coasts, or overheats:

1. Check that manual release lever is not in released mode.
2. Check for excessively worn, charred or broken friction discs.
3. Check that hub has not loosened and shifted on motor shaft.
4. Check that friction discs slide freely over hub. Clean hub and/or file burrs and nicks if required.
5. Check that stationary disc(s) and/or pressure plate can move freely in endplate and that they are not warped from overheating.
6. Check endplate splines for wear in the areas where stationary disc(s) and/or pressure plate make contact. Grooves in splines can prevent free disc movement and result in torque loss or friction disc breakage.
7. Check that pressure spring nut (19) is tight against the spacer.
8. Check solenoid air gap and other Items per *Self-adjust Maintenance*, Section III-C. Adjust if necessary.
9. Check that solenoid linkage can move freely. It requires approximately 28 lbs (12.7 kg) to seat solenoid plunger to frame on a correctly functioning brake.
10. Check voltage reading at coil terminals against coil voltage rating.
11. Check that brake coil is energized at the same time as, or prior to, motor and de-energized at the same time, or after, motor.
12. If stopping time exceeds 1 second, or if the application requires more than five stops per minute, check the thermal requirements to stop load against the thermal capacity of the brake.
13. If throat of lever arm (17) is near or touching pinion teeth (32), friction discs (4) are to be replaced.

B. If brake hums, solenoid pulls in slowly, or coil burns out:

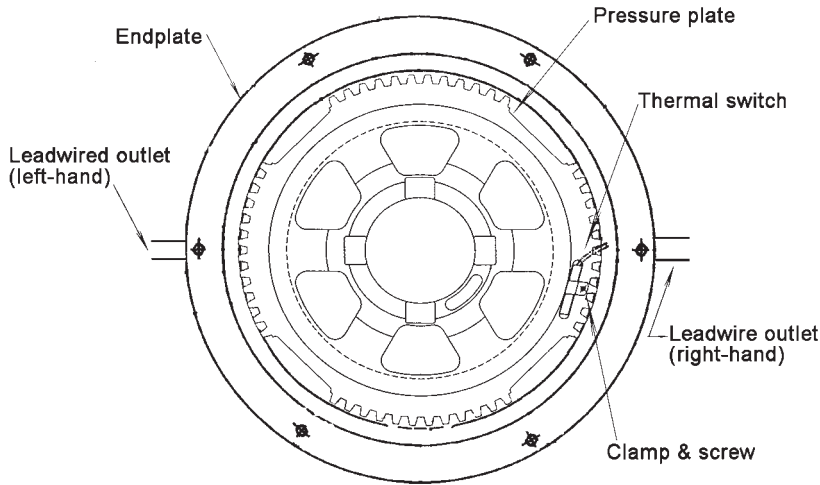
1. Check Items A-9 and A-11.
2. Check if shading coils are broken.
3. Check for worn plunger guides or if plunger rubs on solenoid frame laminations.
4. Check for worn solenoid plunger and frame.
5. Check if solenoid is dirty.
6. Check if solenoid mounting screws have loosened.
7. Check for worn or binding linkage. For normal pressure required to seat solenoid plunger to frame see A-10.
8. Check for excessive voltage drop in motor line when motor is started. Check wire gauge of supply line against motor starting current and solenoid inrush current. Measure voltage drop at solenoid coil terminals during maximum inrush

current condition. To accomplish this, insert a block of wood, or other non-magnetic materials, between solenoid plunger and frame. Block thickness should approximately equal solenoid air gap. Energize motor and brake simultaneously, take reading and immediately shut down. This is to prevent motor, brake, or solenoid burnup.

C. If brake is noisy during stopping and/or friction discs shatter:

1. Check for worn motor bearings allowing shaft runout.
2. On foot mounted brakes, recheck alignment.
3. On either style brake, check hub position on shaft. The outboard face of hub should protrude 3/32" (2 mm) to 1/8" (3 mm) beyond face of outboard friction disc.
4. On motor mounted style, check motor shaft endfloat. It should not exceed 0.020" (.5 mm).
5. On motor or machine mounted style, check concentricity of endplate and C-face register. See *Installation Procedure*, Note 2.

Thermal Switch

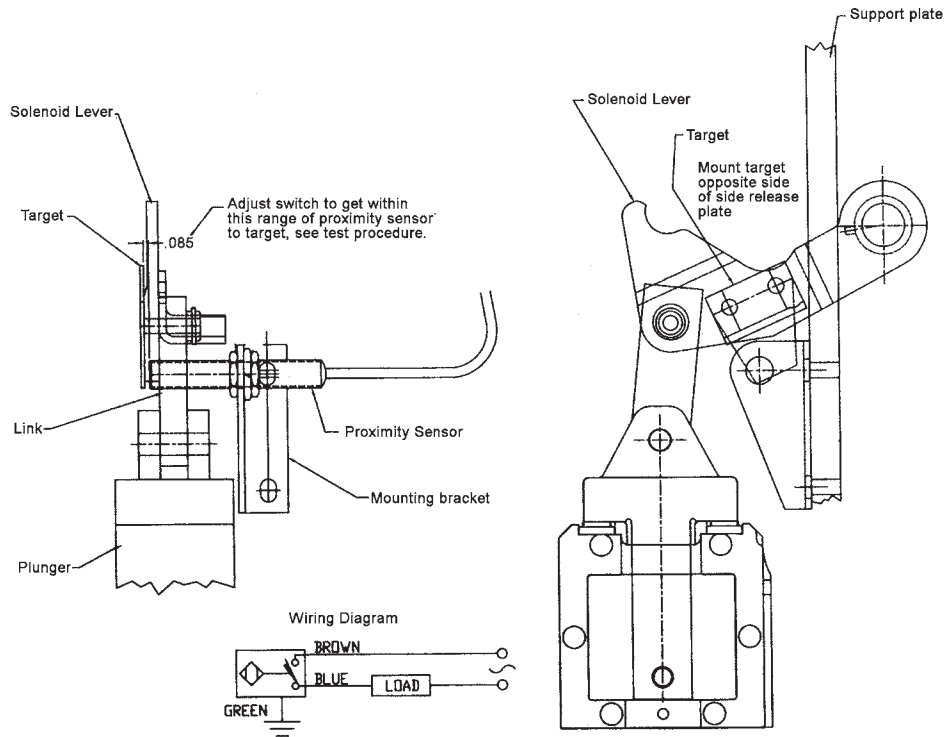


1. Locate the pressure plate in the endplate so that the thermal switch is 15° below horizontal for right-hand leadwire outlet, or 15° above horizontal for left-hand leadwire outlet.
2. Route wires so that they do not interfere with the disc pack movement.
3. Thermal switch must be tightly clamped to the pressure plate.

Proximity Switch

NOTES:

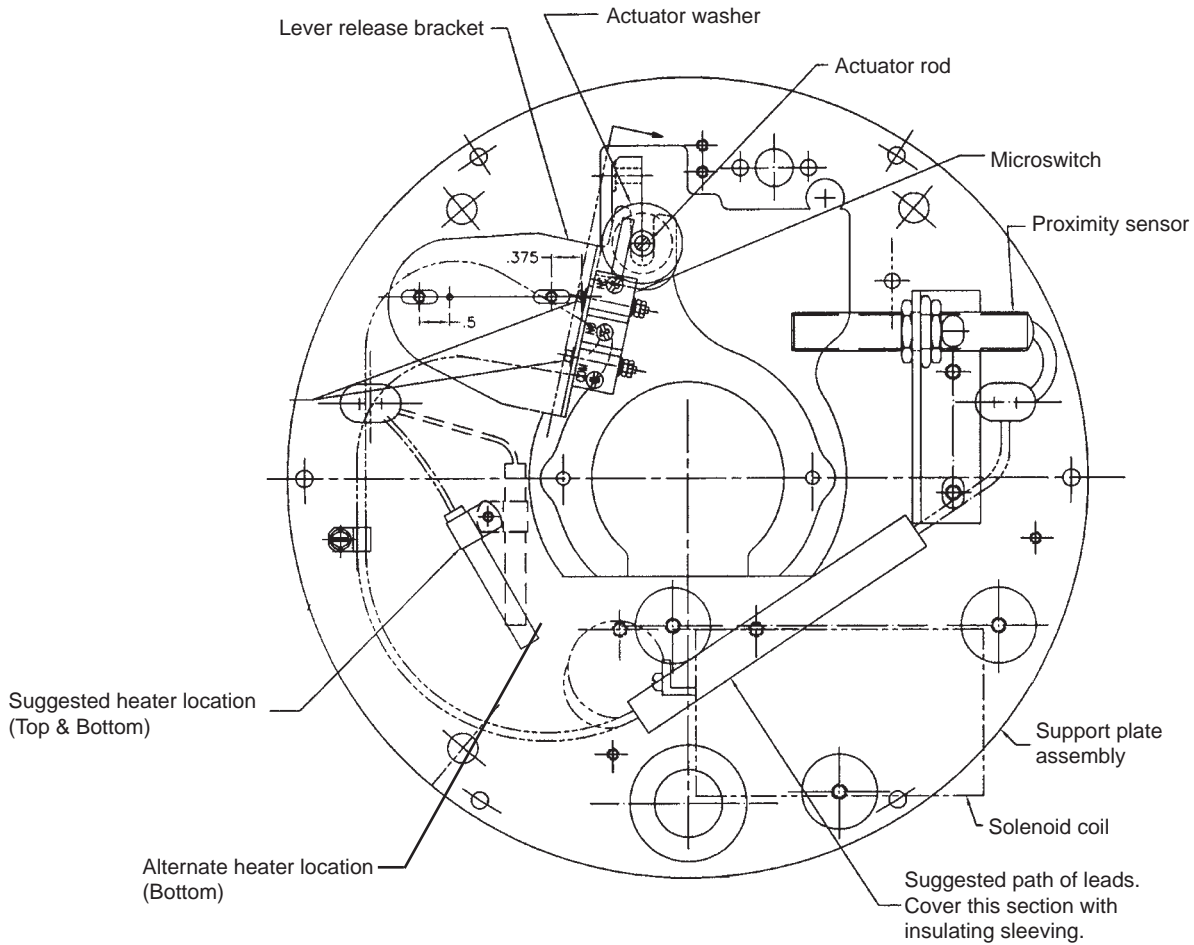
1. Assemble switch & brackets as shown.
2. Mount this assembly on two tapped holes in the support plate used for plunger support on vertical brakes.
3. Use threadlocker to secure bracket mounting screws and one side of proximity switch mounting nut.



Testing procedures (Proximity switch):

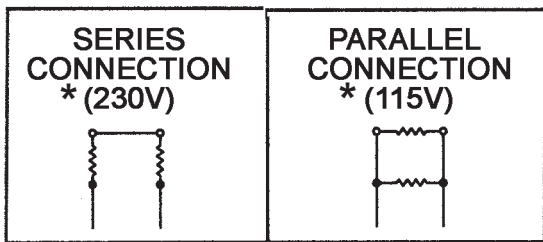
1. Depress plunger until it is seated against the frame.
2. Sensor face should be within .080-.090" (2.0 mm-2.3 mm) of target, use gauge block or shim.
3. Use a light bulb of 20 watts or greater, and of the same voltage rating as the line voltage. Put bulb in series with switch. (Either lead may be use). The sensor has a 20-250V AC input rating.
4. Switch does not need to be grounded.
5. Light emitting diode (LED) illuminates when power is supplied and the sensor is within range of target. Air gap should be between 1/4"-5/16" (6.3 mm-7.9 mm).
6. If air gap can not be achieved, loosen the two locking screws. Slide bracket upward to increase or down to decrease air gap. Sensor face should be within .085" +/- .015 (2.16 +/- .38 mm) of target. Tighten screws to 45-55 in-lb., then repeat step 5.

Support Plate Wire Routing



1. Heaters are wired in series or parallel depending on heater voltage.
2. Brake release indicator switch has NO/NC/COM terminals that are wired to the brake terminal block as shown in Step III-B, Figure 4.

Space heater connection



* at 50/60 Hz

Heater Connection by Model Number

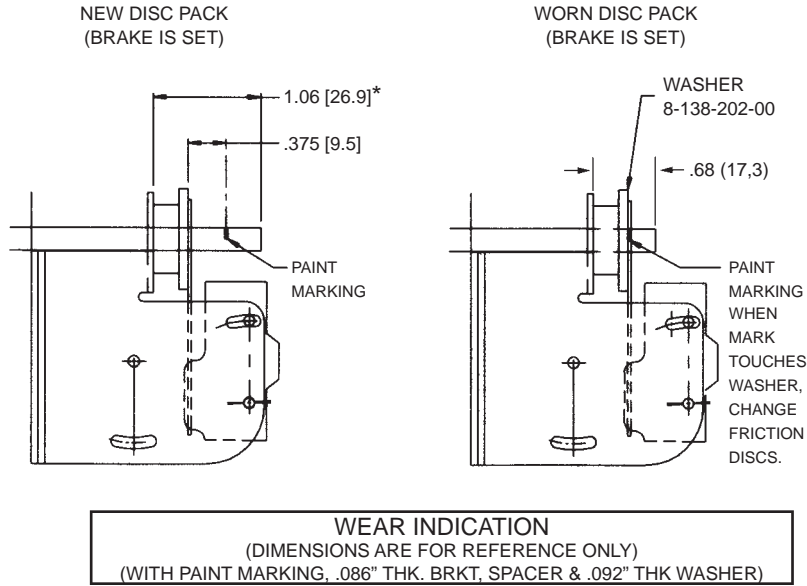
Series	Parallel
1-082-042-03-005	1-082-042-02-101
1-082-042-03-006	1-082-042-02-105
1-082-042-03-007	1-082-042-02-121
1-082-042-03-008	1-082-042-02-122
1-082-042-03-023	1-082-042-02-166
1-082-042-03-024	1-082-042-02-167
1-082-042-03-025	1-082-042-03-001
1-082-042-03-026	1-082-042-03-002
1-082-042-02-170	1-082-042-03-003
1-082-042-02-171	1-082-042-03-004
1-082-052-03-003	1-082-042-03-009
1-082-052-03-004	1-082-042-03-010
1-082-052-03-005	1-082-042-03-011
1-082-052-03-006	1-082-042-03-012
1-082-052-03-007	1-082-052-03-011
1-082-052-03-008	1-082-052-03-012
1-082-052-03-009	
1-082-052-03-010	
1-082-052-02-073	
1-082-052-02-074	

Visual Wear Indication

The disc pack should be replaced when the indicator rod has moved 0.375" (9,5mm). On these brakes, this is also visually marked with a paint line (see illustrations).

The disc pack wear that will have occurred at this point is approximately 0.150" (3,8mm).

For reference, the switch shown in these diagrams is not for wear indication - it is a brake release indicator switch.



Brake Release Indicator Switch

The brake release indicator switch should be positioned as shown above.

Copyright© 2005-2014 by Rexnord Corporation

Rexnord Corporation, Stearns Division, 5150 S. International Dr., Cudahy, Wisconsin 53110, (414) 272-1100 Fax: (414) 277-4364
www.stearns.rexnord.com