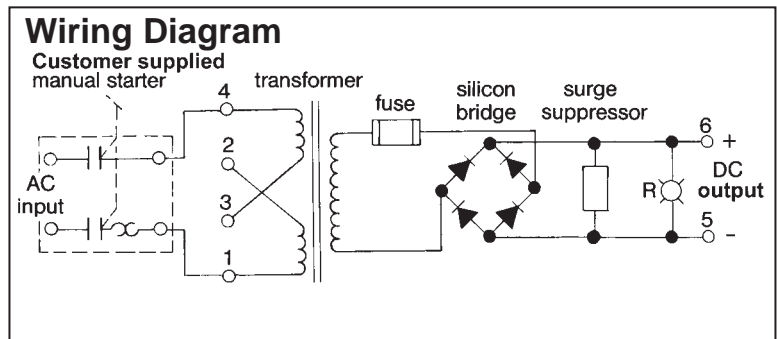


Rectifier Controls

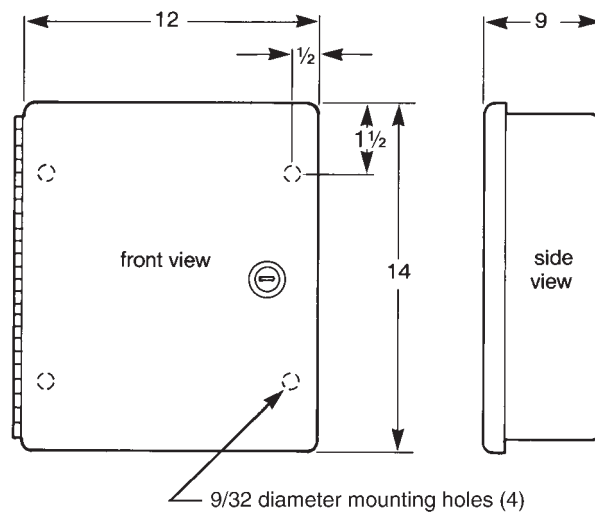
[BACK TO TABLE OF CONTENTS](#)

Series 12000 Silicon Rectifiers

Heavy duty single-phase rectifier for use with Stearns heavy duty clutches and brakes. Incorporates a solid-state silicon bridge circuit for high efficiency and excellent voltage regulation. Available with outputs of 115 or 230 Vdc; power ratings of up to 1150 watts. A transformer provides isolation and dual AC input capability... 115/230 or 230/460 Vac. Each rectifier is housed in a NEMA 1 steel cabinet.



Dimensional Data



Performance Data

Stock Number	AC Input (50/60 Hz Single-Phase)		DC Output		
	Volts	Amps	Volts	Amps ^①	Watts
4-1-12102-00	115/230	2.5/1.3	115	2.0	230
4-1-12104-00	115/230	6.4/3.2	115	5.0	575
4-1-12202-00	230/460	1.3/0.7	115	2.0	230
4-1-12205-00	230/460	3.2/1.6	115	5.0	575
4-1-12302-00	115/230	5.2/2.6	230	2.0	460
4-1-12305-00	115/230	13.0/6.5	230	5.0	1150
4-1-12402-00	230/460	2.6/1.3	230	2.0	460
4-1-12405-00	230/460	6.4/3.2	230	5.0	1150

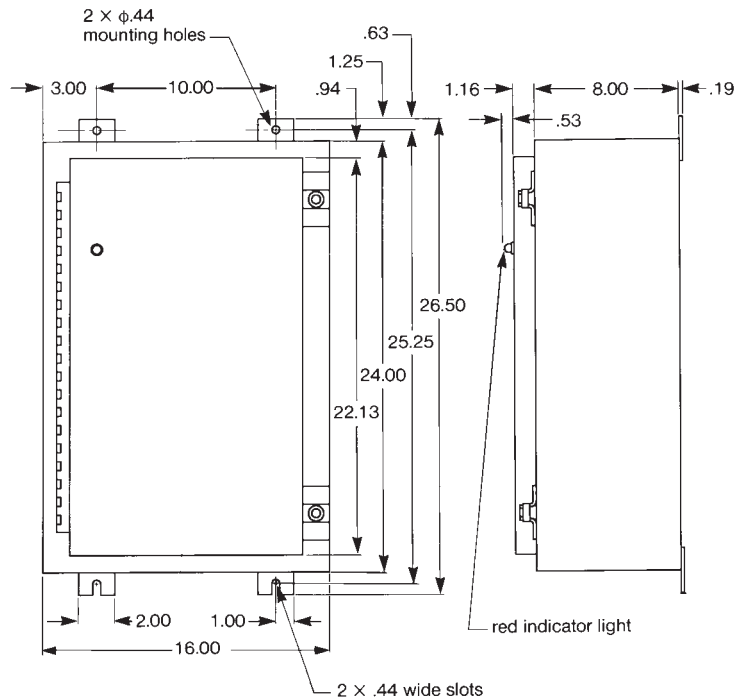
^①Based on ambient temperature of 104°F.

Forcing Circuits

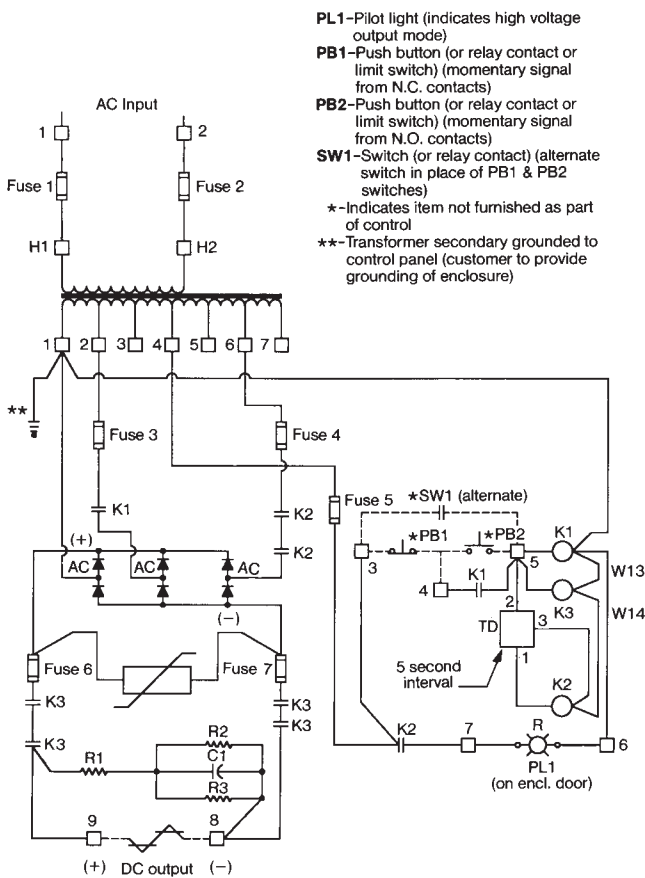
Combination forcing circuit and rectifier for use with Stearns SCE spring-set clutches and SCEB spring-set brakes. Suitable for use with all sizes from 800 through 1600. Provides the momentary forcing voltage necessary to release a clutch or brake. Units are available for 115, 208, 230, 460 and 575 Vac, 50/60 Hz input. The output of each unit is a forcing voltage of 230 Vdc which, after a 5 second delay, drops to a holding voltage of 70 Vdc. Circuitry includes surge suppression network to protect coil and minimize contact arcing. Complete circuit is housed in a NEMA 12 enclosure.



Dimensional Data



Wiring Diagram



Performance Data

Stock Number	AC Input Voltage 50/60 Hz	DC Input			Approx. Shipping Wt. (lbs.)
		Forcing Volts	Holding Volts	Watts	
4-3-00115-12	115 Vac	230	70	1000	60
4-3-00208-12	208 Vac	230	70	1000	60
4-3-00230-12	230 Vac	230	70	1000	60
4-3-00460-12	460 Vac	230	70	1000	60
4-3-00575-12	575 Vac	230	70	1000	60